

PLA 8311 LED interface middle, 1 pc

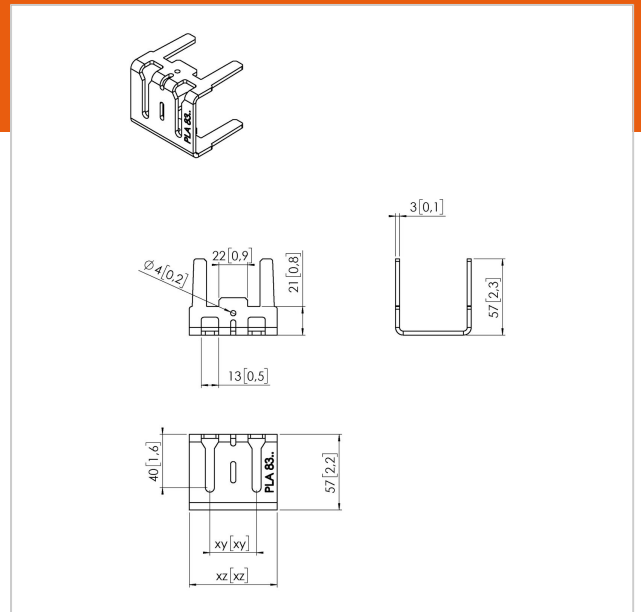
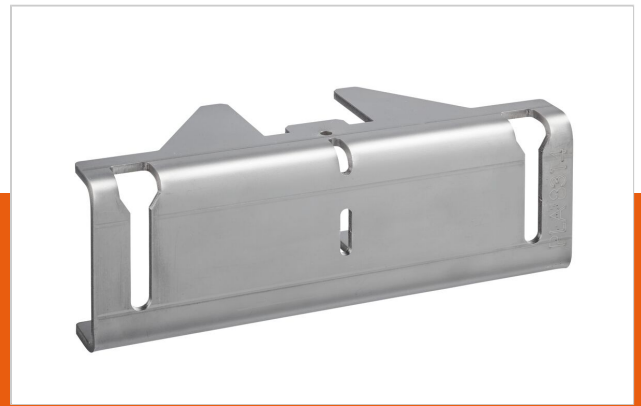
Article number (SKU)
Colour

7183114
Stainless Steel

Key Benefits

- Easy to install

The PLA 8311 is a custom made and can be used in the middle of the LED video wall. The dimensions of the bracket differ per LED-tile model.





PLA 8311 LED interface middle, 1 pc

www.vogels.com

VOGEL'S HOLDING BV 2019 (c) All rights reserved.
Subject to printing errors, technical and price amendments.
Date: 2019-08-09

Specifications

Product type number	PLA 8311
Article number (SKU)	7183114
Colour	Stainless Steel
EAN single box	8712285340000
TÜV certified	Yes
Guarantee	5 years

