

Read instruction sheet before you start installation and assembly.

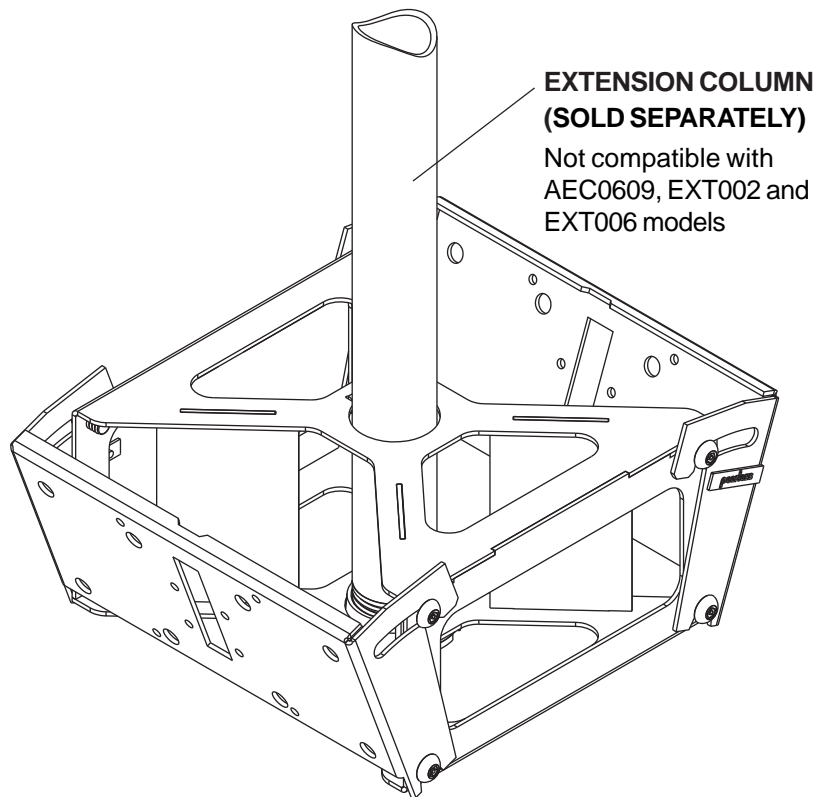
Maximum Load Capacity:
300 lb (136 kg)

⚠ WARNING

- Failure to install M5 penta-pin screw (D) can cause the mount to fall!

Applications

- Installation of PLP adapter plate Step 3
- Installation of LC adapter plate Step 4

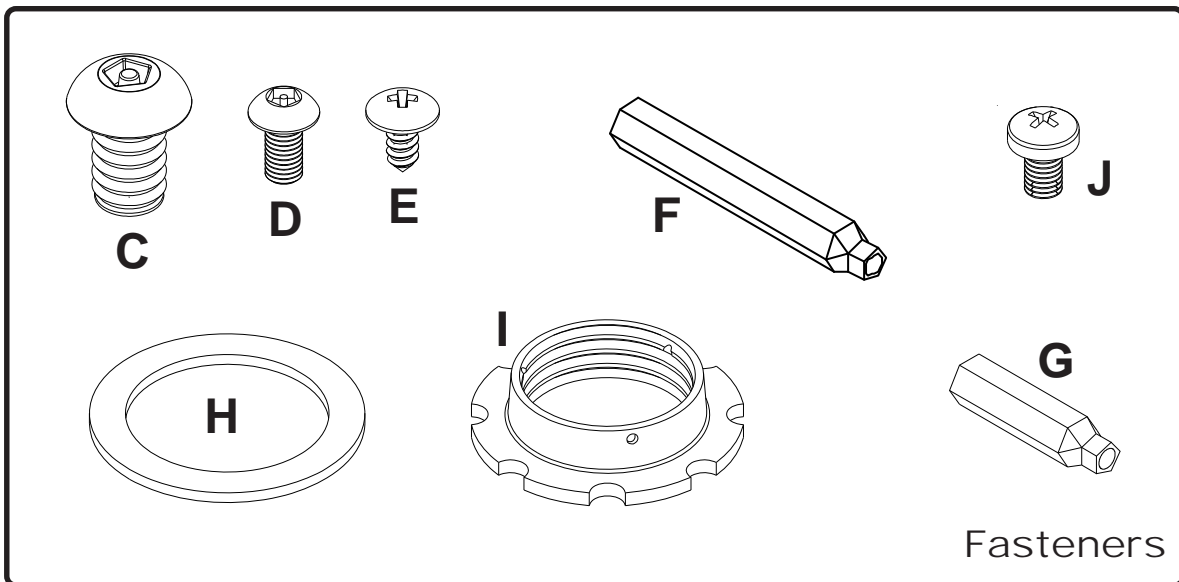
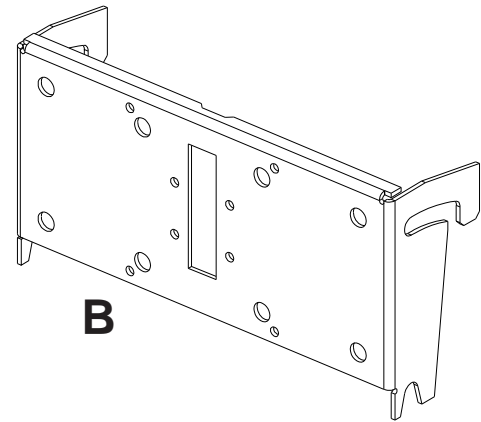
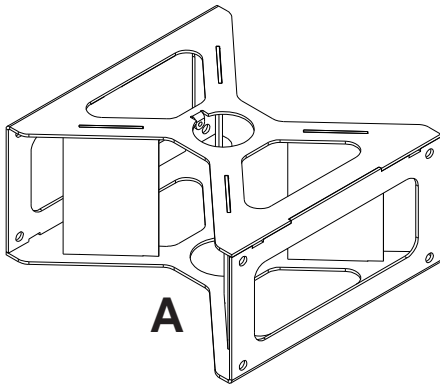


Before you start check the parts list to insure all of the parts shown are included.

Parts List

Description	Qty.	Part Number
A interface bracket	1	200-1090
B tilt bracket	2	200-1552
C M10 x 1.5 x 15 mm penta-pin™ screw	16	520-9263
D M5 x .8 x 10 mm self-tapping penta-pin screw	1	505-9010
E #8 x 3/8" truss head sheet metal screw	1	520-1078
F M10 x 2" penta-pin tool	1	520-9260
G M5 x 1" penta-pin tool	1	520-9249
H 2.125" ID x 2.875" OD x .062" H fiber washer	1	540-9432
I retaining collar	1	1800-375
J M5 x .8 x 8 mm phillips screw	8	520-1167

Note: Some parts may appear slightly different than illustrated.



1

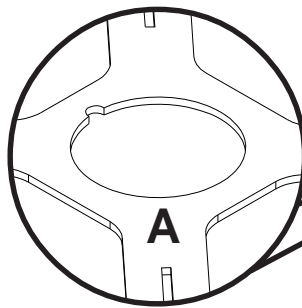
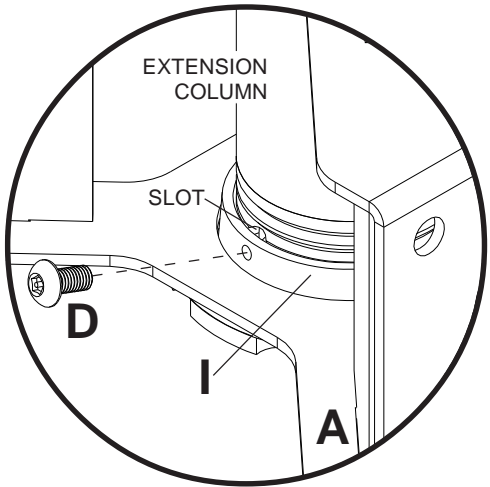
Note: Hole with notch indicates bottom of interface bracket as shown in detail 1. Insert interface bracket (A) onto extension column (sold separately) and attach using fiber washer (H) and retaining collar (I) as shown (right).

IMPORTANT: Retaining collar (I) requires a M5 x 10 mm penta-pin screw (D). Carefully thread retaining collar (I) onto end of extension column. Tighten retaining collar (I) at least four complete turns ending with one of the small holes aligned with slot in the end of extension column. Insert and tighten M5 x 10 mm penta-pin screw (D) using M5 x 1" penta-pin tool (G) where shown in **Illustration A**.

⚠ WARNING

- M5 penta-pin screw (D) is self tapping and may be hard to get started but is essential to this installation. Failure to install this screw can cause the mount to fall!

EXTENSION COLUMN (SOLD SEPARATELY)
Not compatible with AEC0609, EXT002 and EXT006 models



Detail 1

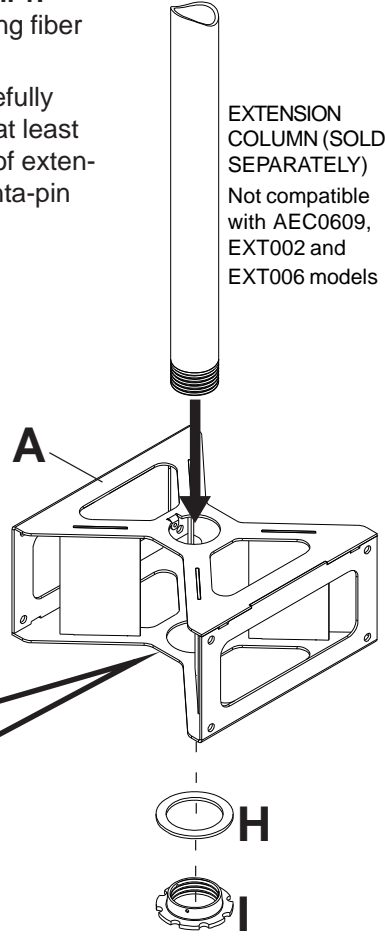
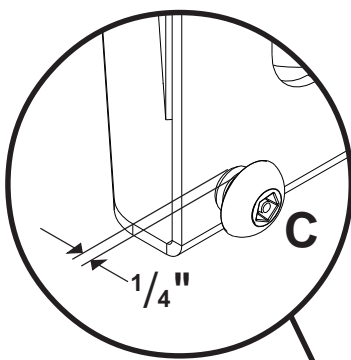


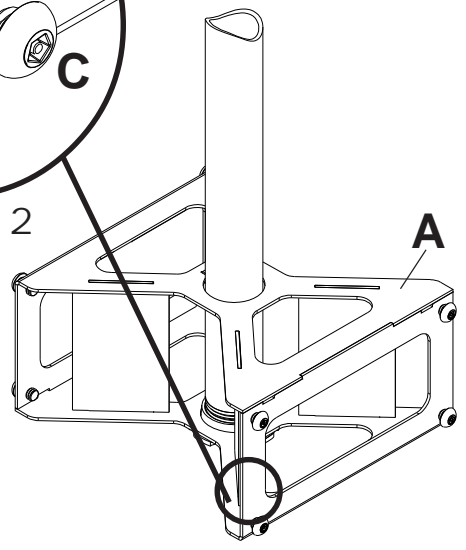
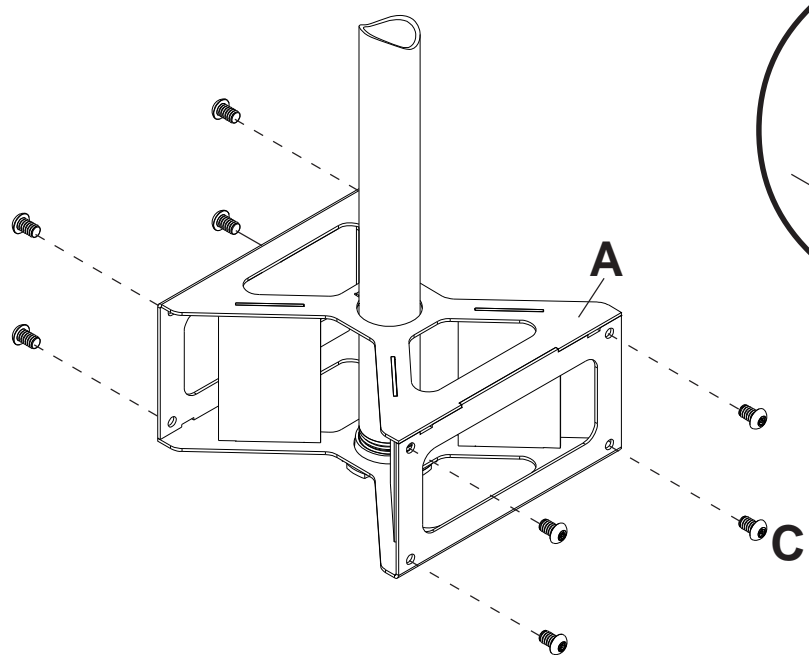
Illustration A

2

Screw eight M10 x 15 mm penta-pin screws (C) into holes of interface bracket (A) leaving approximately 1/4" of exposed thread as shown below and in **detail 2**.



Detail 2



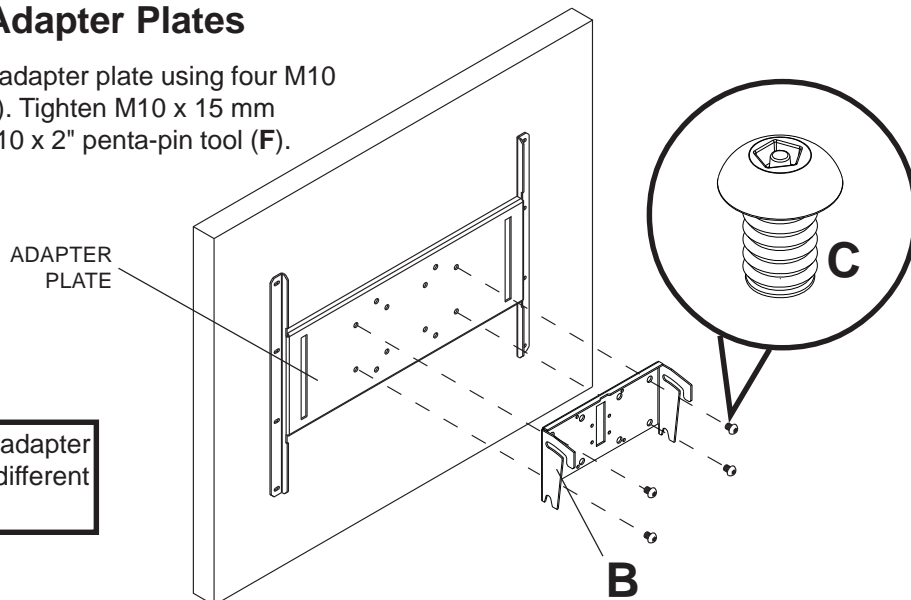
NOTE: Refer to adapter plate instruction sheet for attachment of adapter plate to screen before proceeding with step 3. If your adapter plate has an aluminum race attached to it, remove before proceeding and discard race. It is not used with this product.

Installation of PLP Adapter Plates

- 3** Attach tilt bracket (**B**) to each adapter plate using four M10 x 15 mm penta-pin screws (**C**). Tighten M10 x 15 mm penta-pin screws (**C**) using M10 x 2" penta-pin tool (**F**).

Skip to step 5.

Note: Screen and adapter plate may appear different than illustrated.



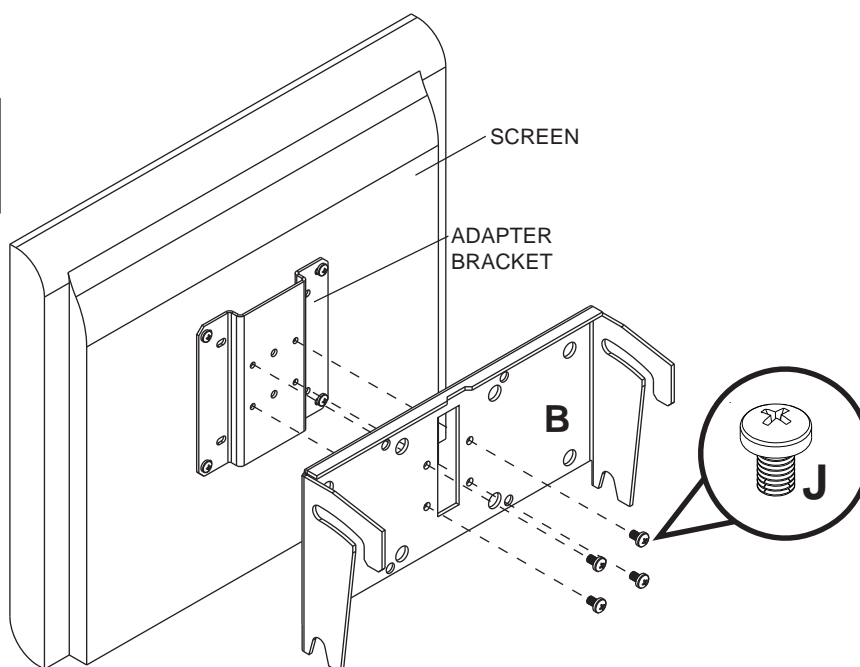
NOTE: Refer to adapter plate instruction sheet for attachment of adapter plate to screen before proceeding with step 4. If your adapter plate has an aluminum race attached to it, remove before proceeding and discard race. It is not used with this product.

Installation of LC Adapter Plates

- 4** Attach tilt bracket (**B**) to adapter bracket using four M5 x 8 mm phillips screws (**J**).

Note: Do not use M5 x 6 mm screws that are included with the adapter bracket.

Note: Screen and adapter plate may appear different than illustrated.



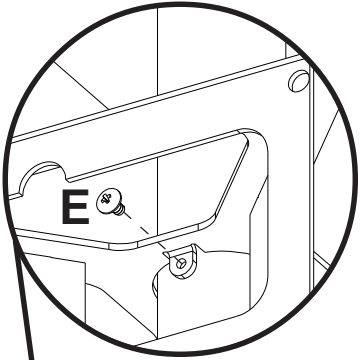
5

Hang each plasma screen on interface bracket (A) as shown in **Illustration B**. Adjust tilt as desired for each screen and tighten eight M10 x 15 mm penta-pin screws (C) on interface bracket (A) using M10 x 2" penta-pin tool (F).

5-1

After both screens are installed, lock interface bracket (A) into place using one #8 x 3/8" truss head sheet metal screw (E) as shown in **Illustration C** and **detail 3**.

Note: Make sure both screens are installed properly before locking interface bracket (A) into place.



Detail 3

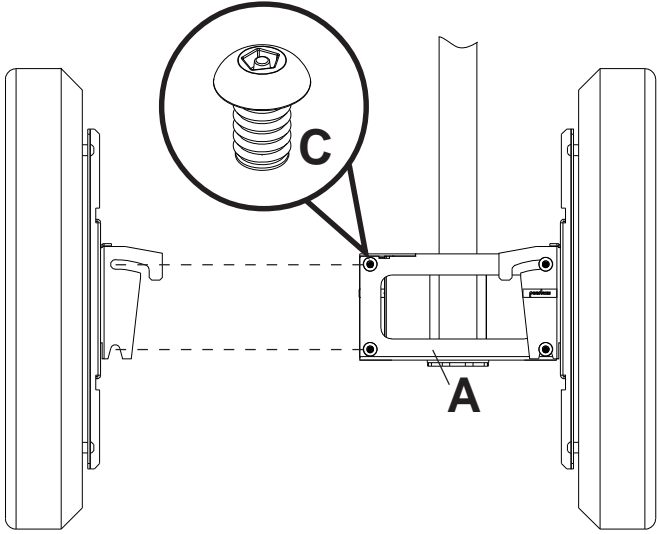


Illustration B

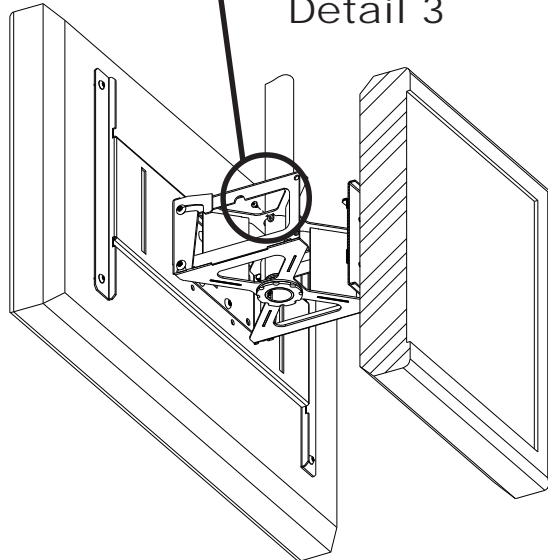


Illustration C