

# Installation and Assembly - Flat Panel Adapter Plate for Panasonic® 65" TH-65PHD7UY Plasma Screen

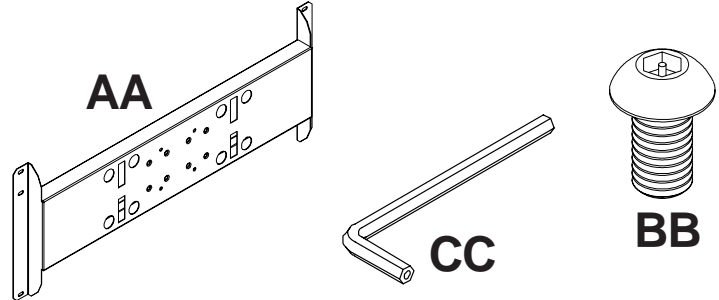
Model: PLP PAN65

**IMPORTANT!** Read instruction sheet before you start installation and assembly.

Before you start make sure all parts listed are included with your product.

## Parts List

Description	Qty.	Part #
<b>AA</b> adapter plate	1	200-1688
<b>BB</b> M8 x 15 mm socket pin screw	6	520-1068
<b>CC</b> 4 mm security allen wrench	1	560-9646



**Note:** Some parts may appear slightly different than illustrated.

- 1 Attach adapter plate (**AA**) to back of screen using six M8 x 15 mm socket pin screws (**BB**) as shown. Tighten M8 x 15 mm socket pin screws (**BB**) using 4 mm security allen wrench (**CC**).

## ⚠ WARNING

- Do not overtighten. Overtightening may cause permanent damage to the screen. Torque to 26-35 in • lb (30-40 kg • cm).

