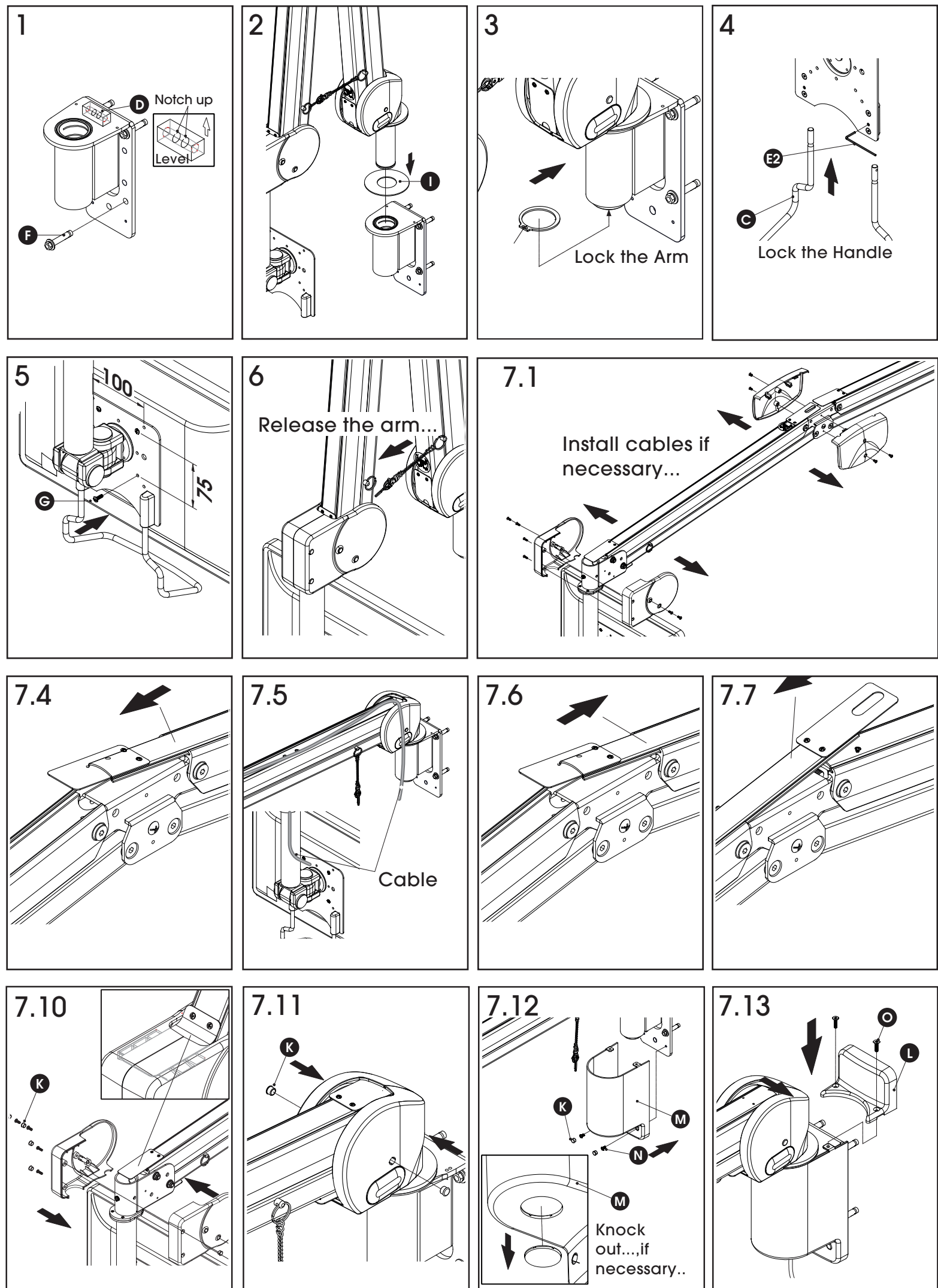
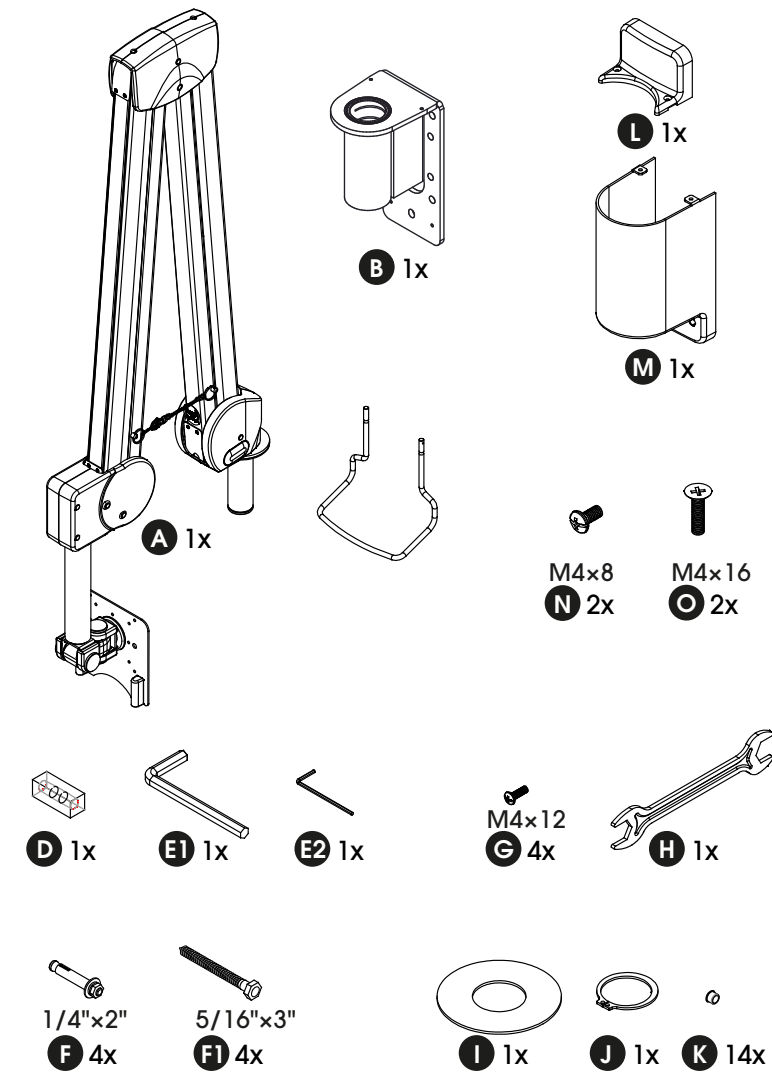
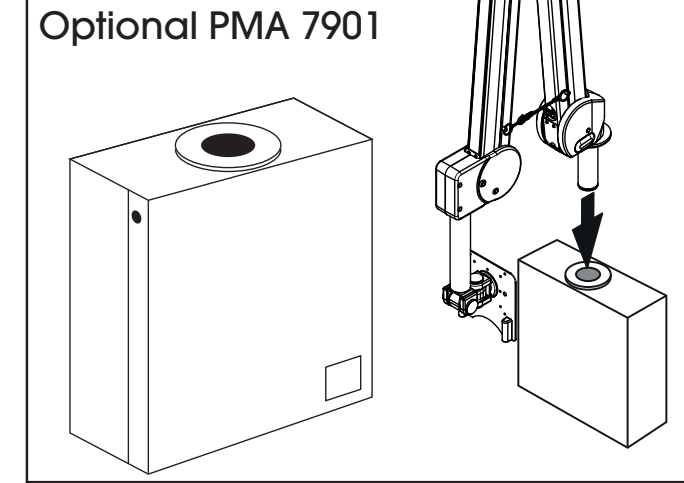
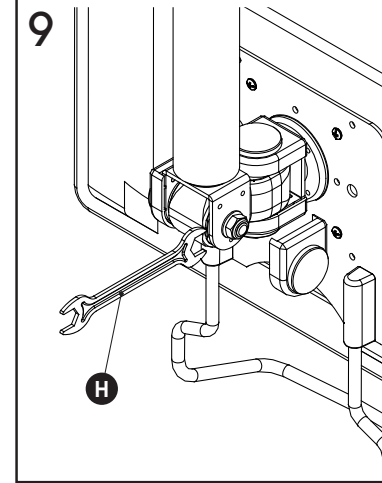
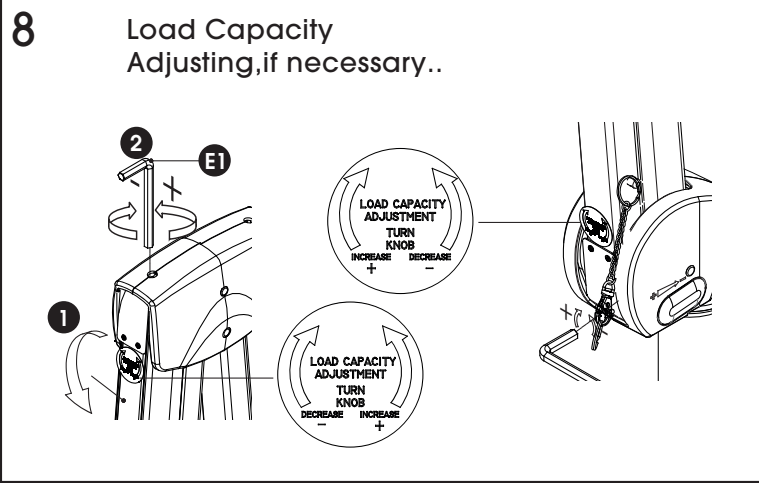


**PMW 7014 - PMW 7038**  
 Medical Wall mount (white)  
 PMA 7901 Medical wall box

Mounting instructions  
 Montagevoorschrift  
 Instructions de montage  
 Montageanleitung  
 Guía de montaje  
 Istruzioni di montaggio  
 Instruções de montagem  
 Monteringsanvisning  
 Instrukcja montażu  
 Рекомендации по установке

PMW 7014 max. 1-4 kg / 2.2-8.8 lbs  
 PMW 7038 max. 3-8 kg / 6.6-17.6 lbs





(GB) Subject to printing errors and technical amendments.  
 (NL) Drukfouten en technische wijzigingen voorbehouden.  
 (F) Sous réserve de fautes d'impression et de modifications techniques.  
 (D) Für Druckfehler übernehmen wir keine Verantwortung. Technische Änderungen vorbehalten.  
 (E) Reservados errores de imprenta y sujeta a modificaciones.  
 (I) Con riserva di modifiche tecniche e di eventuali errori di stampa.  
 (P) Reserva-se a ocorrência de galhas e de modificações técnicas.  
 (H) Nyomdahibák és technikai változtatások joga fenntartva.  
 (PL) Zastrzeżenie możliwości występowania błędów drukarskich i zmian technicznych.  
 (RUS) Возможны ошибки при печати и технические модификации.

More information on: [www.vogels.com](http://www.vogels.com)  
 VOGEL'S PRODUCTS BV, HONDSRUGLAAN 93, 5628 DB EINDHOVEN, THE NETHERLANDS

Disclaimer: In case of installation in medical rooms with electrical wiring, an independent electrical safety check shall be made according national and international standards.