

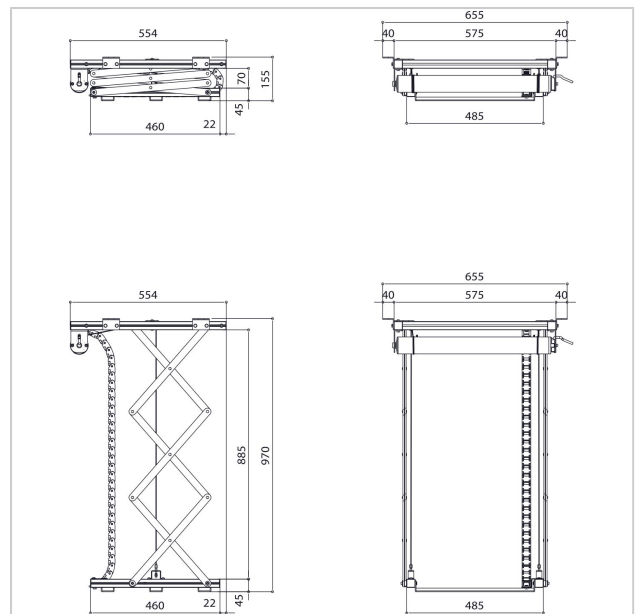


PPL 2100 Projector lift system

Article number (SKU) 7021004
Colour Silver

The PPL 2100 projector lift system is the perfect solution for the integration of a large and heavy projector into a ceiling where an aesthetical solution is required. Not only is the projector neatly hidden, it is also theft delaying. The lifts runs silently and offers two adjustable positions: top and show.

"This lift has been developed to be installed inside a false ceiling where very few space is available. Inside the false ceiling only a minimum height of 15,5 cm is required to install lift and projector. The motor allows a drop of 81,5 cm. The maximum weight capacity of the projector lift is 30 kg. The PPL 2100 is supplied with extendable side brackets in order to position the ceiling tile exactly in the ceiling tile grid. The lift is equipped with two safety screws that prevent the lift to extent further to the preset end stop. "





PPL 2100 Projector lift system

www.vogels.com

VOGEL'S HOLDING BV 2019 (c) All rights reserved.
Subject to printing errors, technical and price amendments.
Date:2020-03-30

Specifications

Product type number	PPL 2100
Article number (SKU)	7021004
Colour	Silver
EAN single box	8712285338380
Width	575
Depth	554
TÜV certified	Yes
Guarantee	2 years
Guarantee electrical parts	2 years
Max. weight load (kg)	30
Average power consumption (W)	184
Certifications	CE
Max. distance to ceiling (mm)	970
Min. distance to ceiling (mm)	155
Voltage	220 V, 50 Hz 230 V, 50 Hz

