

PSTK-600
PSTK-1200
PSTK-1600



Max load
25lb (11.3kg)

Short Throw Projector Mounts

FOR PROJECTORS UP TO 25LB (11.3KG)

The PSTK series short throw projector kit is easily adjustable to accommodate ultra-short and short throw projector distance requirements. The dual stud wall mount provides ideal placement and alignment with both horizontal and vertical adjustment. The Short Throw Projector Mount kit also includes a Peerless-AV precision gear universal projector mount, the PRS-UNV.

The PSTK Series of all-in-one solutions make finding your ideal projector placement effortless.



Additional Features

- ✓ Aluminum alloy telescoping arm with lock down slot
- ✓ Fully integrated cable management system conceals and protects cables for a clean finish
- ✓ Kitted with Peerless-AV PRG-UNV projector mount with precision gear alignment and adjustment knobs offering:
 - ±20° Pitch
 - ±10° Roll
 - 360° Swivel (during installation)
- ✓ Variable extension options:
 - PSTK-600: 18.04"-24.93" (458-633mm)
 - PSTK-1200: 31.03"-48.55" (788-1233mm)
 - PSTK-1600: 46.78"-64.31" (1188-1633mm)
- ✓ The wall plate and arm attachment provide up to 10.00" (254mm) of side to side and up to 6.00" (152mm) in height adjustment
- ✓ Fast and easy to install



Use our online Short Throw Distance Calculator at projectorcalculator.peerless-av.com to determine if a projector will work in your installation.



Patented. Design Patent No. D609,552; D597,582.



Cable Management

info@peerless-av.com
peerless-av.com

peerless-AV®

- PSTK-600** Short Throw Projector Mount with arm length up to 24.93" (600mm)
- PSTK-1200** Short Throw Projector Mount with arm length up to 48.55" (1200mm)
- PSTK-1600** Short Throw Projector Mount with arm length up to 64.31" (1600mm)

Product Specifications

| | DIMENSIONS (W x H x D) | PRODUCT WEIGHT | LOAD CAPACITY | FINISH | AVAILABLE COLORS |
|------------------|--|----------------|---------------|--------------------------------|-----------------------|
| PSTK-600 | 32.00" x 9.99"-10.99" x 19.42"-26.31" (813 x 254-279 x 493-668mm) | 8.5lb (3.8kg) | 25lb (11.3kg) | Aluminum alloy, powder coat | Black with Silver Arm |
| PSTK-1200 | 32.00" x 9.99"-10.99" x 32.41"-49.91" (813 x 254-279 x 823-1268mm) | 12.5lb (5.6kg) | | | |
| PSTK-1600 | 32.00" x 9.99"-10.99" x 48.16"-65.68" (813 x 254-279 x 1223-1668mm) | 15.5lb (7.0kg) | | | |

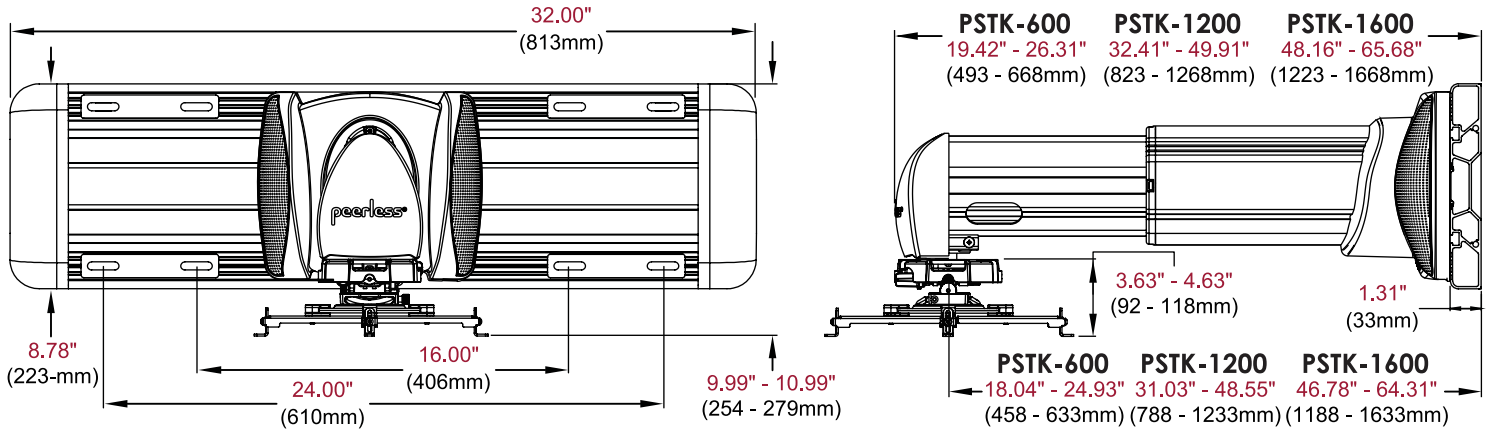
Package Specifications

| | PACKAGE SIZE (W x H x D) | PACKAGE SHIP WEIGHT | PACKAGE UPC CODE | PACKAGE CONTENTS | UNITS IN PACKAGE |
|------------------|--|---------------------|------------------|--|------------------|
| PSTK-600 | 28.70" x 10.20" x 11.00" (728 x 259 x 279mm) | 19.4lb (8.7kg) | 735029293279 | Short throw arm, end cap, PRG-UNV, wall plate, installation hardware, assembly instructions | 1 |
| PSTK-1200 | 32.00" x 10.20" x 11.00" (825 x 259 x 279mm) | 23.4lb (10.6kg) | 735029293286 | | |
| PSTK-1600 | 40.50" x 10.20" x 11.00" (1029 x 259 x 279mm) | 26.4lb (11.9kg) | 735029293293 | | |

Accessories

- ACC020:** Projector Security Cable
- ACC215/415/615:** Metal Stud Fastener Kit
- IBA Models:** In-Wall Boxes

All dimensions = inch (mm)



Architect Specifications

The Short Throw Projector Mount shall be a Peerless-AV model PSTK-600, PSTK-1200, PSTK-1600 and shall be located where indicated on the plans. Assembly and installation shall be done according to instructions provided by the manufacturer.

Visit peerless-av.com to see the complete line of AV solutions from Peerless-AV, including outdoor displays, wireless, kiosks, digital audio, display mounts, projector mounts, carts/stands, and a full assortment of accessories.

Peerless-AV
2300 White Oak Circle
Aurora, IL 60502 USA
(800) 865-2112
(630) 375-5100
Fax: (800) 359-6500

Peerless-AV Europe
Unit 3 Watford Interchange
Colonial Way, Watford
Herts, WD24 4WP
United Kingdom
+44 (0) 1923 200100
Fax: +44 (0) 1923 200101

Peerless-AV de México
Ave de las Industrias 413
Parque Industrial Escobedo
Escobedo, N.L.,
Mexico 66050
+52 (81) 8384-8300
Fax: +52 (81) 8384-8360

