

PTM200



Max load
5lb (2.3kg)

Universal Tablet Cradle

FOR TABLETS LESS THAN 0.75" (19mm) DEEP

Peerless-AV® makes it simple to mount almost any tablet with the PTM200(S). With its width and height adjustable cradle, this versatile, universal tablet adapts to virtually any tablet, securing it tightly into place. Its 75 x 75mm VESA® pattern allows it to attach to any wall mount with a matching pattern, and its sleek design makes it just as stylish as it is functional.

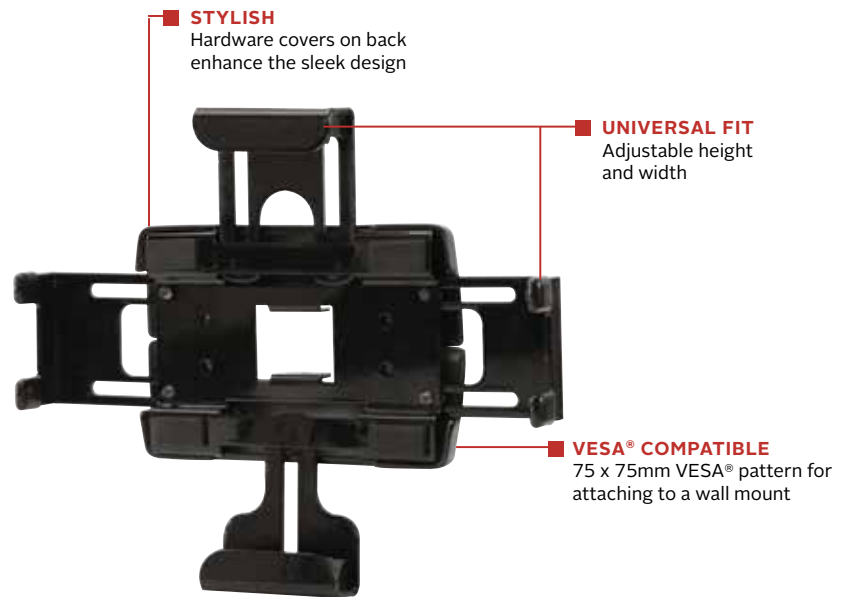
The PTM200's adjustable height and width feature provides adaptability to many tablets available on the market.



Additional Features

- ✓ Cradle provides adjustable height and width, providing a universal fit for most tablets
- ✓ Easily attaches to any 75 x 75mm VESA® mount
- ✓ Stylish cover for complementary aesthetics
- ✓ Theft-resistant security kit available

Note: Tablet and wall mount not included



Shown attached to SA740P

Patented. Design Patent No. D650,774.

PTM200	Universal Tablet Cradle for tablets less than 0.75" (19mm) deep
---------------	---

Product Specifications

	DIMENSIONS (W x H x D)	PRODUCT WEIGHT	LOAD CAPACITY	FINISH	AVAILABLE COLORS
PTM200	6.92"-11.42" x 4.48"-8.47" x 1.65" (176-290 x 114-215 x 42mm)	0.77lb (0.35kg)	5 lb (2.27kg)	TGIC Polyester Powder Coat	PTM200: Black

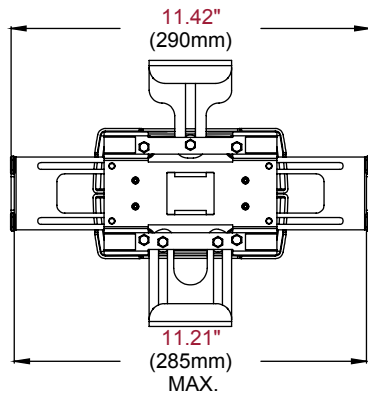
Package Specifications

	PACKAGE SIZE (W x H x D)	PACKAGE SHIP WEIGHT	PACKAGE UPC CODE	PACKAGE CONTENTS	UNITS IN PACKAGE
PTM200	9.5" x 2.5" x 12.25" (241 x 64 x 311mm)	2.00lb (0.91kg)	735029282129	Tablet Cradle and attachment hardware	1

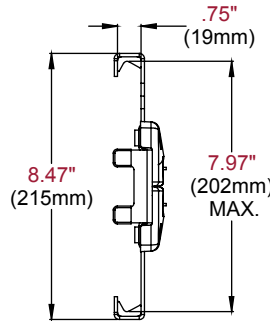
Accessories

ACC954: Theft Resistant Security Kit
LCH-100/LCT100S/LCT-101/LCV-100/LCZ MODELS: Desktop Mounts

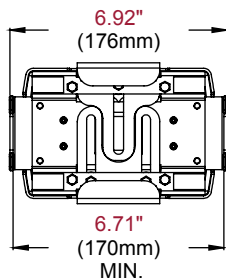
SF630 models: SmartMount® Universal Flat Wall Mount
ST630 models: SmartMount® Universal Tilt Wall Mount
SP724P: SmartMount® Pivoting Wall Mount
SPL724: SmartmountLT™ Pivoting Wall Mount
SA724P: SmartMount® Articulating Wall Mount
SAL724: SmartmountLT™ Articulating Wall Mount



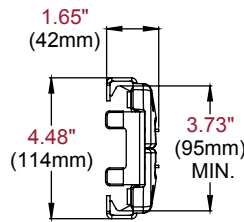
FRONT VIEW EXTENDED



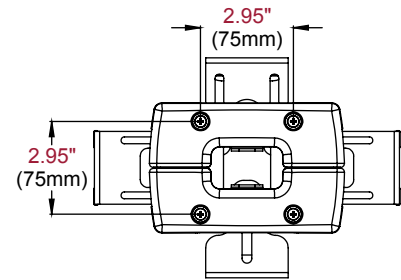
SIDE VIEW EXTENDED



FRONT VIEW RETRACTED



SIDE VIEW RETRACTED



REAR MOUNTING HOLES

All dimensions = inch (mm)

Architect Specifications

The Universal Desktop Tablet Mount shall be Peerless-AV models PTM400S(-W)/PTM400(-W) Assembly and installation shall be done according to instructions provided by the manufacturer.

Visit peerless-av.com to see the complete line of AV solutions from Peerless-AV, including outdoor displays, wireless, kiosks, digital audio, display mounts, projector mounts, carts/stands, and a full assortment of accessories.

Peerless-AV
2300 White Oak Circle
Aurora, IL 60502 USA
(800) 865-2112
(630) 375-5100
Fax: (800) 359-6500

Peerless-AV Europe
Unit 3 Watford Interchange
Colonial Way, Watford
Herts, WD24 4WP
United Kingdom
+44 (0) 1923 200100
Fax: +44 (0) 1923 200101

Peerless-AV de México
Ave de las Industrias 413
Parque Industrial Escobedo
Escobedo, N.L.,
Mexico 66050
+52 (81) 8384-8300
Fax: +52 (81) 8384-8360

