



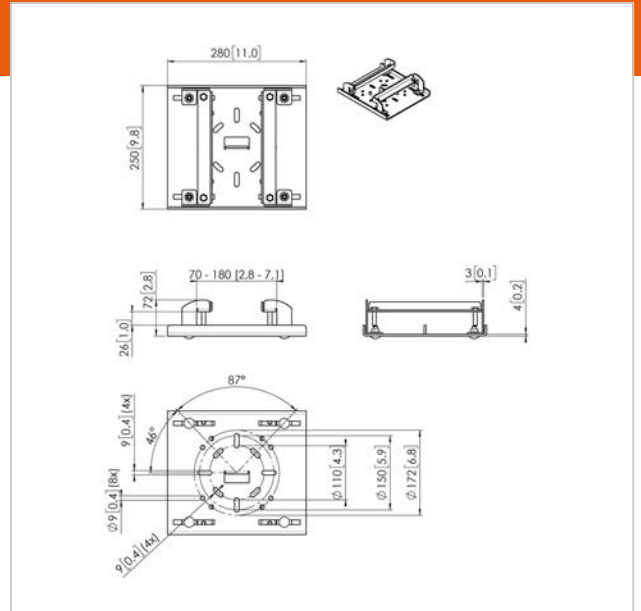
PUA 9515 Girder / H-beam clamp 70-180 mm

Article number (SKU)
Colour

7295154
Black

The PUA 9515 is part of the modular Vogel's display/projector mounting system which enables you to easily create your own (H-beam/girder) mounting solutions for medium- to large-sized displays.

The PUA 9515 is designed for mounting displays and projectors on Girder/H-beams without drilling. The PUA 9515 is suitable for girders with a width between 70 mm and 180 mm. The PUA 9515 needs to be used in combination with the ceiling plates (PUC 1011/ 1035/ 1045/ 1060/ 1065/ 1070/ 1080) and the PUC 21xx, PUC 24xx, PUC 25xx poles.





PUA 9515 Girder / H-beam clamp 70-180 mm

www.vogels.com

VOGEL'S HOLDING BV 2019 (c) All rights reserved.
Subject to printing errors, technical and price amendments.
Date: 2019-10-29

Specifications

Product type number	PUA 9505
Article number (SKU)	7295154
Colour	Black
EAN single box	8712285345166
TÜV certified	Yes
Guarantee	5 years
Max. weight load (kg)	80
H-beam size	70-180 mm

