

Product data sheet

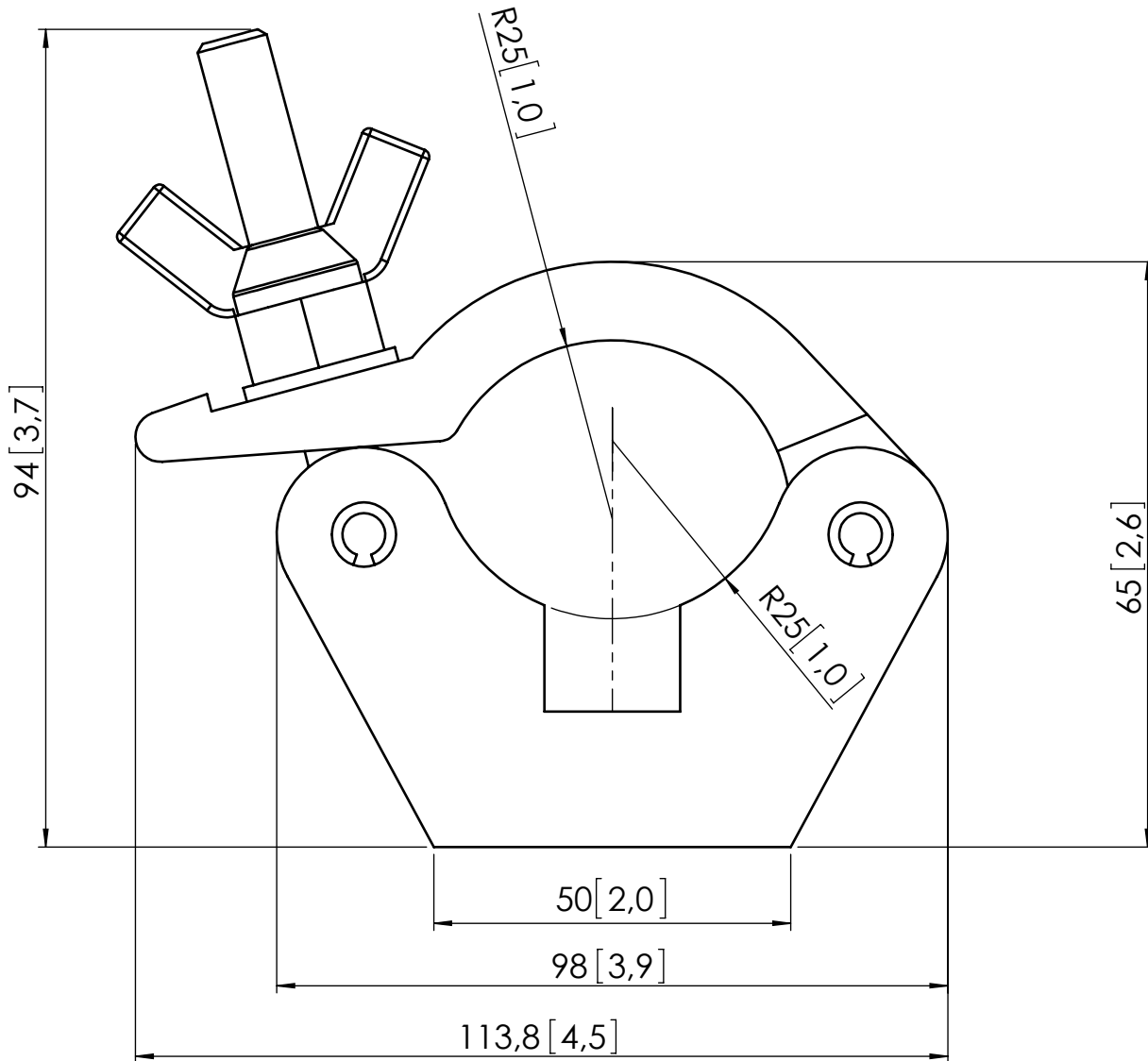
Dimensions in mm [inch]

PUC 1050 TRUSS CLAMP 2"

Max weight 30Kg/33Lbs
 60Kg/66Lbs (balanced)

Mounting material:

- 1x COUNTERSUNK HEAD SCREW M10X50 DOG POINT
- 1x FILL UP PLATE BASIC
- 1x FILL UP PLATE CONNECT-IT



00	04-12-2009	2009-311 RELEASE FOR PRODUCTION; ADDED ITEM 3&4
----	------------	-------------------------------------------------

Note:
This document and specifications herein are confidential and the exclusive property of Vogel's Products b.v. Neither this design nor any information contained in this drawing may be reproduced or disclosed to others without written consent of Vogel's Products b.v. The design and information will not be reproduced, copied or used, either in part or in its entirety, as the basis for the manufacture or sale of items without written permission.

Warning: Please study all instructions and illustrations carefully before installation.

Information in this document is subject to change without further notice.