



CHA230

Compression horn loudspeaker 30W 100V

Highlights:

- IP56 Ingress protection
- Multi-tapping 100V line transformer
- Weatherproof ABS sealed construction
- Stainless steel U bracket
- Multi-core fixed connection cable

The CHA230 is a long throw compression horn loudspeaker with an RMS power of 30 Watt. It is fitted with a line transformer with adjustable power taps and can be used in 70V or 100V PA installations at 30 Watt, 20 Watt, 10 Watt or 5 Watt. The CHA series are compression horn loudspeakers especially designed for paging and background music applications, offering durability and optimal speech and music reproduction. They are fitted with a line transformer with adjustable power taps, to be used in 70V/100V public address applications. The speakers are made from tough ABS, finished in a light grey colour and with sturdy adjustable mounting bracket. The Ingress Protection rating of IP56 makes them suitable for outdoor use.

Applications:

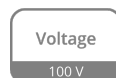
- Public facilities
- Corporate spaces
- Sport facilities



Certification:



Voltage:



System specifications:

Max. Power		45 W
RMS Power		30 W
Line Transformer Tappings	1	30 W / 334 Ω
	2	20 W / 500 Ω
	3	10 W / 1000 Ω
	4	5 W / 2000 Ω
Impedance		20 Ω
Sound Pressure (Max. W/1m)		109 dB
Frequency	Response (\pm 3 dB)	400 Hz - 7.5 kHz

Product Features:

Dimensions		238 x 302 mm (\varnothing x D)
Weight		2.130 kg
Operating temperature		-20 $^{\circ}$ C ~ 60 $^{\circ}$ C
Construction		ABS
Mounting		Inox bracket
		Inox screws
Colours		Light grey (RAL7035)
Accessories	Included	Mounting bracket

Shipping & Ordering:

Packaging	Cardboard box
Shipping weight & volume	3.000 kg - 0.030 Cbm

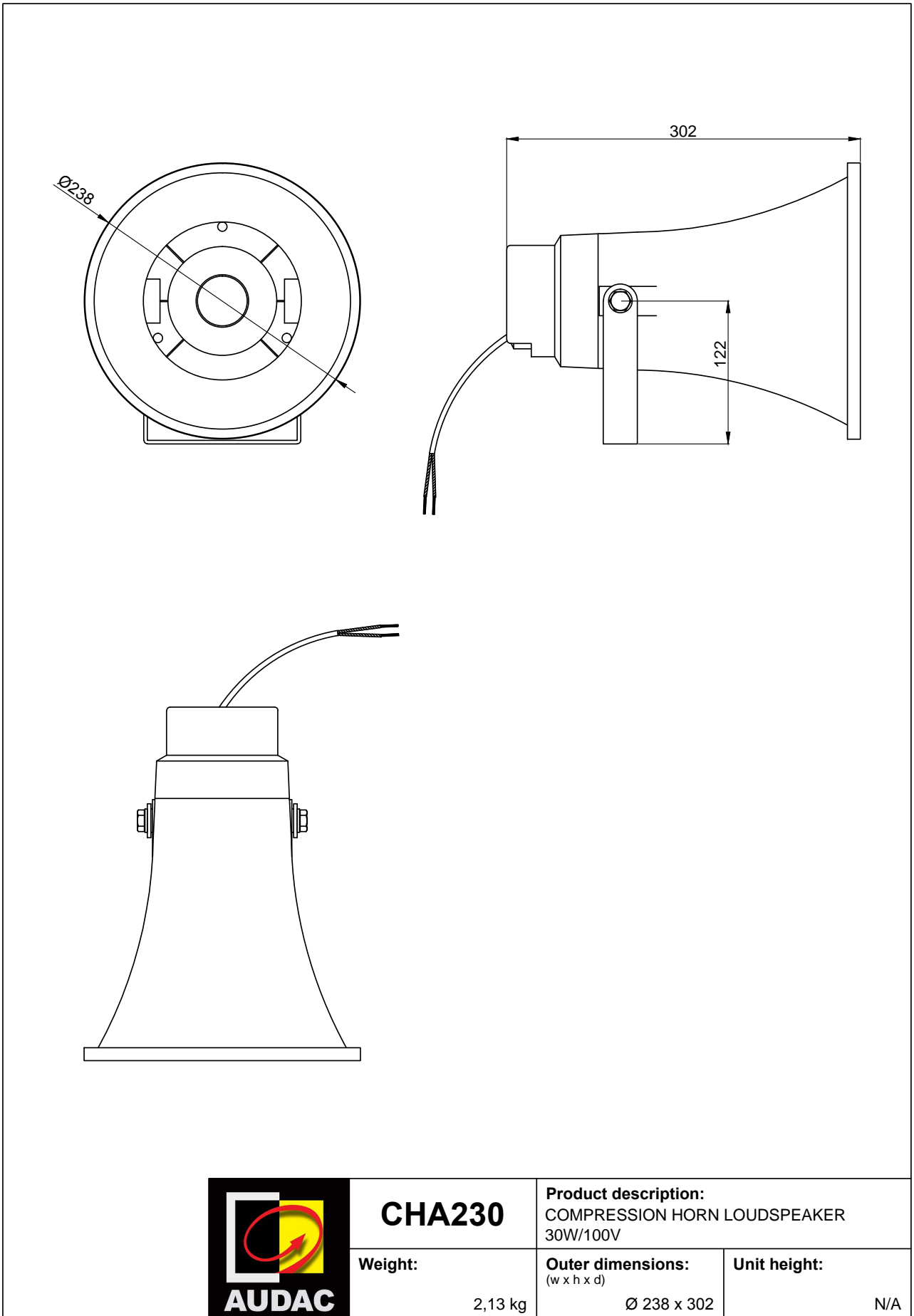
Architects' and Engineers' Specifications:

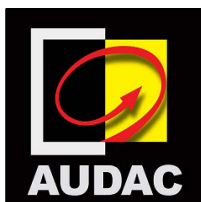
The loudspeaker must be a compression horn type, consisting of an 1.5" diaphragm which is built in a high quality ABS enclosure, resulting in an impact resistant and weatherproof loudspeaker. Mounting of the speaker shall be possible using a stainless steel mounting bracket allowing secure mounting and tilting for perfect directional placement.

It must have an RMS power handling of 30 Watt with a maximum power handling of 60 Watt and the frequency response (\pm 3 dB) must range from 400 Hz to 7.5 kHz. The sensitivity must be 109 dB when measuring with an input signal of 1 Watt at a distance of 1 meter, while the maximum continuous sound pressure level must reach 124 dB.

The loudspeaker must be fitted with a line transformer for use in 100 Volt constant voltage audio systems with multiple tappings for 30 Watt, 20 Watt, 10 Watt and 5 Watt which are selectable through a recessed adjuster screw located at the rear of the speaker. The enclosure shall comply to IEC60529 IP56 ratings for dust & splash resistance and feature a fixed cable to ensure an optimal connection.

The loudspeakers' enclosure must be finished in RAL7035 color, have a diameter of 238 mm with a depth of 302 mm and the weight shall not exceed 2.06 Kg.



	CHA230		Product description: COMPRESSION HORN LOUDSPEAKER 30W/100V
	Weight: 2,13 kg	Outer dimensions: (w x h x d) Ø 238 x 302	Unit height: N/A