



Highlights:

- FastCon™ connections
- Aluminum grill
- QuickFix installation system
- Multi-tapping 100V line transformer
- 5 1/4" woofer with 1" coaxially mounted tweeter

The CS series loudspeakers are high-quality in-ceiling loudspeakers, delivering exceptional sound quality and value for a wide variation of applications, ranging from paging and announcements to background music systems in a wide range of business applications, including hotels, restaurants and pubs, corporate offices, retail stores, etc. The CS74 in-ceiling loudspeaker features a 5 1/4" driver with a coaxially mounted 1" tweeter, having a continuous power handling of 30 Watt and a maximum power handling of 60 Watt. The 2-way construction makes the CS74 the perfect match for a wide variation highly demanding of applications, guaranteeing a high-quality and true-to-nature reproduction of music and speech. The moisture proof treatment on the speakers' cone and aluminum front grill protects it for installation in humid or outdoor environments. A multi-tapping line transformer fitted with Fast-con™ allows fast and smooth connections to 100 Volt public address or low impedance systems. The mounting of the loudspeaker into the ceiling is achieved with a Quick-fix mechanism, offering a great installers convenience and lifetime stability. The construction of the speakers' housing is made out of high-quality ABS, while the front is covered by a solid powder-coated aluminum grille. It comes available in different colours, while custom painting is possible for a total blending into any environment.

Applications:

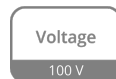
- Bars, restaurants
- Retail
- Hotels
- Public facilities
- Corporate spaces



Impedance:



Voltage:



System specifications:

Speaker type		2-way coaxial
Max. Power		60 W
RMS Power		30 W
Line Transformer Tappings	1	6 W / 1667 Ω
	2	3 W / 3333 Ω
	3	1.5 W / 6667 Ω
Sensitivity (1W/1m)		90 dB
Frequency	Response (\pm 3 dB)	60 Hz - 20 kHz
	Range (-10 dB)	50 Hz - 20 kHz
Sound Pressure (Max. W/1m)		104 dB
Crossover	Type	Passive built-in
Dispersion	Conical	135° (Half space (flush mounted in ceiling), average 100 Hz to 10 kHz @ -6 dB)
Impedance		8 Ω
Connectors		Multi-tap Fast-con™ connections
Drivers		5 1/4" MF / LF Woofer
		1" Dome tweeter

Product Features:

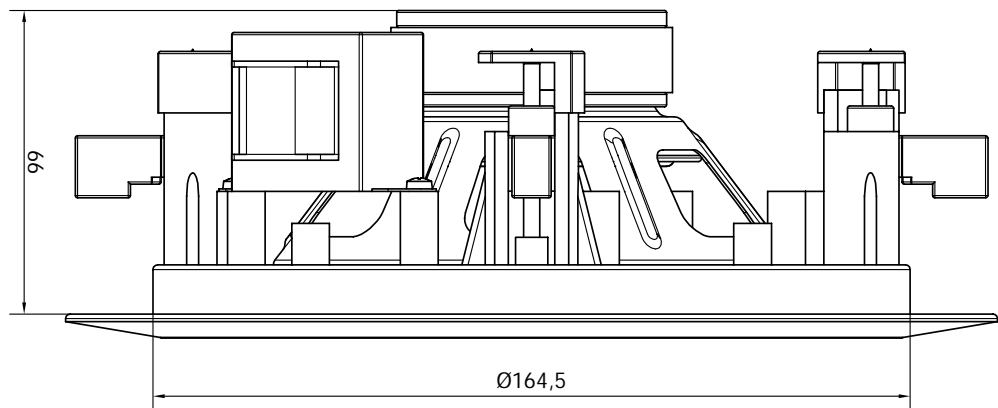
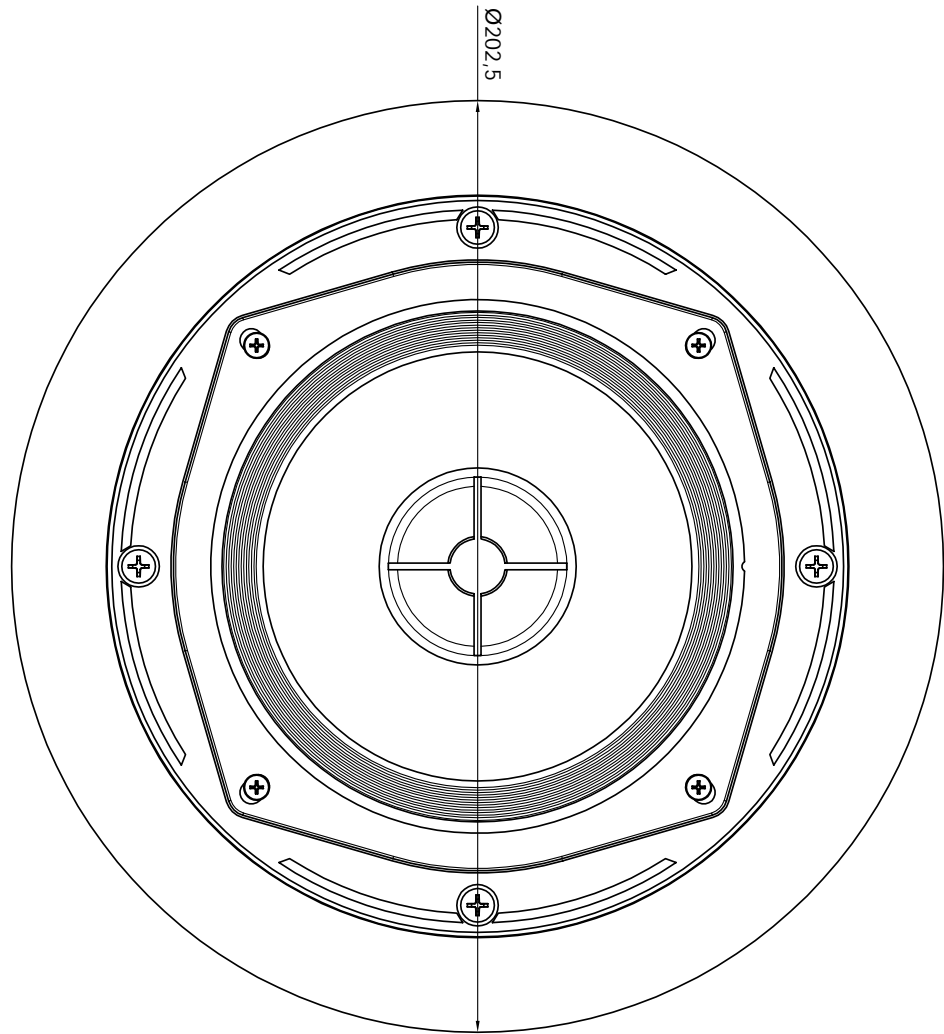
Dimensions		202.5 x 72 mm (\emptyset x D)
Weight		1.100 kg
Construction		ABS
Mounting & handling		Quick-fit installation system (4-screw)
Front finish		Aluminium grill (paintable)
Cut-out measurement		165 mm (\emptyset)
Built-in depth		66 mm
Colours		White (NCS S 1000-N) (CS74)
		White (RAL9010) (CS74/W)
		Black (RAL9005) (CS74/B)
Accessories	Included	Foam inlay
		Cut-out template

Shipping & Ordering:

Packaging	Cardboard box
Shipping weight & volume	1.370 kg - 0.0060 Cbm

Architects' and Engineers' Specifications:

The ceiling mount loudspeaker shall be a 2-way coaxial type equipped with a 5 ¼" low frequency driver and a 1" tweeter and fitted with a line transformer allowing it to be used on both low impedance (8 Ohm) and 100 Volt distributed lines. It shall have an RMS power handling of 30 Watt with a maximum power handling of 60 Watt and the frequency response (± 3 dB) shall range from 60 Hz to 20 kHz. The sensitivity shall be 90 dB when measuring with an input signal of 1 Watt at a distance of 1 meter, while the maximum continuous sound pressure level shall be 104 dB. The nominal dispersion shall be a 135° conical coverage pattern at -6dB (average 100 Hz - 10 kHz). The loudspeaker shall be switchable between 8 Ohm and constant voltage operation, and shall be fitted with a multi-tapping line transformer with tapings for 6 Watt, 3 Watt and 1.5 Watt including an 8 Ohm bypass. Fast and smooth connection of the system shall be possible using a Fast-con™ multi-tapping connector. The speakers frame shall be constructed in high quality ABS material which comes available in both white (RAL9010) and black (RAL9005) colours and is fitted with a removable aluminium grill allowing custom painting to make it blend-in with any environment. Mounting of the speaker into the ceiling shall be possible using a 4-screw Quick-fix installation system. The speaker shall have a diameter of 202.5 mm, a depth of 72 mm and the weight shall not exceed 1.1 kg. The speaker shall fit in a mounting hole with a cutout diameter of 165 mm and a build-in depth of 66 mm.



<p>CS74</p>	<p>Weight: 1,5 kg</p>
<p>Product description: QUICK FIT 2-WAY CEILING SPEAKER 6 W/100V</p>	<p>Outer dimensions: (w x h x d) Ø 202,5 x 72</p>
<p>Unit height: N/A</p>	<p>Unit height: N/A</p>