



# MBK110

## Mounting bracket for PX110 speaker

The MBK110 series mounting brackets are especially designed for the mounting of the AUDAC PX series speakers. These black brackets allow mounting the speakers in any possible situation. For the mounting of the PX series speaker with the corresponding bracket, the pole flange adapter in the bottom of the speaker has to be replaced with a screw flange adapter, which is included. They are constructed of solid steel, and come with all the necessary parts for safe mounting, such as 2 M10 bolts and a safety cable with M10 eye bolt mounting. This bracket is also available in white, MBK110/W



### Product Features:

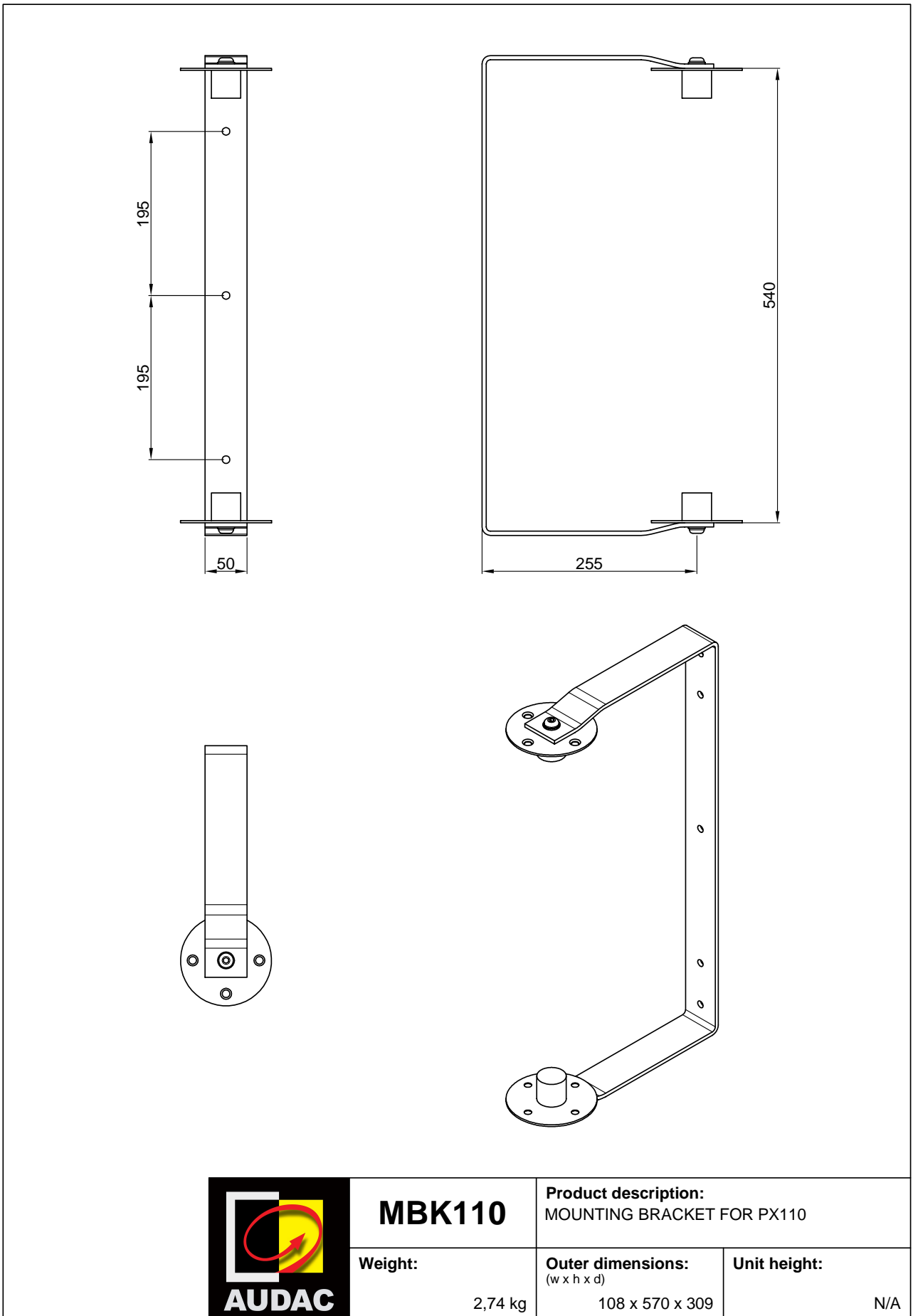
Dimensions	50 x 570 x 275 mm (W x H x D)	
Weight	2.740 kg	
Construction	Steel	
Colours	Black (MBK110) White (MBK110W)	
Accessories	Included	screw flange adapter, M10 bolts, M10 eye bolt, safety cable

### Variants:

- MBK110 - Black version
- MBK110W - White version

### Shipping & Ordering:

Compatible with	PX110
Packaging	Cardboard box
Shipping weight	2.850 kg



<b>MBK110</b>		<b>Product description:</b> MOUNTING BRACKET FOR PX110	
		<b>Weight:</b> 2,74 kg	<b>Outer dimensions:</b> (w x h x d) 108 x 570 x 309