



MBK115

Mounting bracket for PX115 speaker

The MBK115 series mounting brackets are especially designed for the mounting of the AUDAC PX series speakers. These black brackets allow mounting the speakers in any possible situation. For the mounting of the PX series speaker with the corresponding bracket, the pole flange adapter in the bottom of the speaker has to be replaced with a screw flange adapter, which is included. They are constructed of solid steel, and come with all the necessary parts for safe mounting, such as 2 M10 bolts and a safety cable with M10 eye bolt mounting. This bracket is also available in white, MBK115/W



Product Features:

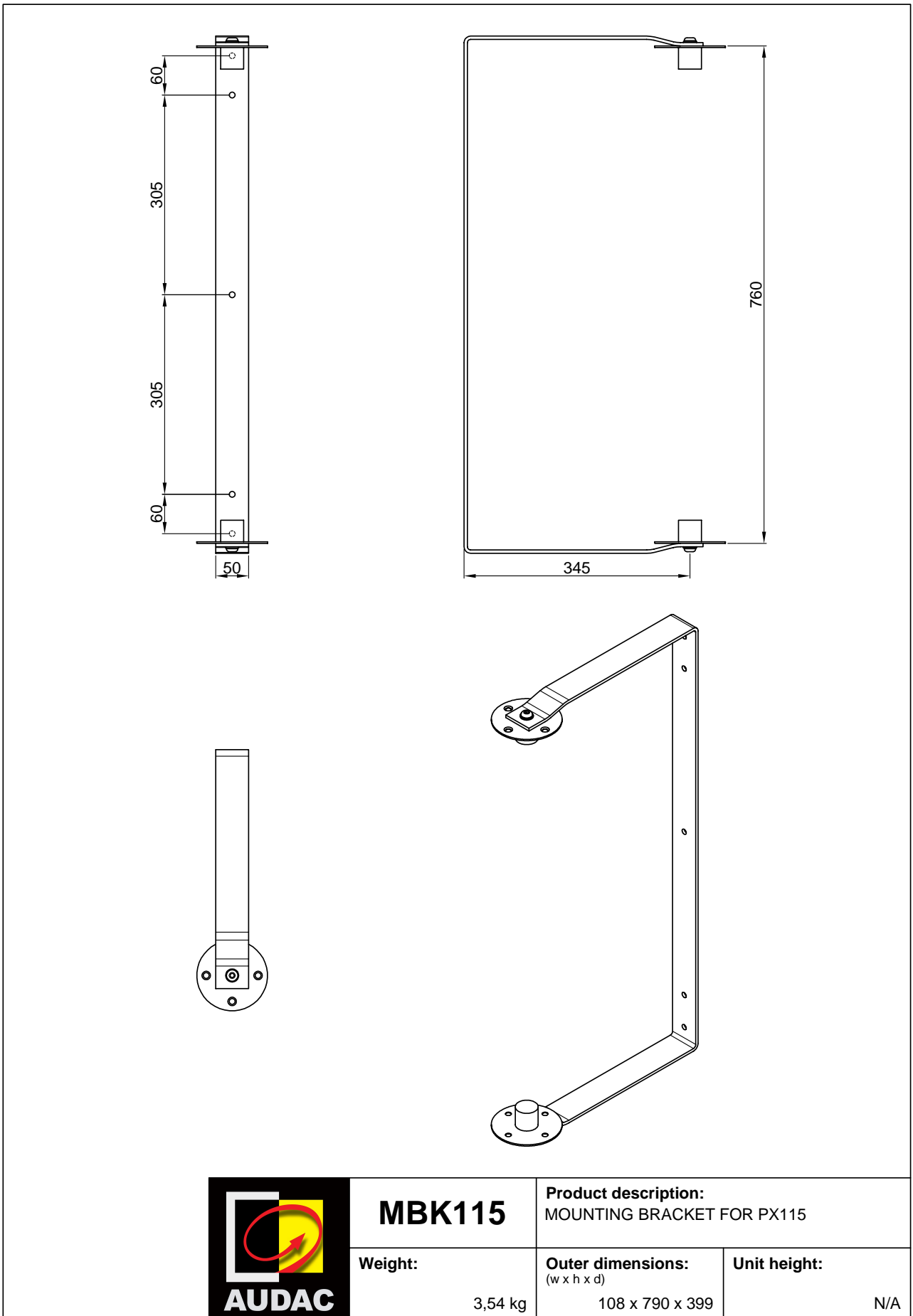
| | | |
|--------------|-----------------------------------|---|
| Dimensions | 50 x 790 x 365 mm (W x H x D) | |
| Weight | 3.540 kg | |
| Construction | Steel | |
| Colours | Black (MBK115) White (MBK115W) | |
| Accessories | Included | screw flange adapter, M10 bolts, M10 eye bolt, safety cable |

Variants:

- MBK115 - Black version
- MBK115W - White version

Shipping & Ordering:

| | |
|-----------------|---------------|
| Compatible with | PX115 |
| Packaging | Cardboard box |
| Shipping weight | 3.800 kg |



MBK115

Product description:
MOUNTING BRACKET FOR PX115

Weight:
3,54 kg

Outer dimensions:
(w x h x d)
108 x 790 x 399

Unit height:
N/A