



MBK208Z

Mounting bracket for HS208MK2 and HS208TMK2

The MBK208Z mounting brackets are especially designed for mounting the HS208MK2 and HS208TMK2 2-Way Horn speakers. Using these mounting brackets, these horn speakers can be mounted on any ceiling, pole or other position, while aiming the loudspeakers into the desired direction. They are constructed of steel with a thickness of 4 mm containing a zinc-plated finish preventing oxidation, while the U-shaped profile of the base increases the stability of the speakers. The bracket comes with the necessary parts, such as bolts, nuts, washers and speaker attachments ensuring safe and secure mounting.

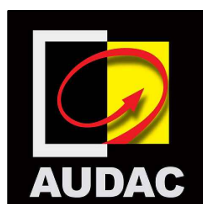
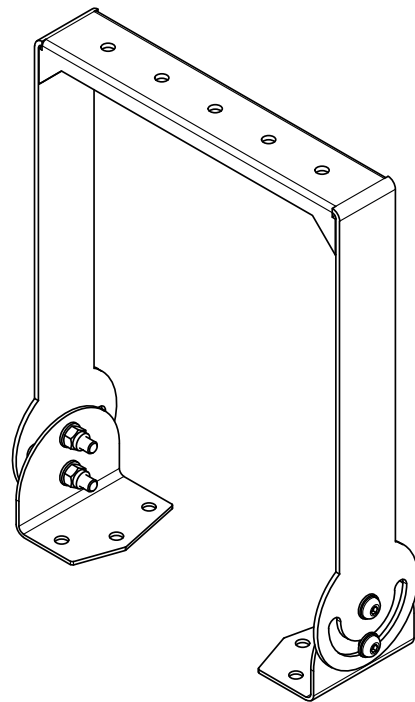
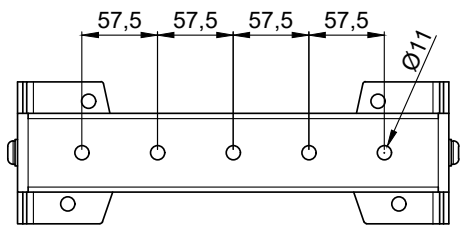
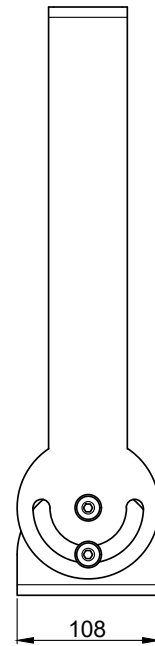
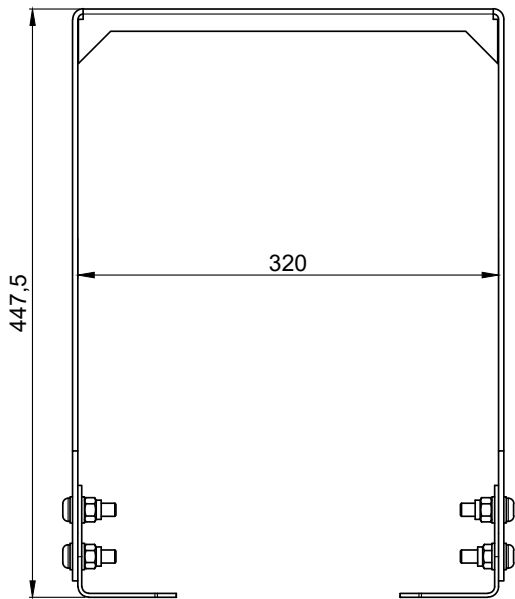


Product Features:

Dimensions		328 x 447.5 x 108 mm (W x H x D)
Weight		3.500 kg
Construction		Zinc plated steel 4 mm
Colours		Black (RAL9005)
Accessories	Included	bolts, nuts, washers, speakerplates, safety cable

Shipping & Ordering:

Compatible with	HS208MK2, HS208TMK2
Packaging	Cardboard box
Shipping weight & volume	3.800 kg - 0.0172 Cbm



MBK208Z

Product description:
MOUNTING BRACKET FOR HS208

Weight:
3 kg

Outer dimensions:
(w x h x d)
328 x 447,5 x 108

Unit height:
N/A