



MBK212Z

Mounting bracket for HS212MK2 and HS212TMK2

The MBK212Z mounting brackets are especially designed for mounting the HS212MK2 and HS212TMK2 2-Way Horn speakers. Using these mounting brackets, these horn speakers can be mounted on any ceiling, pole or other position, while aiming the loudspeakers into the desired direction. They are constructed of steel with a thickness of 4 mm containing a zinc-plated finish preventing oxidation, while the U-shaped profile of the base increases the stability of the speakers. The bracket comes with the necessary parts, such as bolts, nuts, washers and speaker attachments ensuring safe and secure mounting.

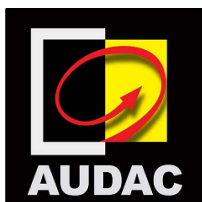
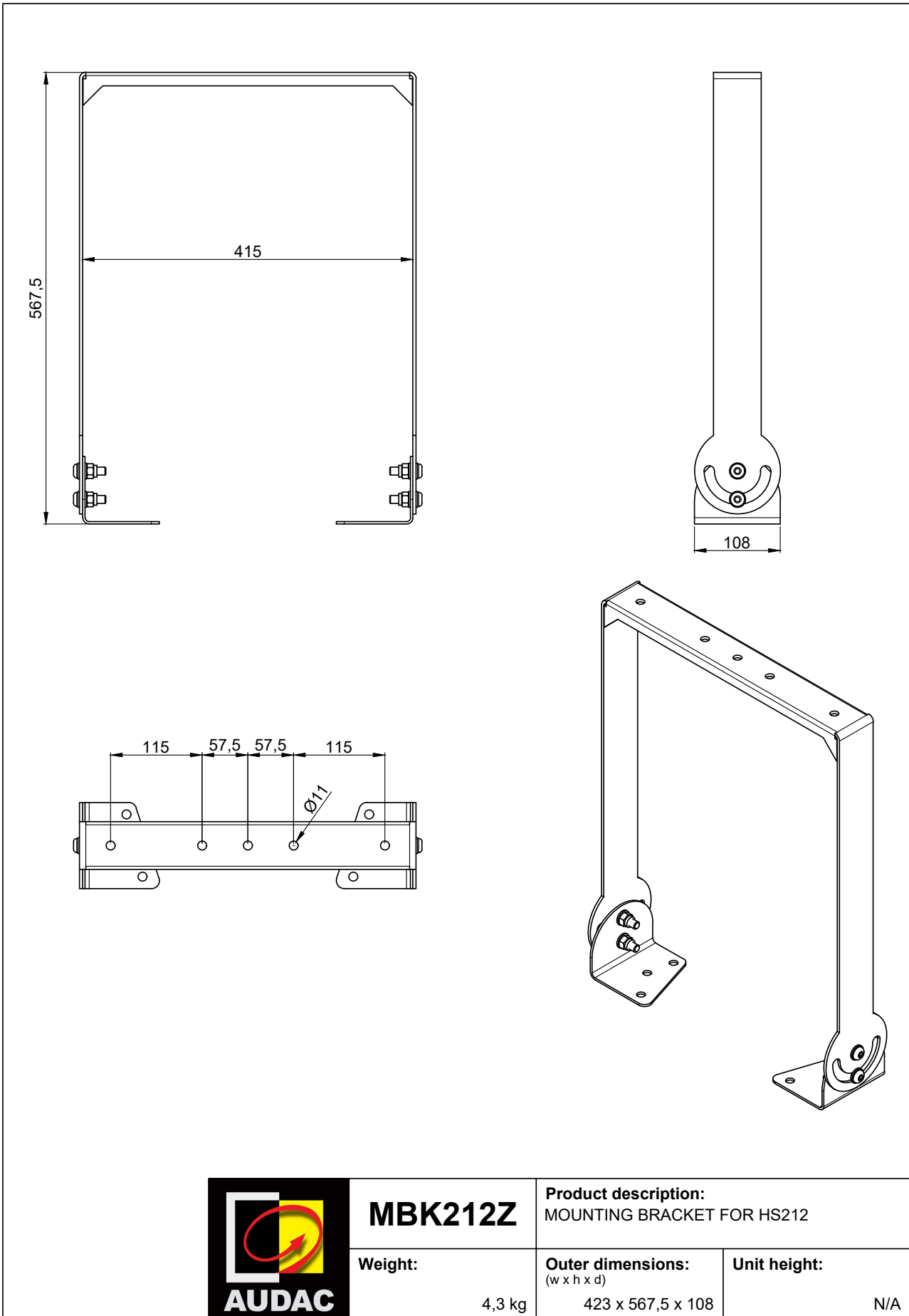


Product Features:

Dimensions	423 x 567.5 x 108 mm (W x H x D)	
Weight	3.650 kg	
Construction	Zinc plated steel 4 mm	
Colours	Black (RAL9005)	
Accessories	Included	bolts, nuts, washers, speakerplates, safety cable

Shipping & Ordering:

Compatible with	HS212MK2, HS212TMK2
Packaging	Cardboard box
Shipping weight & volume	4.820 kg - 0.0326 Cbm



MBK212Z

Product description:
MOUNTING BRACKET FOR HS212

Weight:
4,3 kg

Outer dimensions:
(w x h x d)
423 x 567,5 x 108

Unit height:
N/A