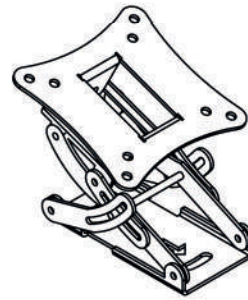
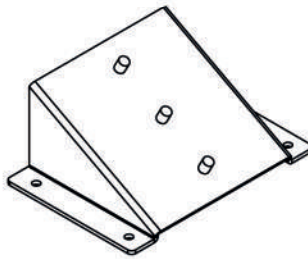


Supplied Parts:



Tools required:



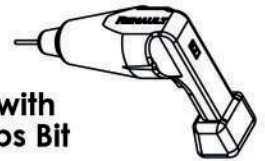
1/2" Wrench
or Socket



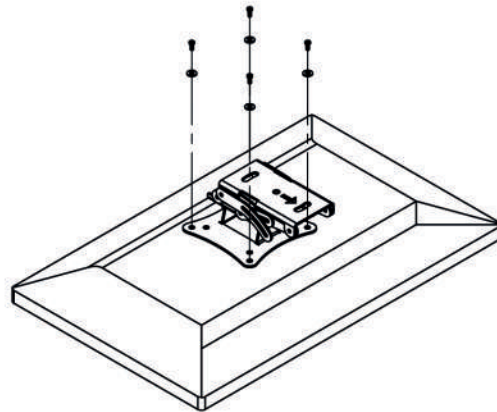
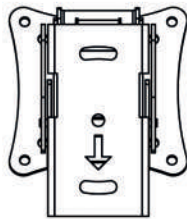
Phillips
Screwdriver

Or

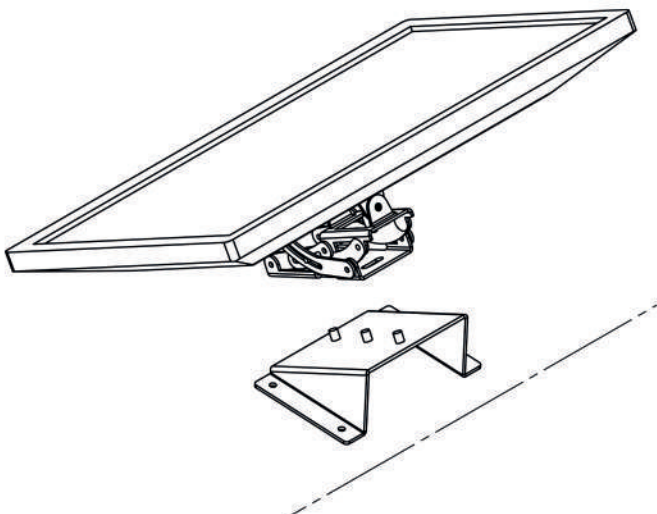
Drill with
Phillips Bit



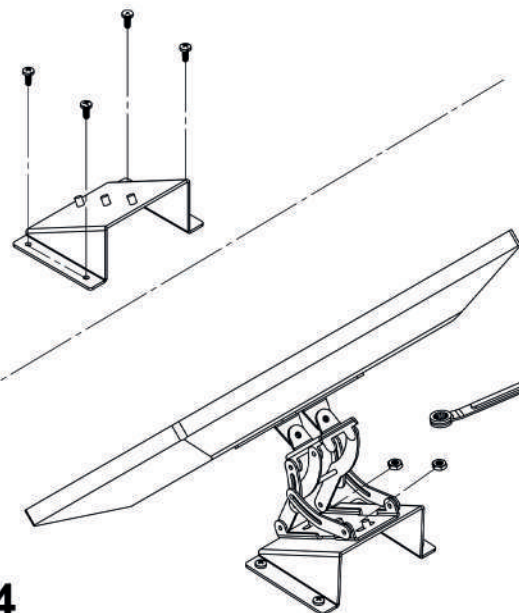
Step 1



Step 2



Step 3



Step 4

