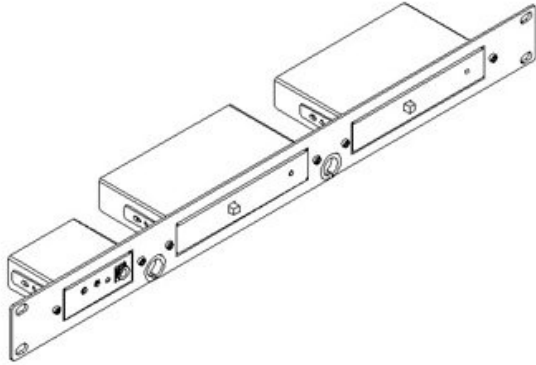




KRAMER

RK-2T1PT

19-Inch Rack Adapter for TOOLS™ & Pico
TOOLS™



19-inch rack adapter for mounting 2 Kramer TOOLS™
and 1 Kramer Pico TOOLS™ into a 1U rack space

FEATURES

Compatibility - Models compatible with the RK-2T1PT are also compatible with racks: RK-4PT & RK-1T2PT (Pico TOOLS); RK-3T, RK-6T, RK-9T, RK-1T2PT & RK-T2SB (TOOLS)



KRAMER

TECHNICAL SPECIFICATIONS

PRODUCT DIMENSION: 19" x 1.77 x 1U (43.6cm x 4.50cm 4.40cm) W, D, H

PRODUCT WEIGHT: 0.3kg (0.7lbs) approx

SHIPPING DIMENSION: 49.00cm x 13.20cm x 6.00cm (19.29" x 5.20" x 2.36") W, D, H

SHIPPING WEIGHT: 0.6kg (1.2lbs) approx