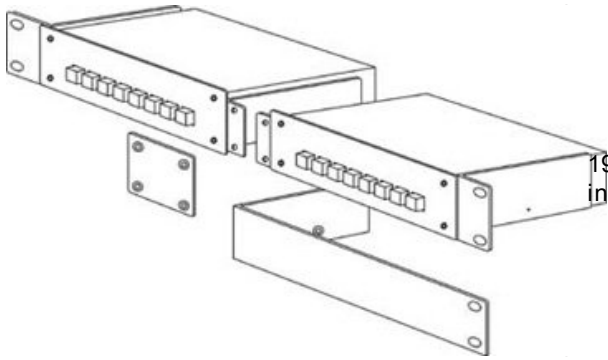




RK-81

19-Inch Rack Adapter for Selected Desktop
Models



19-inch rack adapter for mounting 2 desktop models
into a 1U rack space

TECHNICAL SPECIFICATIONS

PRODUCT DIMENSION: 19" x 3.39 x 1U (43.6cm x 8.60cm 4.40cm) W, D, H

PRODUCT WEIGHT: 0.3kg (0.7lbs) approx

SHIPPING DIMENSION: 28.50cm x 10.50cm x 5.90cm (11.22" x 4.13" x 2.32") W, D, H

SHIPPING WEIGHT: 0.4kg (1.0lbs) approx