

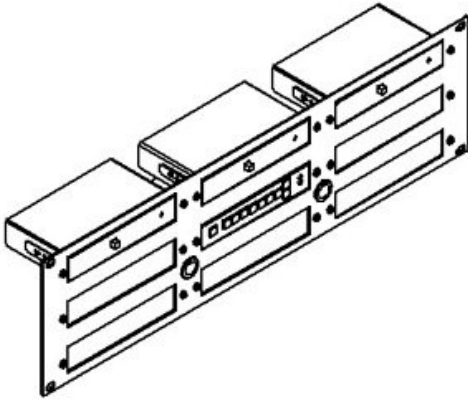


# KRAMER

## RK-9T

19-Inch Rack Adapter for TOOLS™

---



19-inch rack adapter for mounting 9 Kramer TOOLS™ into a 3U rack space

### FEATURES

---

**Compatibility** - Models compatible with the RK-9T are also compatible with racks: RK-3T, RK-6T, RK-1T2PT, RK-2T1PT & RK-T2SB



# KRAMER

## TECHNICAL SPECIFICATIONS

---

PRODUCT DIMENSION: 19" x 1.77 x 3U (43.6cm x 4.50cm 13.20cm) W, D, H

PRODUCT WEIGHT: 0.6kg (1.2lbs) approx

SHIPPING DIMENSION: 49.00cm x 13.20cm x 6.00cm (19.29" x 5.20" x 2.36" ) W, D, H

SHIPPING WEIGHT: 1.0kg (2.2lbs) approx