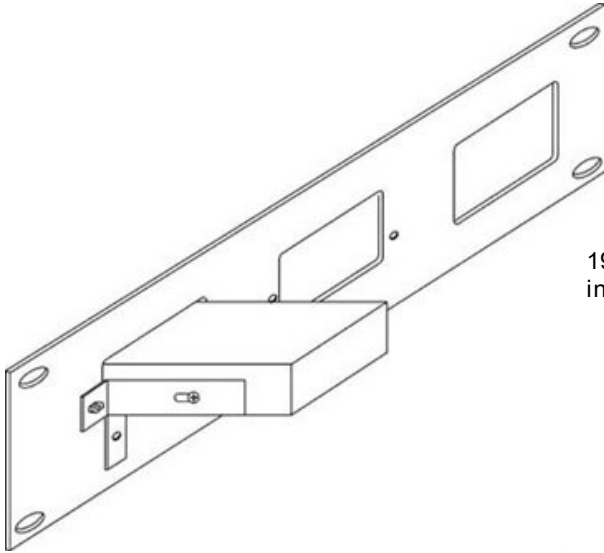




RK-SM

19-Inch Rack Adapter for Selected Desktop Models



19-inch rack adapter for mounting 3 desktop models into a 2U rack space

TECHNICAL SPECIFICATIONS

PRODUCT DIMENSION: 19" x 1.69 x 2U (43.6cm x 4.30cm 8.80cm) W, D, H

PRODUCT WEIGHT: 0.7kg (1.5lbs) approx

SHIPPING DIMENSION: 49.00cm x 13.20cm x 6.00cm (19.29" x 5.20" x 2.36") W, D, H

SHIPPING WEIGHT: 0.9kg (2.0lbs) approx