



Scan for full manual

## RK-UT1 Quick Start Guide

This guide helps you install and use your RK-UT1 for the first time.

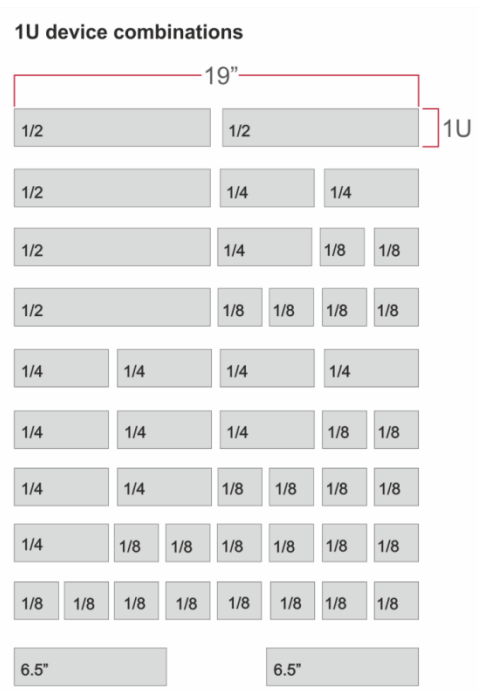
Go to [www.kramerav.com/downloads/RK-UT1](http://www.kramerav.com/downloads/RK-UT1) to download the latest user manual and check if firmware upgrades are available.

### Step 1: Check what's in the box

- ✓ RK-UT1 Under the Table Enclosure
- ✓ 6 wood mounting screws
- ✓ 1 Quick start guide
- ✓ 20 M3x5 screws

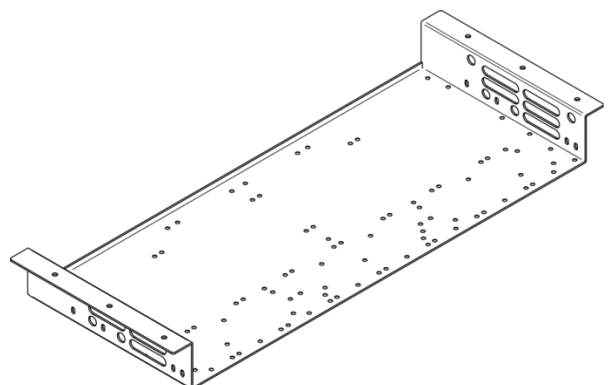
### Step 2: Get to know your RK-UT1

Mount any of the following combinations of Kramer 1U products (1/2-19" 1U units, 1/4-19" 1U units, 1/8-19" 1U units and separately, up to two 6.5"-1U units) in the RK-UT1 rack adapter. If empty spaces remain, you can close them with blank panels (optional).



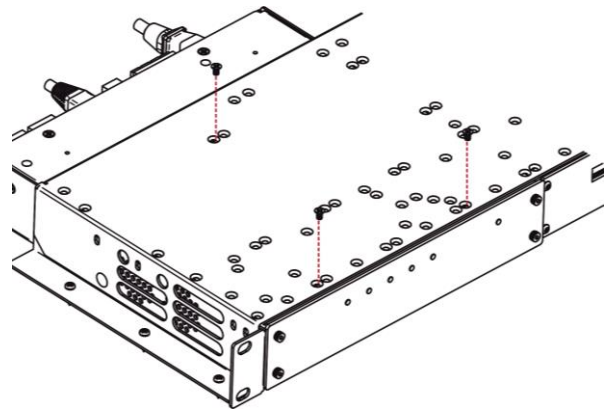
### Step 3: Mount devices onto the RK-UT1

The RK-UT1 underside TOOL mounting area includes a set of screw holes that are suitable for any combination of units.



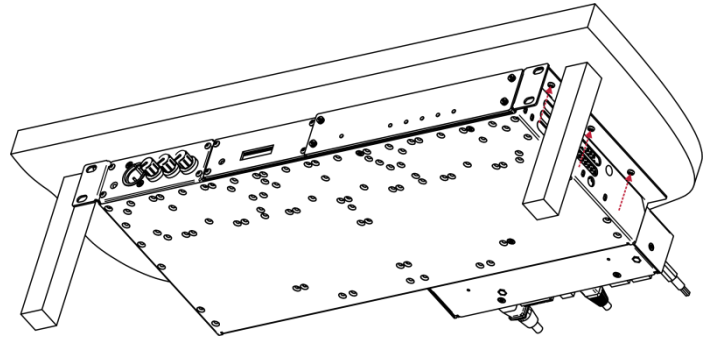
**To mount a unit on the RK-UT1:**

1. Place the first unit on the rack (for example, the Kramer **PA-120Z**).
2. While holding the **PA-120Z** in place, flip over the **RK-UT1**.
3. Attach the appropriate number of M3x5 screws (supplied) through the holes on the **RK-UT1** to the underside of the **PA-120Z**.
4. Repeat steps 1 to 3 for all additional devices.



**To install the RK-UT1 underneath a table:**

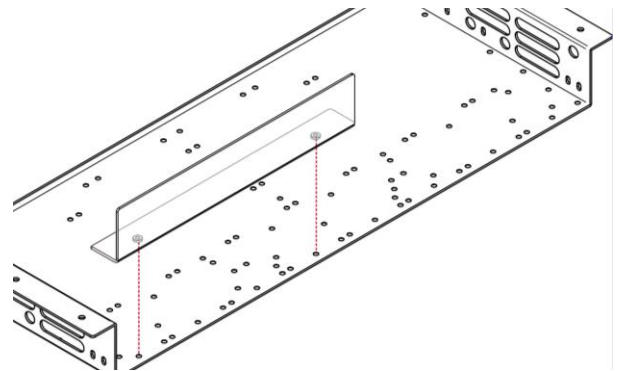
1. Place the unit on the underside of a table and mark the correct location (of the table mounting screw holes).
2. Insert the six M4.2X18 wood screws (supplied) into the six rim screw holes (three on each side) and tighten them to attach the **RK-UT1** to the table.



If your Kramer device does not have screw holes on its underside, mount it via the screw holes on the sides of the **RK-UT1**.

**To mount a blank panel (optional) to cover any empty rack spaces:**

1. Place the blank panel in place.
2. Insert two M3x5 screws through the holes on the **RK-UT1** that fit the holes on the blank panel (optional, not supplied).



**Technical Specifications**

Environmental Conditions	Temperature Range	-40° to +70°C (-40° to 158°F)
	Humidity	10% to 90%, RHL non-condensing
Regulatory Compliance	Safety	CE
	Environmental	RoHs, WEEE
Enclosure	Type	Aluminum
General	Net Dimensions	19-inch (W), 7-inch (D) 1U (H)
	Shipping Dimensions (W, D, H)	49.5cm x 20.2cm x 5cm (19.5" x 7.95" x 1.97")
	Net Weight	2.18kg (4.8lbs)
	Shipping Weight	2.88kg (6.35lbs) approx.
Accessories	Included	20 M3x5 screws, 6 M4.2X18 wood screws
Specifications are subject to change without notice at <a href="http://www.kramerav.com">www.kramerav.com</a>		