

SA763PU

SMARTMOUNT. Articulating Wall Arm for 50"-80" Flat Panel Displays

From any angle, this wall arm mount reflects remarkable form and function. Extending the display up to 27.55" (700mm) from the wall and allowing for a full 180° of side-to-side motion for viewing in any part of the room. Fine-tuning of the installation is simple with its side-to-side display leveling and 1" (25.4mm) of vertical adjustment features that help achieve installation perfection. This articulating arm also provides display centering on the wall plate and integrates a desirable cable management system, centering the display on the wall when retracted and organizing and protecting the cables at all times. Designed and built in the USA, this mount maintains the same brilliant look as the entire SmartMount® 700 Series line of Articulating and Pivot Wall Arm Mounts.



FEATURES

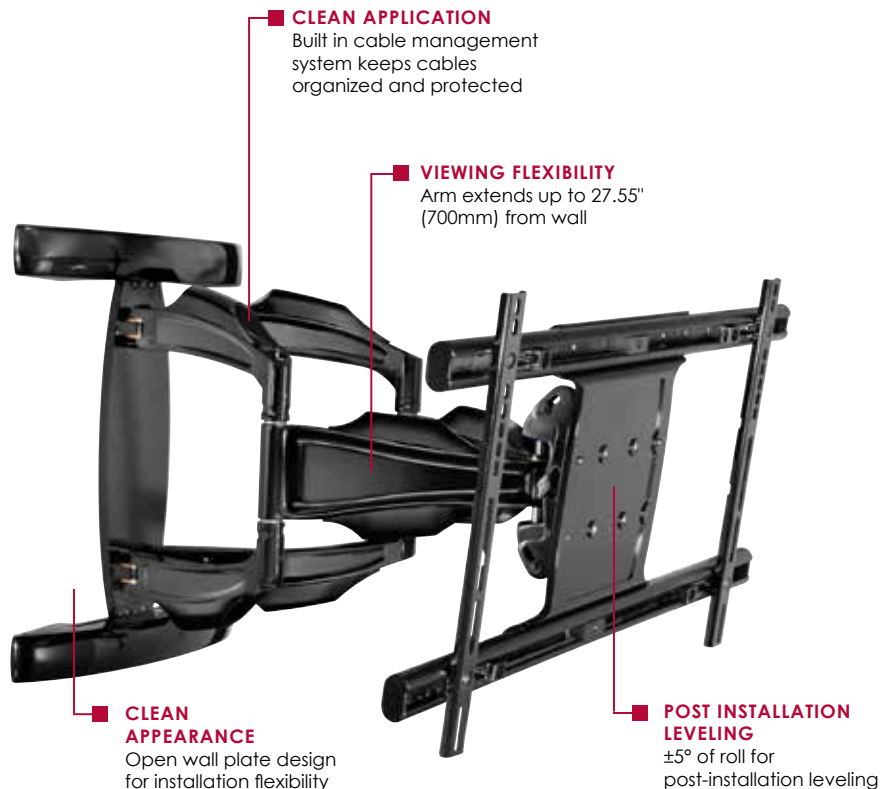
- Universal design provides compatibility for 50" to 80" displays with mounting patterns up to 687 x 439mm (27.06" x 17.29")
- Display can be held as close to the wall as 4.43" (113mm) or be extended as far as 27.55" (700mm)
- Integrated cable management contains, protects and conceals cables for a clean clutter-free look
- One-touch tilt allows for +15°/-5° without the use of tools for easy viewing angle adjustment
- Multi-link construction allows for a full 180° range of motion
- ±5° of roll allows for post installation leveling
- Landscape to portrait display orientation without needing to remove the display
- 1" (25.4mm) vertical adjustment for display position fine tuning
- Minimalistic wall plate footprint for increased wall access and improved aesthetics
- Horizontal display adjustment up to 4.5" (114mm) for perfect display placement



Display size: 50"-80"



Max load: 200lb (91kg)



CLEAN APPLICATION

Built in cable management system keeps cables organized and protected

VIEWING FLEXIBILITY

Arm extends up to 27.55" (700mm) from wall

CLEAN APPEARANCE

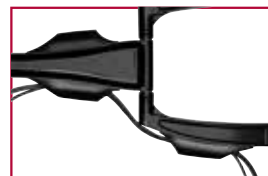
Open wall plate design for installation flexibility

POST INSTALLATION LEVELING

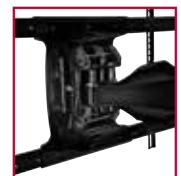
±5° of roll for post-installation leveling



Arm retracts to just 4.43" (113mm) and extends up to 27.55" (700mm) from wall



1" (25.4mm) clearance per channel for clean and simple cable management



1" (25.4mm) of vertical adjustment for post-installation fine tuning



Patented. Design Patent No. D623,177; D631,876; D627,767; D635,966; D623,635; D623,634. Utility Patent No. 8,028,964.

CLICK: peerless-av.com

CALL: 800.865.2112

FAX: 800.359.6500

peerless-AV

SA763PU SmartMount® Articulating Wall Arm for 50" to 80" Displays

Product Specifications

	DIMENSIONS (W x H x D)	PRODUCT WEIGHT	LOAD CAPACITY	FINISH	AVAILABLE COLORS
SA763PU	28.68" x 20.23" x 4.43"-27.55" (728 x 514 x 113-700mm)	50lb (23kg)	200lb (90kg)	Scratch resistant fused epoxy	SA763PU: Gloss Black

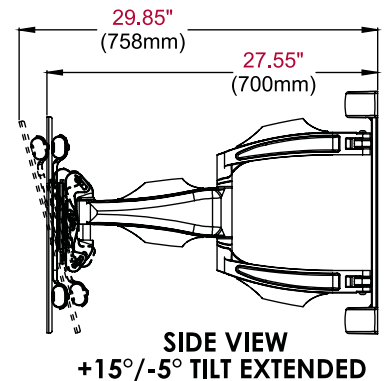
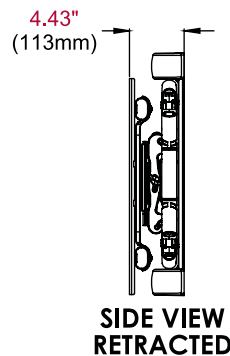
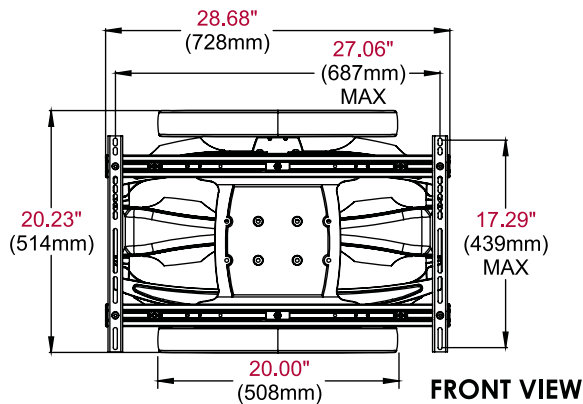
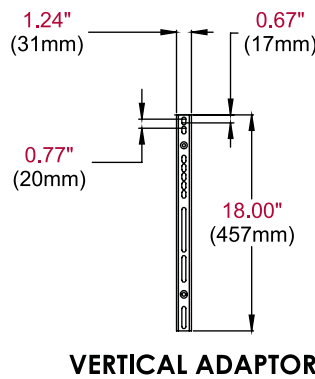
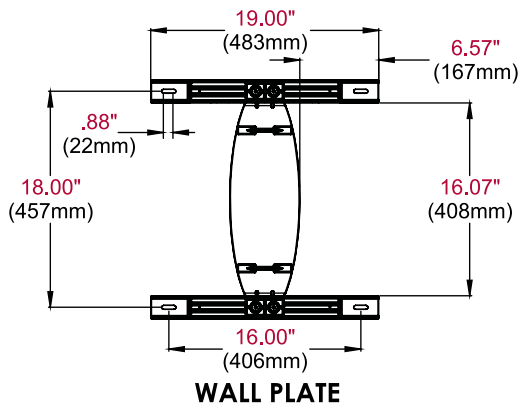
Package Specifications

	PACKAGE SIZE (W x H x D)	PACKAGE SHIP WEIGHT	PACKAGE UPC CODE	PACKAGE CONTENTS	UNITS IN PACKAGE
SA763PU	35.75" x 21.25" x 5.625" (908 x 540 x 143mm)	55lb (25kg)	SA763PU: 735029266600	Mount, wall and display attachment hardware, installation instructions	1

Accessories

ACC925: Security Fastener Pack
WSP756: Metal Stud Wall Plate Accessory

All dimensions = inch (mm)



ARCHITECTS SPECIFICATIONS

The SmartMount® Articulating Wall Mount shall be a Peerless-AV model SA763PU and shall be located where indicated on the plans. It shall feature scratch resistant black or silver fused epoxy finish. Assembly and installation shall be done according to instructions provided by the manufacturer.