

SAX772PU

SMARTMOUNT XT™

Universal Articulating Wall Arm for 50" to 80" Flat Panel Displays

From any angle, this wall arm mount reflects remarkable form and function. Retracting the flat panel display to a mere 2.6" (66mm) from the wall, extending it out to 26.54" (674mm) from the wall and allowing for a full 180° of side to side motion offers the possibility of perfectly positioning displays up to 80". A double stud and dual arm installation creates a more sound design for larger, heavier flat panel displays. With advanced features such as post-installation height adjustment, roll and lateral shift, fine-tuning of the installation is quick and simple. This articulating arm also integrates an internal cable management system that creates a clean and organized installation, while at the same time protecting the cables. Integrate an in-wall cable and power accessory into the wall plate cutout to complete the installation. Designed and built in the USA, this mount maintains the same brilliant you expect to find with the SmartMount® Series of Articulating and Pivot Wall Arm Mounts, but provides the premium features you can only find with SmartMountXT™.



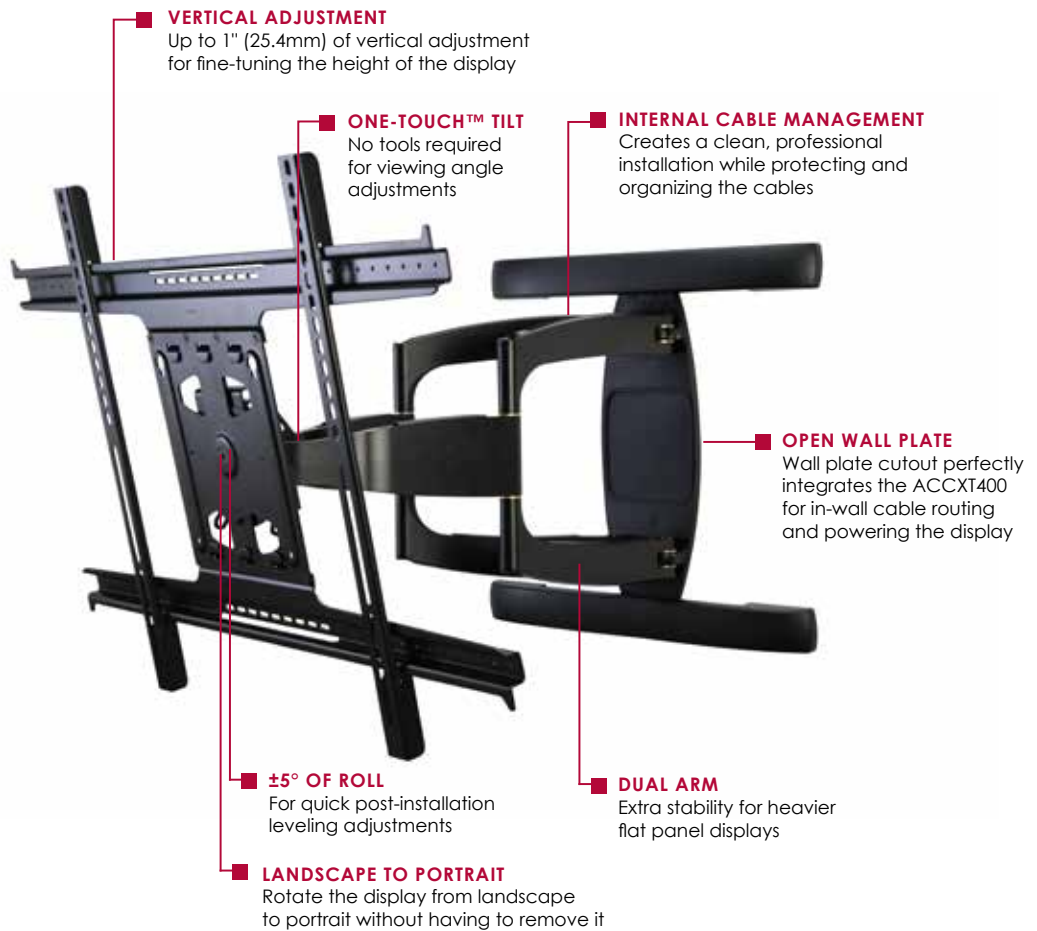
Display size: 50"-80"



Max load: 135lb (61.23kg)

FEATURES

- Low-profile when retracted at 2.6" (66mm) and can extend up to 26.54" (674mm) from the wall
- Internal cable management provides ample area to run cables to complete a clean, professional installation
- Stylish wall plate covers create a finished look and are easy to install and remove
- One-Touch™ tilt mechanism allows adjustment of +15/-5° without the use of tools
- ±5° of roll for post-installation leveling
- Display can be rotated from landscape to portrait without removing the display
- ±0.5" of vertical adjustment for post-installation height adjustment fine-tuning
- Open Wall Plate design and cutout increase electrical and cable management options
- Dual Arm, Double Stud Installation



Up to 1" (25.4mm) of height adjustment



Arm retracts to just 2.60" (66mm) and extends up to 26.54" (674mm) from the wall



Optional Accessory ACCX400



INTEGRATED PARTNER PROGRAM

Contact your Peerless-AV sales representative for more information

UL US Pending RoHS MADE IN USA OSHPD Approval Pending

CLICK: peerless-av.com

CALL: 800.865.2112

FAX: 800.359.6500

peerless-AV®

SAX772PU SmartMountXT™ Universal Articulating Wall Arm for 50" to 80" Flat Panel Displays

Product Specifications

	DIMENSIONS (W x H x D)	PRODUCT WEIGHT	LOAD CAPACITY	FINISH	AVAILABLE COLORS
SAX772PU	35.00" x 24.75" x 2.60"-26.54" (889 x 629 x 66-674mm)	47.50lb (21.55kg)	135lb (61.23kg)	Powder coat	Ravens Black

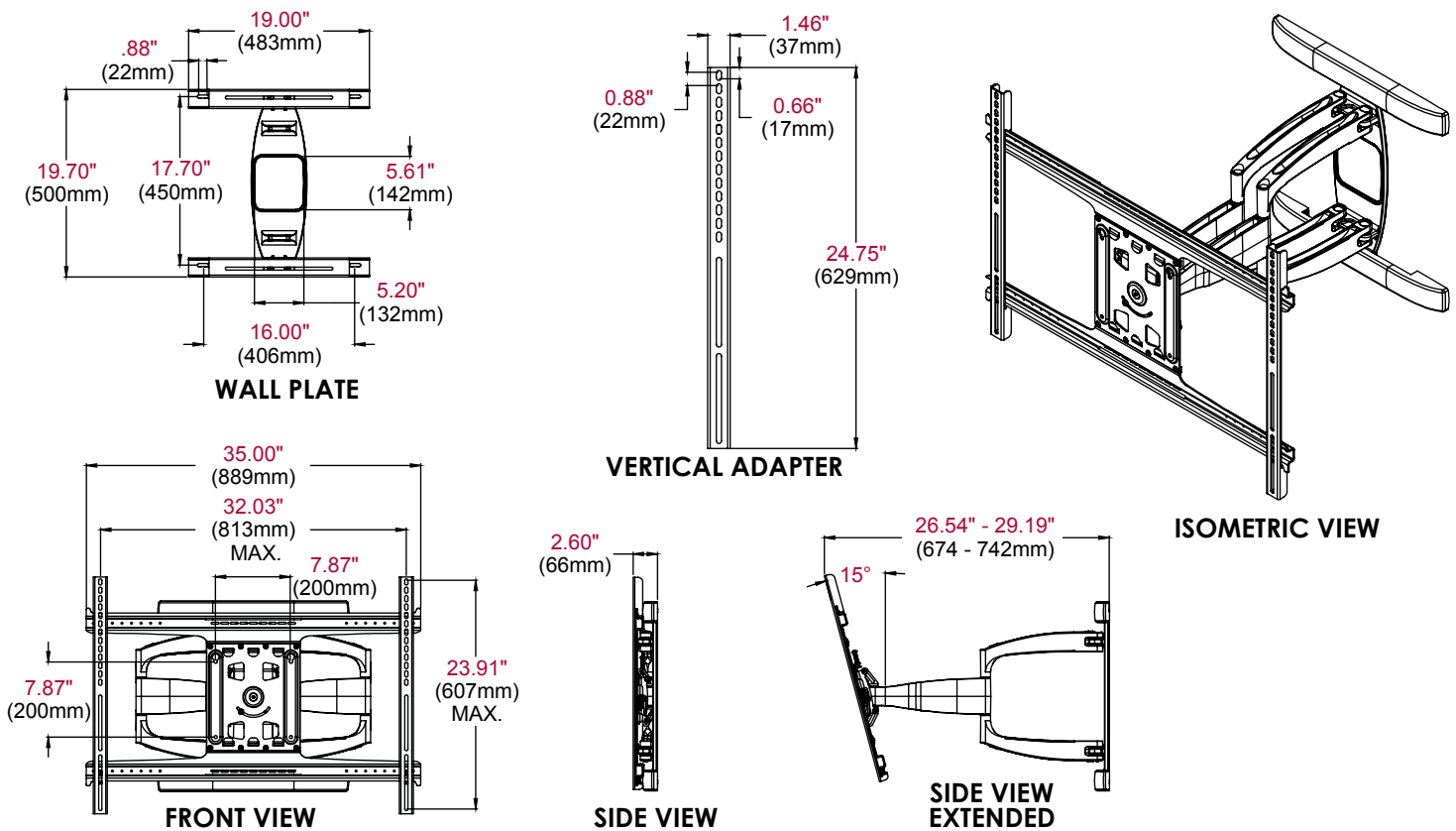
Package Specifications

	PACKAGE SIZE (W x H x D)	PACKAGE SHIP WEIGHT	PACKAGE UPC CODE	PACKAGE CONTENTS	UNITS IN PACKAGE
SAX772PU	20.875" x 6" x 41.625" (530 x 152 x 1057mm)	49.50lb (22.45kg)	735029282686	Mount, wall and display attachment hardware, installation instructions, display adapters	1

Accessories

- ACCXT400:** Recessed Power Outlet with Low Voltage In-Wall Cable Routing
- WSP756:** Metal Stud Wall Plate
- ACC953:** Component Shelf Accessory
- ACCXT100:** Left and Right Speaker Accessory Mount
- ACCXT200:** Soundbar Accessory Mount
- ACCXT300:** Video Conferencing Shelf Accessory
- IBA4-W:** Easy Mount Recessed Low Voltage Cable Plate
- IBA5-W:** Recessed Low Voltage Media Plate with Duplex Surge Suppressor

All dimensions = inch (mm)



ARCHITECTS SPECIFICATIONS

The SmartMountXT™ Universal Articulating Wall Arm shall be a Peerless-AV model SAX772PU and shall be located where indicated on the plans. It shall feature scratch resistant black fused epoxy finish. Assembly and installation shall be done according to instructions provided by the manufacturer.

Peerless Industries, Inc. ■ 2300 White Oak Circle ■ Aurora, IL 60502 ■ (800) 865-2112 ■ (630) 375-5100 ■ Fax: (800) 359-6500 ■ peerless-av.com

Visit peerless-av.com to see the complete line of AV solutions from Peerless-AV, including flat panel mounts, projector mounts, carts/stands, furniture, cables, screen cleaners and a full assortment of accessories.