

SC590(-S)



Display size
up to 90"



Max load
225lb (102kg)

Floor Cart

UP TO 90" DISPLAYS

The SC590 Floor Cart offers the most complete mobile solution for any large screen application. This versatile presentation cart allows you to hold meetings with AV support or simply to display information. A full line of accessories enable the cart to be fully tailored to meet your specific requirements.

The most complete mobile solution for any large screen application.



Additional Features

- ✓ Internal cable management for clean, clutter-free look
- ✓ Maneuvers easily on 4" (102mm) swivel casters, two locking
- ✓ Customizable with accessories



Model Numbers

WARRANTY: Limited 5-year

SC590(-S) Floor Cart for up to 90" Displays

Product Specifications

	DIMENSIONS (W X H X D)	PRODUCT WEIGHT	LOAD CAPACITY	FINISH	AVAILABLE COLORS
SC590(-S)	56.00" x 66.48" x 27.45" (1422 x 1689 x 697mm)	98.0lb (44.6kg)	225lb (102kg)	Powder coat	SC590: Black SC590-S: Silver

Package Specifications

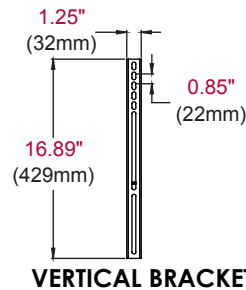
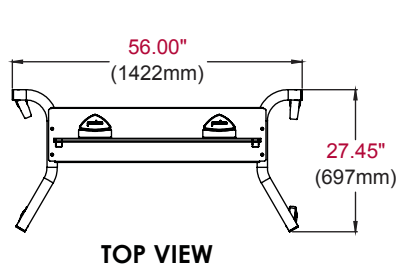
	PACKAGE SIZE (W x H x D)	PACKAGE SHIP WEIGHT	PACKAGE UPC CODE	PACKAGE CONTENTS	UNITS IN PACKAGE
SC590(-S)	57.75" x 19.25" x 7.75" (1466 x 488 x 196mm)	103lb (46.9kg)	SC590: 735029292425 SC590-S: 735029292432	Base, 2 legs, 4 wheels, 2 columns, adaptor plate, 2 adaptor brackets	1

Accessories

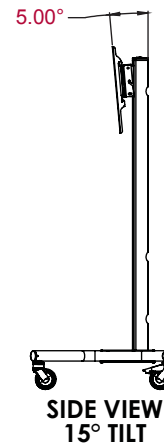
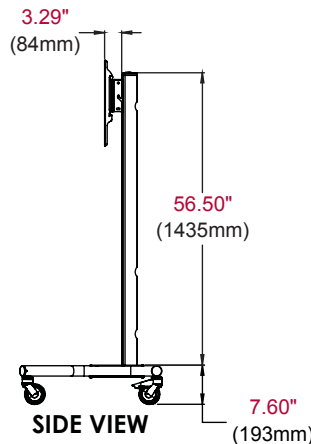
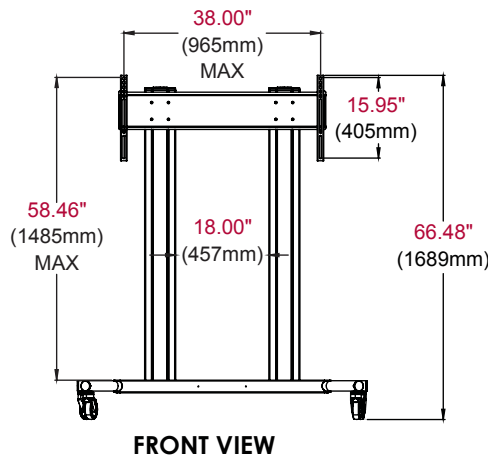
ACC310: Feet Accessory
ACC313: Metal Shelf

ACC314: Laptop Arm
ACC316: Safety Belt

ACC318: Tempered Glass Shelf
ACC319: Video Conferencing Shelf
ACC964: Keyboard Tray



All dimensions = inch (mm)



Architect Specifications

The Floor Cart shall be a Peerless-AV model SC590(-S) and shall be located where indicated on the plans. It shall be finished in black or silver. Assembly and installation shall be done according to instructions provided by the manufacturer.

Visit peerless-av.com to see the complete line of AV solutions from Peerless-AV, including outdoor displays, wireless, kiosks, digital audio, display mounts, projector mounts, carts/stands, and a full assortment of accessories.

Peerless-AV
2300 White Oak Circle
Aurora, IL 60502 USA
(800) 865-2112
(630) 375-5100
Fax: (800) 359-6500

Peerless-AV Europe
Unit 3 Watford Interchange
Colonial Way, Watford
Herts, WD24 4WP
United Kingdom
+44 (0) 1923 200100
Fax: +44 (0) 1923 200101

Peerless-AV de México
Ave de las Industrias 413
Parque Industrial Escobedo
Escobedo, N.L.,
Mexico 66050
+52 (81) 8384-8300
Fax: +52 (81) 8384-8360

peerless-AV®

LIT-0943 rev.4