

SF640-HUB2



Mounting Pattern
350 x 350mm
(13.78" x 13.78")



Max Load
80lb
(36.3 kg)

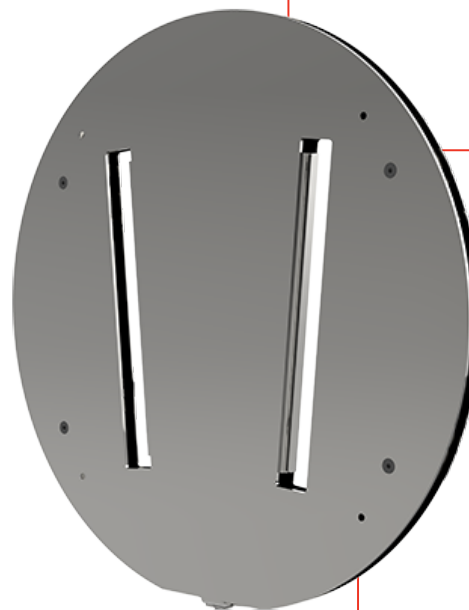
SMARTMOUNT

Flat Wall Mount

FOR 50.5" MICROSOFT® SURFACE™ HUB 2S AND 2X

The SmartMount® Flat Wall Mount was designed specifically for use with the 50.5" Microsoft® Surface™ Hub 2S and 2X. The mount's circular design perfectly matches the rear of the Surface Hub, and provides direct access to the power and data connections. There is also complete access to the computing cartridge, allowing for the cartridge to be easily removed and re-installed without having to remove the display. This low-profile mounting solution positions the display only 3.52" (89.4mm) from the wall for a sleek, ADA compliant installation.

- Accommodates 350 x 350mm VESA® mounting patterns
- Includes all necessary wall and display attachment hardware for the Microsoft® Surface™ Hub 2S and 2X, which meet the required length specified by Microsoft



■ **HOOK-AND-HANG™ INSTALLATION**

Display adaptor simply slides into the wall plate for quick and easy, one person installation

■ **ADA COMPLIANT SOLUTION**

The overall depth of the Microsoft® Surface™ Hub 2S and 2X combined with the mount is 3.52" (89.4mm) from the wall

■ **FLEXIBLE MOUNTING LOCATIONS**

Mounts to wood stud, concrete, cinder or breeze block and steel studs



RoHS



Please visit peerless-av.com/en-us/patents for patent information.

✉ info@peerless-av.com

🌐 peerless-av.com

peerless-AV[®]
Driving Technology Through Innovation

SF640-HUB2 SmartMount® Flat Wall Mount for 50.5" Microsoft® Surface™ Hub 2S and 2X

Product Specifications

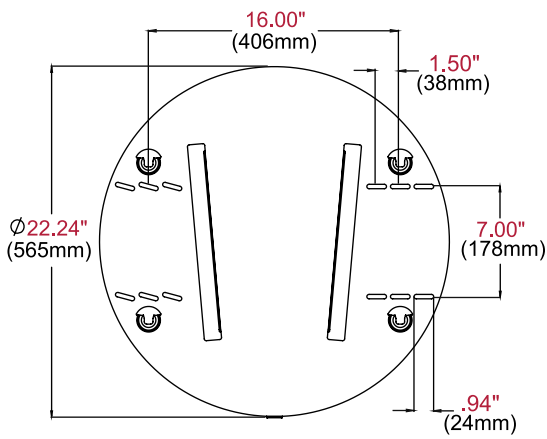
	DIMENSIONS (W x H x D)	PRODUCT WEIGHT	LOAD CAPACITY	FINISH	AVAILABLE COLORS
SF640-HUB2	22.24" x 22.24" x 0.52" (565 x 565 x 13mm)	13.8lb (6.3kg)	80lb (36.3kg)	Scratch Resistant Fused Epoxy	Silver

Package Specifications

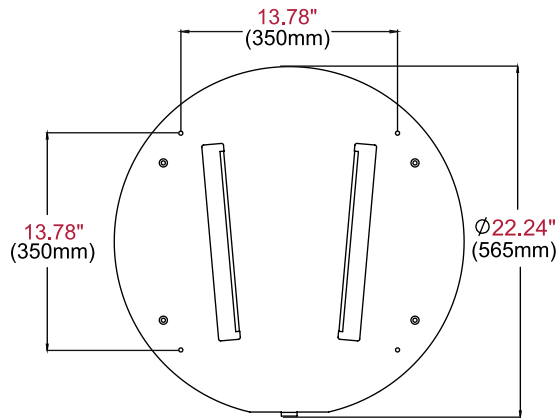
	PACKAGE SIZE (W x H x D)	PACKAGE SHIP WEIGHT	PACKAGE UPC CODE	PACKAGE CONTENTS	UNITS IN PACKAGE
SF640-HUB2	24.50" x 24.50" x 2.25" (622 x 622 x 57mm)	16.4lb (7.4kg)	735029338239	Wall Mount, Wall and Display Installation Hardware, Installation Instructions	1

Accessories ACC415: 4-pack Metal Stud Fastener Kit

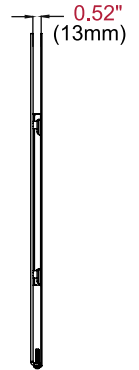
All dimensions = inch (mm)



WALL PLATE FRONT VIEW



ADAPTOR BRACKET FRONT VIEW



ADAPTOR BRACKET AND WALL PLATE SIDE VIEW

Architect Specifications

The SmartMount® Flat Wall Mount for 50.5" Microsoft® Surface™ Hub 2S and 2X shall be a Peerless-AV model SF640-HUB2 and shall be located where indicated on the plans. Assembly and installation shall be done according to instructions provided by the manufacturer.

Visit peerless-av.com to see the complete line of AV solutions from Peerless-AV, including outdoor displays, kiosks, digital audio, display mounts, projector mounts, carts/stands, and a full assortment of accessories.

Peerless-AV
2300 White Oak Circle
Aurora, IL 60502 USA
(800) 865-2112
(630) 375-5100
Fax: (800) 359-6500

Peerless-AV EMEA
Unit 3 Watford Interchange
Colonial Way, Watford
Herts, WD24 4WP
United Kingdom
+44 (0) 1923 200100
Fax: +44 (0) 1923 200101

Peerless-AV Latin America
Av. de las Industrias 413
Parque Industrial Escobedo
General Escobedo, N.L.,
México, 66062
+52 (81) 8384-8300
Fax: +52 (81) 8384-8360

