

SGLS01  
SGLB01

## Flat Panel Floor Stand for up to 65" Displays

This flat panel stand for up to 65" displays provides tilt and vertical adjustment features to achieve the ideal viewing angle. Centralized AV component and accessory placement is easy with an adjustable glass shelf and a triangular base. Designed to hide all cords and cables, its internal management system offers a clean, clutter-free appearance.



### FEATURES

- Provides tilt and vertical adjustment features to achieve the ideal viewing angle
- Incremental tilt of  $-2^{\circ}$ ,  $0^{\circ}$  and  $+5^{\circ}$  to achieve the ideal display viewing angle
- Vertical display adjustment feature for optimal viewing height
- Internal cable management neatly hides all cords and cables for a clean, clutter-free look
- Adjustable glass shelving for AV components and accessories hold up to 50lb



Display size: up to 65"



Max load  
Display: 150lb (68kg)  
Shelf (ea): 50lb (22.6kg)



#### VERTICAL ADJUSTMENT

Continuous vertical adjustment allows you to position display to desired viewing height

#### COMPONENT PLACEMENT

Clear glass shelf provide storage space for AV components

#### SLEEK DESIGN

Unique triangular base design is ideal for fitting in tight locations like a corner or where space is limited



Internal cable management



Incremental tilt



RoHS  
2002/95/EC

MADE IN  
USA

Patented. Design Patent No. D539,566. SGLB01 Utility Patent No. 8,517,322.

CLICK: [peerless-av.com](http://peerless-av.com) CALL: 800.865.2112 FAX: 800.359.6500

peerless-AV®

# Model Numbers

**WARRANTY: Limited 5-year**

**SGLS01/SGLB01** Flat Panel Floor Stand for up to 65" Displays

## Product Specifications

	DIMENSIONS (W x H x D)	PRODUCT WEIGHT	LOAD CAPACITY	FINISH	AVAILABLE COLORS
<b>SGLS01/SGLB01</b>	40.15" x 61.00" x 25.53" (1020 x 1549 x 648mm)	64.3lb (29.1kg)	Display: 150lb (68kg) Shelf: 50lb ea (22.6kg)	Scratch resistant fused epoxy	SGLS01: Silver stand with 1 clear shelf SGLB01: Black stand with 1 clear shelf

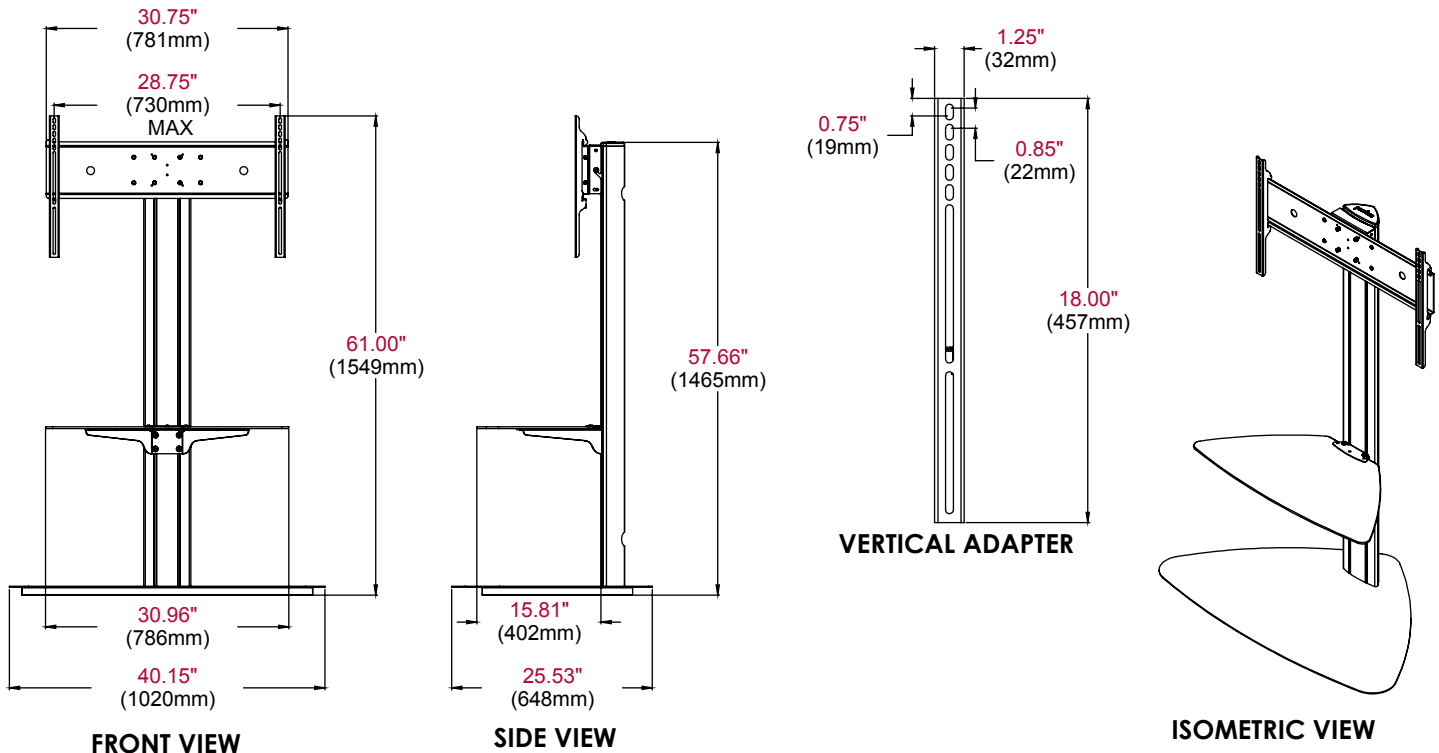
## Package Specifications

	PACKAGE SIZE (W x H x D)	PACKAGE SHIP WEIGHT	PACKAGE UPC CODE	PACKAGE CONTENTS	UNITS IN PACKAGE
<b>SGLS01/SGLB01</b>	27.50" x 57.50" x 6.70" (698.5 x 1460.5 x 170.1mm)	69lb (31.29kg)	SGLS01: 735029245308 SGLB01: 735029246961	Stand, 1 shelf, universal display adaptor, assembly and display attachment hardware	1

## Accessories

- ACC318-GB:** Tinted glass shelf with high gloss black bracket
- ACC318-S:** Tinted glass shelf with silver bracket

All dimensions = inch (mm)



## ARCHITECTS SPECIFICATIONS

Flat Panel Stand shall be a Peerless-AV model SGLS01, SGLB01 and shall be installed where indicated on the plans. It shall be constructed of heavy gauge cold rolled steel and finished with scratch resistant black or silver fused epoxy. Assembly and installation shall be done according to instructions provided by the manufacturer.

Peerless Industries, Inc. ■ 2300 White Oak Circle ■ Aurora, IL 60502 ■ (800) 865-2112 ■ (630) 375-5100 ■ Fax: (800) 359-6500 ■ peerless-av.com

Visit peerless-av.com to see the complete line of AV solutions from Peerless-AV, including flat panel mounts, projector mounts, carts/stands, furniture, cables, screen cleaners and a full assortment of accessories.