



KRAMER ELECTRONICS LTD.

# USER MANUAL

MODEL:

**SID-X3N**  
Step-in Commander

---

P/N: 2900-300304 Rev 5

# SID-X3N Step-In Commander Quick Start Guide



This guide helps you install and use your **SID-X3N** for the first time. Go to <http://www.kramerav.com/manual/SID-X3N> to download the latest manual (or scan the QR code) and check if firmware upgrades are available.

## Step 1: Check what's in the box

- ✓ **SID-X3N** Step-In Commander
- ✓ Power adapter (12V DC)

- ✓ 1 Quick start guide
- ✓ 4 Rubber feet

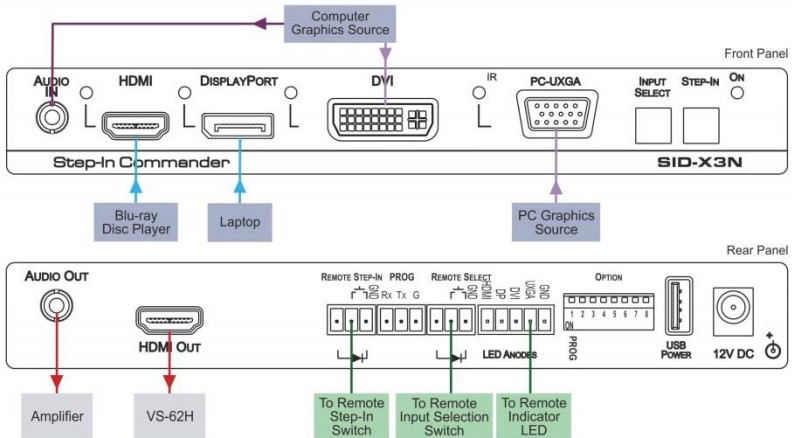


## Step 2: Install the SID-X3N

Mount the device in a rack (using the optional **RK-3T** rack adapter available for purchase) or attach the rubber feet and place it on a shelf.

## Step 3: Connect the inputs and output

Always switch off the power to all devices before connecting them to your **SID-X3N**.



## Step 4: Set the DIP-switches

#	Feature	Function	Switch State
1	Program	Enables firmware updates	On—Enable updating Off—Disable updating
2	General Audio Control	Selects whether or not the analog audio is embedded in the output	On—Use embedded audio and DIP-switch 3 controls the DVI audio Off—Use analog audio
3	DVI Audio Control (active only when DIP-switch 2 is on)	Selects whether or not the analog audio is embedded in the DVI signal	On—Use analog audio in the DVI signal Off—Use the audio present on the DVI input
4	Video Mode Input Selection	Sets the video selection mode to either last connected or manual	On—Last connected Off—Manual
5	Lock EDID	Locks the current EDID	On—EDID locked Off—Automatic EDID selection
6	Switching Delay	Selects the time delay before switching occurs when an input cable is removed. <b>Note:</b> The delay is independent of the input switching mode	When the input signal is lost but the cable is not removed: On—0.5 seconds Off—10 seconds  When the cable is removed: On—0.5 seconds Off—3 seconds
7	Output Disable Delay	Sets the time delay between loss of the input signal and output power shutdown	On—1 minute Off—15 minutes
8	Output Power Control	Enables/disables the output power in cases where the input signal is lost	On—Power is always on Off—Power is disabled when input signal is lost

## Step 5: Connect the power

Connect the power adapter to the **SID-X3N** and plug the adapter into the mains electricity.



## Step 6: Operate the SID-X3N

» Press the Input Select button to toggle through the inputs.

» Press the Step-In button to activate the input (VS-62H).

## Contents

<b>1</b>	<b>Introduction</b>	<b>5</b>
<b>2</b>	<b>Getting Started</b>	<b>6</b>
2.1	Achieving the Best Performance	6
2.2	Safety Instructions	6
2.3	Shielded Twisted Pair/Unshielded Twisted Pair	7
2.4	Recycling Kramer Products	7
<b>3</b>	<b>Overview</b>	<b>8</b>
<b>4</b>	<b>Defining the SID-X3N Step-in Commander</b>	<b>10</b>
<b>5</b>	<b>Connecting the SID-X3N</b>	<b>12</b>
5.1	Connecting the Remote Step-In Switch and LED	13
5.2	Connecting the Remote Select Switch and LED	14
5.3	Connecting the Remote Input Selection LEDs	15
<b>6</b>	<b>Principles of Operation</b>	<b>16</b>
6.1	Video Input Selection	16
6.2	Audio Signal Control	17
6.3	Automatic Output Shutdown	17
<b>7</b>	<b>Operating the SID-X3N</b>	<b>18</b>
7.1	Manually Selecting an Input	18
7.2	Taking Control of the Switcher Input When Connected to the VS-62H	19
7.3	Locking the EDID	19
7.4	Audio Mode Selection	19
7.5	Adjusting the UXGA Input Phase	19
<b>8</b>	<b>Configuring the SID-X3N</b>	<b>20</b>
8.1	Setting the Configuration DIP-switch	20
<b>9</b>	<b>Technical Specifications</b>	<b>22</b>
9.1	Supported Resolutions	23
<b>10</b>	<b>Default EDID</b>	<b>25</b>
10.1	HDMI, DisplayPort and DVI	25
10.2	PC-UXGA	27
<b>11</b>	<b>Remote Commands</b>	<b>29</b>
11.1	Kramer Protocol 3000 Syntax	29
11.2	Kramer Protocol 3000 Commands	32
11.3	RS-232 Hardware Interface	35

## Figures

Figure 1:	SID-X3N Step-in Commander Front Panel	10
Figure 2:	SID-X3N Step-in Commander Rear Panel	11
Figure 3:	Connecting the SID-X3N Step-in Commander	12
Figure 4:	Remote Step-In Switch and LED Wiring	13
Figure 5:	Remote Select Switch and LED Wiring	14
Figure 6:	Remote Input Indicator LED Connections	15
Figure 7:	Remote Input Indicator LED Wiring	15
Figure 8:	The Configuration DIP-switch	20

---

# 1 Introduction

Welcome to Kramer Electronics! Since 1981, Kramer Electronics has been providing a world of unique, creative, and affordable solutions to the vast range of problems that confront video, audio, presentation, and broadcasting professionals on a daily basis. In recent years, we have redesigned and upgraded most of our line, making the best even better!

Our 1,000-plus different models now appear in 14 groups that are clearly defined by function: GROUP 1: Distribution Amplifiers; GROUP 2: Switchers and Routers; GROUP 3: Control Systems; GROUP 4: Format/Standards Converters; GROUP 5: Range Extenders and Repeaters; GROUP 6: Specialty AV Products; GROUP 7: Scan Converters and Scalers; GROUP 8: Cables and Connectors; GROUP 9: Room Connectivity; GROUP 10: Accessories and Rack Adapters and GROUP 11: Sierra Video Products; GROUP 12: Digital Signage; and GROUP 13: Audio, and GROUP 14: Collaboration.

Thank you for purchasing the Kramer MegaTOOLS® **SID-X3N** *Step-in Commander* which is ideal for:

- Display systems requiring simple input selection
- Remote monitoring of computer activity in schools and businesses
- Rental/staging applications
- Multimedia and presentation source selection

---

## 2 Getting Started

We recommend that you:

- Unpack the equipment carefully and save the original box and packaging materials for possible future shipment
- Review the contents of this user manual



Go to [www.kramerav.com/downloads/SID-X3N](http://www.kramerav.com/downloads/SID-X3N) to check for up-to-date user manuals, application programs, and to check if firmware upgrades are available (where appropriate).

### 2.1 Achieving the Best Performance

To achieve the best performance:

- Use only good quality connection cables (we recommend Kramer high-resolution, high-quality cables) to avoid interference, deterioration in signal quality due to poor matching, and elevated noise levels (often associated with low quality cables)
- Do not secure the cables in tight bundles or roll the slack into tight coils
- Avoid interference from neighboring electrical appliances that may adversely influence signal quality
- Position your Kramer **SID-X3N** away from moisture, excessive sunlight and dust



This equipment is to be used only inside a building. It may only be connected to other equipment that is installed inside a building.

### 2.2 Safety Instructions



**Caution:** There are no operator serviceable parts inside the unit

**Warning:** Use only the Kramer Electronics input power wall adapter that is provided with the unit

**Warning:** Disconnect the power and unplug the unit from the wall before installing

## 2.3 Shielded Twisted Pair/Unshielded Twisted Pair

Kramer engineers have developed special twisted pair cables to best match our digital twisted pair products; the Kramer **BC-DGKat623** (CAT 6 23 AWG cable), and the Kramer **BC-DGKat7a23** (CAT 7a 23 AWG cable). These specially built cables significantly outperform regular CAT 6 and CAT 7a cables.

## 2.4 Recycling Kramer Products

The Waste Electrical and Electronic Equipment (WEEE) Directive 2002/96/EC aims to reduce the amount of WEEE sent for disposal to landfill or incineration by requiring it to be collected and recycled. To comply with the WEEE Directive, Kramer Electronics has made arrangements with the European Advanced Recycling Network (EARN) and will cover any costs of treatment, recycling and recovery of waste Kramer Electronics branded equipment on arrival at the EARN facility. For details of Kramer's recycling arrangements in your particular country go to our recycling pages at [www.kramerav.com/support/recycling/](http://www.kramerav.com/support/recycling/).

---

## 3 Overview

The **SID-X3N** accepts an HDMI, DisplayPort, DVI and PC graphics video input, as well as an unbalanced stereo audio input (which is embedded into the output signal), and transmits the signal via HDMI cable to a compatible switcher, (for example, the **VS-62H**). The device also provides an unbalanced, stereo audio output. When the **SID-X3N** is connected to a switcher, it can also control the input selection of the switcher.

In particular the **SID-X3N** features:

- HDTV support
- HDMI with Deep Color, x.v.Color™ and 3D
- HDCP compliancy—works with sources that support HDCP repeater mode

**Note:** When using a MacBook as a source and the content is protected using HDCP, if the display does not support HDCP, no video is transmitted

- Input signal detection based on video clock presence
- Automatic input selection based on manual selection or last connected input
- Automatic analog audio detection and embedding
- Automatic output shutdown when the input signal is lost (with a configurable delay)
- Programmable step-in functionality (when used with the **VS-62H** connected via an HDMI cable that supports HEC, HDMI Ethernet Channel)
- I-EDIDPro™ Kramer Intelligent EDID Processing™ – Intelligent EDID handling & processing algorithm ensures Plug and Play operation for HDMI systems
- A lockable EDID
- VGA phase adjustment
- Power-over-Ethernet passes electrical power along with data on Ethernet cabling. This allows a single cable to provide both data connection and electrical power to compatible devices



- Equalization and reclocking of the data
- A maximum data rate of 6.75Gbps (2.25Gb per graphics channel)
- Support for digital audio formats
- A MegaTOOLS® sized enclosure. Two devices can be mounted in a rack using the optional **RK-T2B** adapter

You can control the **SID-X3N** using the front panel buttons, or remotely via contact closure switches.

## 4 Defining the SID-X3N Step-in Commander

Figure 1 defines the front panel of the SID-X3N.

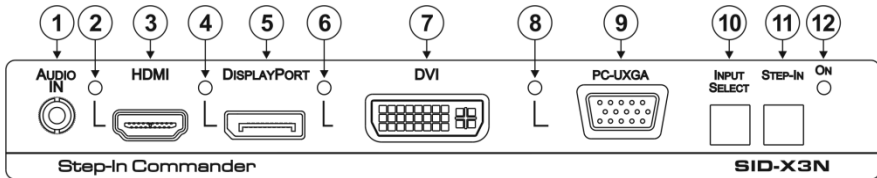


Figure 1: SID-X3N Step-in Commander Front Panel

#	Feature	Function	
1	AUDIO IN 3.5mm Mini Jack	Connect to an unbalanced stereo audio source	
2	HDMI	LED	Lights green when the HDMI input is selected
3		HDMI Connector	Connect to an HDMI source
4	DisplayPort	LED	Lights green when the DisplayPort input is selected
5		DP Connector	Connect to a DisplayPort source
6	DVI	LED	Lights green when the DVI input is selected
7		DVI Connector	Connect to a DVI source
8	PC-UXGA	LED	Lights green when the PC-UXGA input is selected
9		PC-UXGA 15-pin HD Connector (F)	Connect to a PC graphics source
10	INPUT SELECT Button	Press repeatedly to cycle through the inputs manually to select an input signal and override the automatic selection, (see <a href="#">Section 7.1</a> ) <b>Note:</b> When the button is lit it is inactive and pressing the button will not activate the input	
11	STEP-IN Button	Press to activate the input on the switcher that the SID-X3N is connected to, (see <a href="#">Section 7.2</a> )	
12	ON LED	Lights green when the device is powered on	

Figure 2 defines the rear panel of the **SID-X3N**.

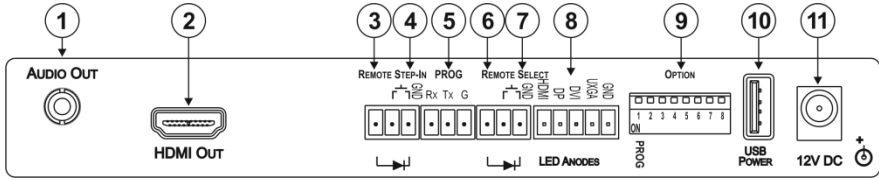


Figure 2: SID-X3N Step-in Commander Rear Panel

#	Feature	Function
1	AUDIO OUT 3.5mm Mini Jack	Connect to an unbalanced, stereo audio acceptor, (see <a href="#">Section 4</a> )
2	HDMI OUT Connector	Connect to a compatible switcher, for example, VS-62H using an HDMI cable
3	REMOTE STEP-IN 3-pin Terminal Block	LED
4	PROG 3-pin Terminal Block	Switch
5	REMOTE SELECT 3-pin Terminal Block	Connect to the PC via RS-232 to perform a firmware upgrade
6	LED ANODES 8-pin Terminal Block	LED
7	OPTION 8-pin Terminal Block	Switch
8	OPTION 8-pin Terminal Block	LED HDMI, DP, DVI and UXGA
9	OPTION 8x DIP-switch	Used to set the device behavior, (see <a href="#">Section 8</a> )
10	USB POWER Connector	Provides 5V DC power to a device, (max 1.5A)
11	12V DC Power Connector	Connect to supplied power adapter, center pin positive

## 5 Connecting the SID-X3N



Switch off the power to all devices before connecting them to your **SID-X3N**. After connecting your **SID-X3N** connect the power to other devices.

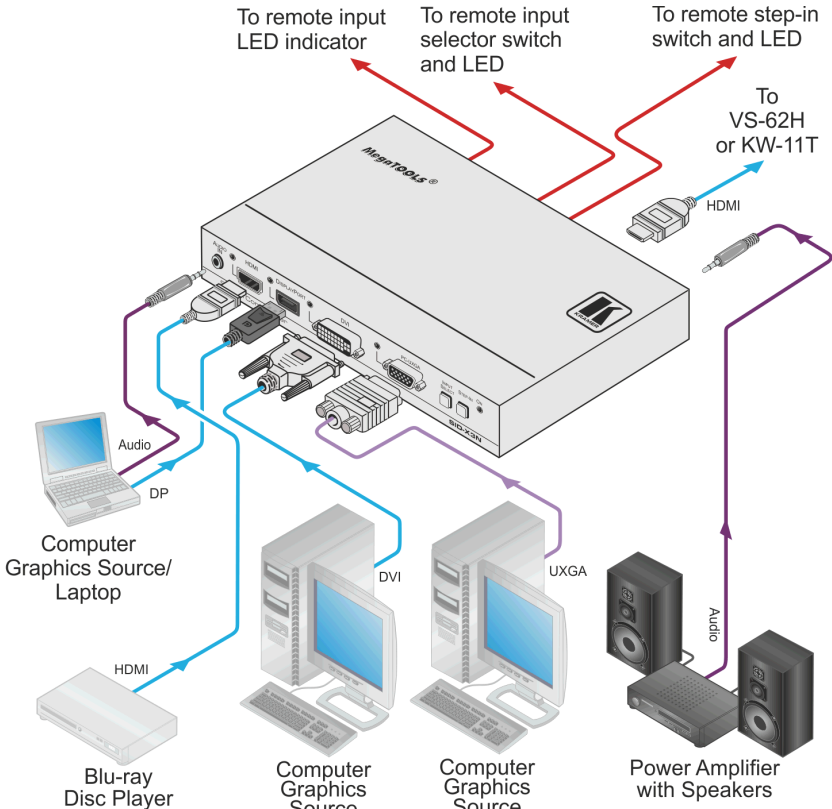


Figure 3: Connecting the SID-X3N Step-in Commander

To connect the SID-X3N as illustrated in [Figure 3](#):

1. Connect up to four video sources, (for example, a Blu-ray disc player, a laptop, and two computer graphics sources) to the video input connectors.
2. Connect the unbalanced stereo audio source, (for example, the audio output of the laptop) to the AUDIO IN 3.5mm mini jack.

3. Connect the AUDIO OUT 3.5mm mini jack to the unbalanced, stereo audio acceptor, (for example, a power amplifier with speakers).
4. Connect the HDMI OUT connector to a compatible switcher, (for example, **VS-62H** or **KW-11T**).
5. Connect the REMOTE STEP-IN 3-way terminal block to a contact closure switch and LED, (see [Section 5.1](#)).
6. Connect the REMOTE SELECT 3-way terminal block to a momentary contact closure switch and LEDs, (see [Section 5.2](#)).
7. Connect the LED ANODES 5-way terminal block to the remote input indicator LEDs, (see [Section 5.3](#)).
8. If required, connect a device requiring a 5V DC power supply, (for example, the **KW-11T**, not shown in [Figure 3](#)).
9. Connect the power adapter to the **SID-X3N** and to the mains power, (not shown in [Figure 3](#)).

**Note:** All LED supplies include a current limiting resistor and are designed to work with any standard LED.

## 5.1 Connecting the Remote Step-In Switch and LED

You can connect a remote, contact closure step-in switch to take control of the input of the attached switcher, as well as a remote step-in LED to the REMOTE STEP-IN terminal block on the rear panel of the **SID-X3N**.

[Figure 4](#) illustrates the connections from the terminal block to the switch and LED.

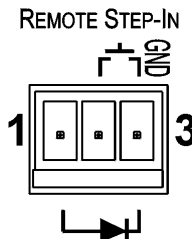


Figure 4: Remote Step-In Switch and LED Wiring

To connect a remote step-in switch and LED as illustrated in the example in [Figure 4](#):

1. Connect pins 2 and 3 from the terminal block to the remote step-in switch.
2. Connect pin 1 from the terminal block to the anode of the remote step-in LED.
3. Connect pin 3 from the terminal block to the cathode of the remote step-in LED.

## 5.2 Connecting the Remote Select Switch and LED

You can connect a remote, contact closure, input selection switch to activate an input (momentary contact is sufficient to switch inputs), as well as an indicator LED to the terminal block on the rear panel of the **SID-X3N**.

[Figure 5](#) illustrates the connections from the terminal block to the switch and LED.

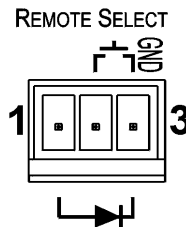


Figure 5: Remote Select Switch and LED Wiring

To connect a remote selection switch and LED as illustrated in the example in [Figure 5](#):

1. Connect pins 2 and 3 from the terminal block to the remote selection switch.
2. Connect pin 1 from the terminal block to the anode of the remote selection LED.
3. Connect pin 3 from the terminal block to the cathode of the remote selection LED.

## 5.3 Connecting the Remote Input Selection LEDs

You can connect remote, input selection LEDs to the LED terminal block on the rear panel of the **SID-X3N** to indicate which is the active input.

[Figure 6](#) illustrates the connections from the terminal block to the LEDs.

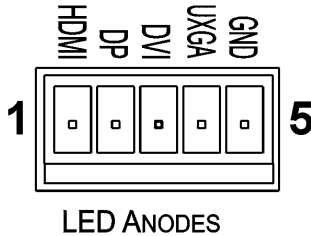


Figure 6: Remote Input Indicator LED Connections

### To connect remote input indicator LEDs:

1. Connect pin 1 from the terminal block to the anode of the remote HDMI indicator LED.
2. Connect pin 2 from the terminal block to the anode of the remote DP indicator LED.
3. Connect pin 3 from the terminal block to the anode of the remote DVI indicator LED, (see the example in [Figure 7](#)).
4. Connect pin 4 from the terminal block to the anode of the remote UXGA indicator LED.
5. Connect pin 5 from the terminal block to the cathode of each LED.

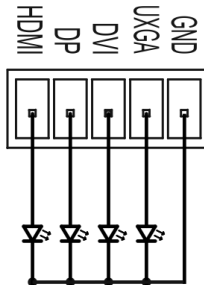


Figure 7: Remote Input Indicator LED Wiring

---

## 6 Principles of Operation

This chapter describes the principles of operation of the **SID-X3N** and comprises:

- Video input selection (see [Section 6.1](#))
- Audio signal control (see [Section 6.2](#))

The **SID-X3N** selects video and audio inputs based on the rules described below.

### 6.1 Video Input Selection

The video mode selection is set by the DIP-switches (see [Section 8](#)) to either of the following:

- Manual
- Last connected

In manual mode the input is selected using the front panel buttons. Only inputs with a live signal present can be selected.

In last connected mode the **SID-X3N** selects the input based on which input was connected last. If the signal on this input is subsequently lost for any reason, the input with a live signal with the highest priority is selected automatically. The priority from highest to lowest is:

- HDMI
- DisplayPort
- DVI
- PC

**Note:** In last connected mode, manually selecting an input using the front panel Input Select button overrides the last-connected automatic selection.

When an input cable is removed, there is a delay of either 0.5 or 3 seconds, (selectable, see [Section 8.1](#)) before automatic switching takes place. After that, another input can be automatically selected according to the signal priority shown above.



## 6.2 Audio Signal Control

The Option DIP-switches 2 and 3 (see [Section 8](#)) control the manner in which audio is handled.

The following table describes which audio signal is embedded in the output.

DIP-switch 2	DIP-switch 3	3.5mm Mini Jack	Input	Audio on Output
On/Off	On/Off	On/Off	VGA	3.5mm mini jack
Off	On/Off	Inserted	HDMI/DP/DVI	3.5mm mini jack
		Not inserted		Embedded HDMI/DP/DVI
On	On/Off	Inserted/Not inserted	HDMI/DP	Embedded HDMI/DP
On	Off	Inserted/Not inserted	DVI	Embedded DVI
On	On	Inserted/Not inserted		3.5mm mini jack

## 6.3 Automatic Output Shutdown

The **SID-X3N** can disable the output (signal and 5V) when there is no signal for a specified period in:

- Manual mode—when the signal on the currently selected input is lost
- Automatic mode—when there is no signal on any of the inputs

The delay period is set by the DIP-switch, (see [Section 8.1](#)). At the end of this period, both the output signal and the power supply to other devices are disabled.

The return of an input signal on either the currently selected input (in manual mode), or on any input (in automatic mode), immediately re-activates the output.

---

## 7 Operating the SID-X3N

This chapter describes the operating procedures of the **SID-X3N** and comprises:

- Manually selecting an input (see [Section 7.1](#))
- Taking control of the switcher input (see [Section 7.2](#))
- Locking the EDID (see [Section 7.3](#))
- Audio mode selection (see [Section 7.4](#))

Powering up the **SID-X3N** recalls the last settings (that is, the configuration of the device when it was powered down) from the non-volatile memory.

### 7.1 Manually Selecting an Input

**Note:** When the button is lit it is inactive and pressing the button will not activate the input

**To manually select an input:**

- Press the INPUT SELECT button repeatedly until the required input is active as indicated by the associated LED

**Note:** Only inputs that have an active signal can be selected.

**Note:** The manual selection overrides the video selection mode set when in last connected mode and remains in effect until the device is power cycled.

## 7.2 Taking Control of the Switcher Input When Connected to the VS-62H

To activate the input of the **VS-62H** to which the **SID-X3N** is connected, press the STEP-IN button. If the **VS-62H** grants the **SID-X3N** access to the input, the STEP-IN button lights. If the **VS-62H** does not grant access for some reason, the button flashes for a few seconds and then does not light. This may be because the **VS-62H** input connected to the **SID-X3N** has been set to have a lower priority than the currently active input.

**Note:** Input priority on the **VS-62H** is set using the Kramer Control Software.

## 7.3 Locking the EDID

The currently stored EDID can be locked to prevent it from being overwritten. To lock the current EDID, set DIP-switch 5 to ON (see [Section 8](#)).

**Note:** The device must be power-cycled after you change this DIP-switch.

## 7.4 Audio Mode Selection

Option DIP-switches 2 and 3 control the manner in which audio is handled (see [Section 8](#)).

## 7.5 Adjusting the UXGA Input Phase

Adjust the phase to get a clean, sharp picture on the screen, with minimal horizontal streaking and shimmering.

**To adjust the UXGA input phase:**

- Press and hold the Input Select button to increase the phase repetitively by one degree per second
- Press and hold the Step-In button to decrease the phase repetitively by one degree per second

# 8 Configuring the SID-X3N

## 8.1 Setting the Configuration DIP-switch

The 8x dip-switch provides the ability to configure a number of device functions. A switch that is down is on, a switch that is up is off. By default, switch 2 is down (on), all the other switches are up (off).

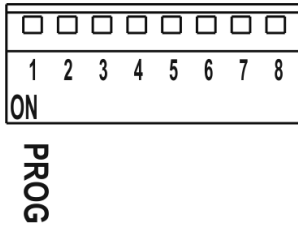


Figure 8: The Configuration DIP-switch

**Note:** You must power cycle the device if you make any changes to the DIP-switch.

#	Feature	Function	DIP-switch
1	Program	Enables firmware updates	On—Enable updating Off—Disable updating
2	General Audio Control	Selects whether the analog audio is embedded in the outputs, (see <a href="#">Section 6.2</a> )	On—Use embedded audio for HDMI and DP; the audio selection for DVI is selected by DIP-switch 3 Off—The HDMI, DVI and DP inputs use the analog audio signal if a 3.5mm audio jack is inserted into the analog audio input. If no jack is inserted, they use their embedded audio signals
3	DVI Audio Control (active only when DIP-switch 2 is on)	Selects whether the analog audio is embedded in the DVI signal	On—When switch #2 is on, the analog audio signal is used with the DVI input Off—When switch #2 is off, the embedded audio signal is used in the DVI input
4	Video Mode Input Selection	Sets the video input selection mode to either last connected or manual	On—Last connected Off—Manual
5	Lock EDID	Locks the current EDID, (see <a href="#">Section 7.3</a> )	On—Locked EDID Off—Automatic EDID selection

#	Feature	Function	DIP-switch
6	Switching Delay	Selects the time delay before switching occurs when an input cable is removed. <b>Note:</b> When the input sync is lost but the cable is not removed, the delay is always six seconds	When the input signal is lost but the cable is not removed: On—0.5 seconds Off—10 seconds
			When the cable is removed: On—0.5 seconds Off—3 seconds
7	Output Power Shutdown Delay	Sets the delay time between loss of the input signal and output power shutdown	On—1 minute Off—15 minutes
8	Output Power Control	Enables/disables the output power when the input signal is lost	On—Power is always on Off—Power is disabled when input signal is lost after delay set by DIP-switch 7

**Note:** DIP-switch 2 must be set to ON to enable DIP-switch 3 to control the DVI audio mode selection.

## 9 Technical Specifications

INPUTS:	Video:	1 HDMI on an HDMI connector 1 DP on a DisplayPort connector 1 DVI-D on a DVI-I connector 1 VGA on a 15-pin HD (F) connector
	Audio:	1 Unbalanced stereo audio on a 3.5mm mini jack
OUTPUTS:	1 HDMI on an HDMI connector 1 Unbalanced stereo audio in a 3.5mm mini jack	
PORTS:	1 RS-232 3-pin terminal block for programming 1 USB Power. Max 1.5A	
CONTROLS:	Front panel buttons, remote step-in switch, remote input selection switches, RS-232	
ANALOG AUDIO INPUT:	Maximum level—3Vpp	
REMOTE LED IMPEDANCE:	5V, 300Ω approx.	
STANDARDS:	HDMI with Deep Color, x.v.Color™ and 3D HDCP: Works with sources that support HDCP repeater mode	
POWER CONSUMPTION:	12V DC, 1.1A	
COMPLIANCE STANDARDS:	CE, UL	
OPERATING TEMPERATURE:	0° to +40°C (32° to 104°F)	
STORAGE TEMPERATURE:	-40° to +70°C (-40° to 158°F)	
HUMIDITY:	10% to 90%, RHL non-condensing	
COOLING:	Convection, vents	
ENCLOSURE TYPE:	Aluminium	
DIMENSIONS:	18.8cm x 11.3cm x 2.5cm (7.4" x 4.5" x 1") W, D, H	
WEIGHT:	0.48kg (1.1lbs) approx.	
INCLUDED ACCESSORIES:	Power adapter	
OPTIONS:	19" Rack adapter RK-T2B, RTBUS-12, SID-X3NBP Kit (substitute a black top plate for the SID-X3N to blend in with the color of the modular TBUS-10x)	
<p>Specifications are subject to change without notice For the most updated resolution list, go to our Web site at <a href="http://www.kramerav.com">www.kramerav.com</a></p>		

## 9.1 Supported Resolutions

### HDMI/DVI

Resolution	Refresh Rate
640 x 480p	85Hz; 75Hz; 72Hz; 60Hz; 59.95Hz
720 x 480i	30Hz
720 x 480p	60Hz
720 x 576p	50Hz
800 x 600p	85Hz; 75Hz; 72Hz; 60Hz
848 x 480p	60Hz
852 x 480p	60Hz
1024 x 768p	85Hz; 75Hz; 70Hz; 60Hz
1080 x 1920p	50Hz; 60Hz; 24Hz;
1080 x 1920i	50Hz; 60Hz;
1152 x 864p	75Hz
1280 x 768p	60Hz
1280 x 800p	60Hz
1280 x 960	60Hz
1280 x 1024p	75Hz; 60Hz
1360 x 768p	60Hz
1366 x 768	60Hz; 50Hz
1400 x 1050p	60Hz
1440 x 900p	60Hz
1600 x 900p	60Hz
1600 x 1200p	60Hz
1680 x 1050p	60Hz

### DisplayPort

Resolution	Refresh Rate
640 x 480p	85Hz; 75Hz; 72Hz; 60Hz
800 x 600p	85Hz; 75Hz; 72Hz; 60Hz
848 x 480p	60Hz
1024 x 768p	85Hz; 75Hz; 70Hz; 60Hz
1080 x 1920i	60Hz;
1152 x 864p	75Hz
1280 x 768p	60Hz
1280 x 800p	60Hz
1280 x 960	60Hz
1280 x 1024p	75Hz; 60Hz
1360 x 768p	60Hz
1366 x 768	60Hz;
1400 x 1050	60Hz
1440 x 900p	60Hz
1600 x 900p	60Hz
1600 x 1200p	60Hz
1680 x 1050p	60Hz

## VGA

Resolution	Refresh Rate
640 x 480p	60Hz
720 x 480p	60Hz
800 x 600p	60Hz
1024 x 768p	60Hz
1152 x 864	75Hz
1280 x 720p	60Hz; 50Hz
1280 x 960p	60Hz
1280 x 1024p	60Hz
1360 x 768	60Hz;
1366 x 768	60Hz; 50Hz
1400 x 1050	60Hz
1440 x 900	60Hz
1920 x 1080p	60Hz
1920 x 1200	60Hz; 50Hz



---

# 10 Default EDID

Each input on the **SID-X3N** is loaded with a factory default EDID.

**Note:** When the **SID-X3N** is connected to a DVI acceptor, audio block is added to the EDID.

## 10.1 HDMI, DisplayPort and DVI

### Monitor

Model name..... SID-X3N  
Manufacturer..... KMR  
Plug and Play ID..... KMR0672  
Serial number..... 505-709990100  
Manufacture date..... 2011, ISO week 255  
Filter driver..... None  
-----  
EDID revision..... 1.3  
Input signal type..... Digital  
Color bit depth..... Undefined  
Display type..... RGB color  
Screen size..... 520 x 320 mm (24.0 in)  
Power management..... Standby, Suspend, Active off/sleep  
Extension blocs..... 1 (CEA-EXT)  
-----  
DDC/CI..... n/a

### Color characteristics

Default color space..... Non-sRGB  
Display gamma..... 2.20  
Red chromaticity..... Rx 0.674 - Ry 0.319  
Green chromaticity..... Gx 0.188 - Gy 0.706  
Blue chromaticity..... Bx 0.148 - By 0.064  
White point (default).... Wx 0.313 - Wy 0.329  
Additional descriptors... None

### Timing characteristics

Horizontal scan range.... 30-83kHz  
Vertical scan range..... 56-76Hz  
Video bandwidth..... 170MHz  
CVT standard..... Not supported  
GTF standard..... Not supported  
Additional descriptors... None  
Preferred timing..... Yes  
Native/preferred timing.. 1280x720p at 60Hz (16:10)  
Modeline..... "1280x720" 74.250 1280 1390 1430 1650 720 725 730 750 +hsync +vsync

### Standard timings supported

720 x 400p at 70Hz - IBM VGA  
720 x 400p at 88Hz - IBM XGA2  
640 x 480p at 60Hz - IBM VGA  
640 x 480p at 67Hz - Apple Mac II  
640 x 480p at 72Hz - VESA  
640 x 480p at 75Hz - VESA  
800 x 600p at 56Hz - VESA  
800 x 600p at 60Hz - VESA  
800 x 600p at 72Hz - VESA  
800 x 600p at 75Hz - VESA  
832 x 624p at 75Hz - Apple Mac II  
1024 x 768i at 87Hz - IBM  
1024 x 768p at 60Hz - VESA  
1024 x 768p at 70Hz - VESA  
1024 x 768p at 75Hz - VESA  
1280 x 1024p at 75Hz - VESA

1152 x 870p at 75Hz - Apple Mac II  
1280 x 1024p at 75Hz - VESA STD  
1280 x 1024p at 85Hz - VESA STD  
1600 x 1200p at 60Hz - VESA STD  
1024 x 768p at 85Hz - VESA STD  
800 x 600p at 85Hz - VESA STD  
640 x 480p at 85Hz - VESA STD  
1152 x 864p at 70Hz - VESA STD  
1280 x 960p at 60Hz - VESA STD

#### EIA/CEA-861 Information

Revision number..... 3  
IT underscan..... Supported  
Basic audio..... Supported  
YCbCr 4:4:4..... Supported  
YCbCr 4:2:2..... Supported  
Native formats..... 1  
Detailed timing #1..... 1920x1080p at 60Hz (16:10)  
  Modeline..... "1920x1080" 148.500 1920 2008 2052 2200 1080 1084 1089 1125 +hsync +vsync  
Detailed timing #2..... 1920x1080i at 60Hz (16:10)  
  Modeline..... "1920x1080i" 74.250 1920 2008 2052 2200 1080 1084 1094 1124 interlace +hsync  
+vsync  
Detailed timing #3..... 1280x720p at 60Hz (16:10)  
  Modeline..... "1280x720" 74.250 1280 1390 1430 1650 720 725 730 750 +hsync +vsync  
Detailed timing #4..... 720x480p at 60Hz (16:10)  
  Modeline..... "720x480" 27.000 720 736 798 858 480 489 495 525 -hsync -vsync

#### CE video identifiers (VICs) - timing/formats supported

1920 x 1080p at 60Hz - HDTV (16:9, 1:1)  
1920 x 1080i at 60Hz - HDTV (16:9, 1:1)  
1280 x 720p at 60Hz - HDTV (16:9, 1:1) [Native]  
720 x 480p at 60Hz - EDTV (16:9, 32:27)  
720 x 480p at 60Hz - EDTV (4:3, 8:9)  
720 x 480i at 60Hz - Doublescan (16:9, 32:27)  
720 x 576i at 50Hz - Doublescan (16:9, 64:45)  
640 x 480p at 60Hz - Default (4:3, 1:1)  
NB: NTSC refresh rate = (Hz\*1000)/1001

#### CE audio data (formats supported)

LPCM 2-channel, 16/20/24 bit depths at 32/44/48 kHz

#### CE vendor specific data (VSDb)

IEEE registration number. 0x000C03  
CEC physical address..... 1.0.0.0  
Maximum TMDS clock..... 165MHz

#### CE speaker allocation data

Channel configuration.... 2.0  
Front left/right..... Yes  
Front LFE..... No  
Front center..... No  
Rear left/right..... No  
Rear center..... No  
Front left/right center.. No  
Rear left/right center... No  
Rear LFE..... No

#### Report information

Date generated..... 11/08/2014  
Software revision..... 2.60.0.972  
Data source..... File  
Operating system..... 6.1.7601.2.Service Pack 1



1600 x 1200p at 60Hz - VESA STD  
1024 x 768p at 85Hz - VESA STD  
800 x 600p at 85Hz - VESA STD  
640 x 480p at 85Hz - VESA STD  
1152 x 864p at 70Hz - VESA STD  
1280 x 960p at 60Hz - VESA STD

Report information

Date generated..... 11/08/2014  
Software revision..... 2.60.0.972  
Data source..... File  
Operating system..... 6.1.7601.2.Service Pack 1

Raw data

00,FF,FF,FF,FF,FF,FF,00,2D,B2,72,06,02,00,00,00,FF,15,01,03,6E,34,20,78,EE,B3,25,AC,51,30,B4,26,  
10,50,54,FF,FF,80,81,8F,81,99,A9,40,61,59,45,59,31,59,71,4A,81,40,01,1D,00,72,51,D0,1E,20,6E,28,  
55,00,07,44,21,00,00,1E,00,00,00,FF,00,35,30,35,2D,37,30,39,39,39,30,31,30,30,00,00,00,FC,00,53,  
49,44,2D,58,33,4E,00,00,00,00,00,00,00,00,00,FD,00,38,4C,1E,53,11,00,0A,20,20,20,20,20,00,3F,  
FF,  
FF,  
FF,  
FF,FF

# 11 Remote Commands

The **SID-X3N** can be operated using serial commands issued by a remote device over HDMI, using Kramer Protocol 3000 commands.

This section describes:

- Kramer Protocol 3000 syntax (see [Section 11.1](#))
- Kramer Protocol 3000 commands (see [Section 11.2](#))
- RS-232 hardware interface (see [Section 11.3](#))

## 11.1 Kramer Protocol 3000 Syntax

### 11.1.1 Host Message Format

Start	Address (optional)	Body	Delimiter
#	<i>Destination_id@</i>	<b>Message</b>	<b>CR</b>

#### 11.1.1.1 Simple Command

Command string with only one command without addressing:

Start	Body	Delimiter
#	<b>Command</b> <b>SP</b> <i>Parameter_1,Parameter_2,...</i>	<b>CR</b>

#### 11.1.1.2 Command String

Formal syntax with commands concatenation and addressing:

Start	Address	Body	Delimiter
#	<i>Destination_id@</i>	<b>Command_1</b> <i>Parameter1_1,Parameter1_2,...</i> <b>Command_2</b> <i>Parameter2_1,Parameter2_2,...</i> <b>Command_3</b> <i>Parameter3_1,Parameter3_2,...</i> ...	<b>CR</b>

### 11.1.2 Device Message Format

Start	Address (optional)	Body	delimiter
~	<i>Sender_id@</i>	<b>Message</b>	<b>CR</b> <b>LF</b>

### 11.1.2.1 Device Long Response

Echoing command:

Start	Address (optional)	Body	Delimiter
~	Sender_id@	Command <b>SP</b> [Param1 ,Param2 ...] <b>result</b>	<b>CR</b> <b>LF</b>

**CR** = Carriage return (ASCII 13 = 0x0D)

**LF** = Line feed (ASCII 10 = 0x0A)

**SP** = Space (ASCII 32 = 0x20)

### 11.1.3 Command Terms

#### Command

A sequence of ASCII letters ('A'-'Z', 'a'-'z' and '-').

Command and parameters must be separated by at least one space.

#### Parameters

A sequence of alphanumeric ASCII characters ('0'-'9','A'-'Z','a'-'z' and some special characters for specific commands). Parameters are separated by commas.

#### Message string

Every command entered as part of a message string begins with a **message starting character** and ends with a **message closing character**.

**Note:** A string can contain more than one command. Commands are separated by a pipe ( '|') character.

#### Message starting character

'#' – For host command/query

'~' – For device response

#### Device address (Optional, for K-NET)

K-NET Device ID followed by '@'

#### Query sign

'?' follows some commands to define a query request.

#### Message closing character

**CR** – For host messages; carriage return (ASCII 13)

**CRLF** – For device messages; carriage return (ASCII 13) + line-feed (ASCII 10)

### Command chain separator character

When a message string contains more than one command, a pipe ( '|' ) character separates each command.

Spaces between parameters or command terms are ignored.

#### 11.1.4 Entering Commands

You can directly enter all commands using a terminal with ASCII communications software, such as HyperTerminal, Hercules, etc. Connect the terminal to the serial or Ethernet port on the Kramer device. To enter **CR** press the Enter key. (**LF** is also sent but is ignored by command parser).

For commands sent from some non-Kramer controllers, (for example, Crestron) some characters require special coding (such as, /X##). Refer to the controller manual.

#### 11.1.5 Command Forms

Some commands have short name syntax in addition to long name syntax to allow faster typing. The response is always in long syntax.

#### 11.1.6 Chaining Commands

Multiple commands can be chained in the same string. Each command is delimited by a pipe character ("|"). When chaining commands, enter the **message starting character** and the **message closing character** only once, at the beginning of the string and at the end.

Commands in the string do not execute until the closing character is entered. A separate response is sent for every command in the chain.

#### 11.1.7 Maximum String Length

64 characters

## 11.2 Kramer Protocol 3000 Commands

The following table lists the Protocol 3000 commands that the **SID-X3N** supports. For a full description of the commands, see the *Kramer Protocol 3000* document available from [www.kramerav.com](http://www.kramerav.com).

**Note:** The **SID-X3N** can only receive commands from a device, (for example, a **VS-62H**) via an HDMI cable that supports HEC, HDMI Ethernet Channel, at 9600bps.

Command	Description
#	Protocol handshaking
MODEL?	Read device model
STEPIN-CP?	Get module Step-in capabilities
VID	Set video switch
VID?	Get video switch status

Command - <b>MODEL?</b>		Command Type - System-mandatory	
Command Name		Permission	Transparency
Set:	-	-	-
Get:	<b>MODEL?</b>	End User	Public
Description		Syntax	
Set:	-	-	
Get:	Get device model	# <b>MODEL?</b> <input type="checkbox"/> <small>CR</small>	
Response			
~ <input type="checkbox"/> nn@ <b>MODEL</b> <input type="checkbox"/> _spmodel_name <input type="checkbox"/> _cr_lf			
Parameters			
model_name - String of up to 19 printable ASCII chars			
Response Triggers			
Notes			



Command – <b>STEPIN-CP</b>		Command Type – (ROUTING)	
Command Name		Permission	Transparency
Set:	-		
Get:	<b>STEPIN-CP?</b>	End User	Public
Description		Syntax	
Set:	None		
Get:	Get module STEP-IN capabilities	# <b>STEPIN-CP?</b> <input type="checkbox"/> <input type="checkbox"/>	
Response			
~ <input type="checkbox"/> <input type="checkbox"/> @ <b>STEPIN-CP</b> <input type="checkbox"/> <input type="checkbox"/> capabilities, num_of_inputs, num_of_cntl_btn <input type="checkbox"/> <input type="checkbox"/>			
Parameters			
<i>capabilities</i> – 1- module support STEP-IN 0 – module doesn't support STEP-IN <i>num_of_inputs</i> – number of video inputs for remote switching <i>num_of_cntl_btn</i> – number of control buttons, to be programmed in Master device			
Response Triggers			
Notes			
If module doesn't support STEP-IN it might answer with error "command not supported"			

Command - VID		Command Type - Switch	
Command Name		Permission	Transparency
Set:	VID	End User	Public
Get:	VID?	End User	Public
Description		Syntax	
Set:	Set video switch state	#VID <sub>[SP]</sub> in>out, in>out,... <sub>[CR]</sub>	
Get:	Get video switch state	#VID? <sub>[SP]</sub> out <sub>[CR]</sub> #VID? <sub>[SP]</sub> * <sub>[CR]</sub>	
Response			
Set: ~ <sub>[nn]</sub> @VID <sub>[SP]</sub> in>out <sub>[CR LF]</sub> ~ <sub>[nn]</sub> @VID <sub>[SP]</sub> in>out <sub>[CR LF]</sub> ... Get: ~ <sub>[nn]</sub> @VID <sub>[SP]</sub> in>out <sub>[CR LF]</sub> ~ <sub>[nn]</sub> @VID <sub>[SP]</sub> in>1, in>2, ... <sub>[CR LF]</sub>			
Parameters			
in - input number or '0' to disconnect output > - connection character between in and out parameters out - output number or '*' for all outputs			
Response Triggers			
Notes			
When AFV switching mode is active, this command also switches audio and the unit replies with command ~AV.			
Examples			
When AFV switching mode is active, this command also switches audio and the unit replies with command ~AV.			
Switch video and audio input 3 to output 7	#AV 3>7 <sub>[CR]</sub>	~01@AV 3>7 <sub>[CRLF]</sub>	
Switch video input 2 to output 4	#V 2>4 <sub>[CR]</sub>	~01@VID 2>4 <sub>[CRLF]</sub>	
Switch video input 4 to output 2 in machine 6	#6@VID 4>2 <sub>[CR]</sub>	~06@VID 4>2 <sub>[CRLF]</sub>	
Disconnect video and audio output 4	#AV 0>4 <sub>[CR]</sub>	~01@AV 0>4 <sub>[CRLF]</sub>	
Switch video input 3 to all outputs	#V 3>* <sub>[CR]</sub>	~01@VID 3>* <sub>[CRLF]</sub>	
Chaining multiple commands	#AV 1>*   V 3>4, 2>2, 2>1, 0>2   V 3>9   A 0>1   V? * <sub>[CR]</sub> <ol style="list-style-type: none"> <li>1. Switch audio and video from input 1 to all outputs</li> <li>2. Switch video input 3 to output 4, video input 2 to output 2, video input 2 to output 1 and disconnect video output 2</li> <li>3. Switch video input 3 to output 9 (non-existent)</li> <li>4. Disconnect audio output 1</li> <li>5. Get status of all video links</li> </ol> Command processing begins after entering <sub>[CR]</sub> A response is sent for each command after processing		~AV 1>* <sub>[CRLF]</sub> ~VID 3>4 <sub>[CRLF]</sub> ~VID 2>2 <sub>[CRLF]</sub> ~VID 2>1 <sub>[CRLF]</sub> ~VID 0>2 <sub>[CRLF]</sub>  ~VID <u>ERR003</u> <sub>[CRLF]</sub> ~AUD 0>1 <sub>[CRLF]</sub> ~VID 2>1, 0>2, 1>3, 3>4 <sub>[CRLF]</sub>

## 11.3 RS-232 Hardware Interface

RS-232 connection between the machine and controller is used for firmware upgrade procedures and technical maintenance. The default data rate is 115200 baud, with no parity, 8 data bits and 1 stop bit.

**Note:** Using any additional, non-standard RS-232 commands developed for internal debugging purposes is not recommended. Such commands are only used internally for performing firmware upgrades over the RS-232 hardware interface.

## LIMITED WARRANTY

The warranty obligations of Kramer Electronics for this product are limited to the terms set forth below:

### What is Covered

This limited warranty covers defects in materials and workmanship in this product.

### What is Not Covered

This limited warranty does not cover any damage, deterioration or malfunction resulting from any alteration, modification, improper or unreasonable use or maintenance, misuse, abuse, accident, neglect, exposure to excess moisture, fire, improper packing and shipping (such claims must be presented to the carrier), lightning, power surges, or other acts of nature. This limited warranty does not cover any damage, deterioration or malfunction resulting from the installation or removal of this product from any installation, any unauthorized tampering with this product, any repairs attempted by anyone unauthorized by Kramer Electronics to make such repairs, or any other cause which does not relate directly to a defect in materials and/or workmanship of this product. This limited warranty does not cover cartons, equipment enclosures, cables or accessories used in conjunction with this product.

Without limiting any other exclusion herein, Kramer Electronics does not warrant that the product covered hereby, including, without limitation, the technology and/or integrated circuit(s) included in the product, will not become obsolete or that such items are or will remain compatible with any other product or technology with which the product may be used.

### How Long Does this Coverage Last

Seven years as of this printing; please check our Web site for the most current and accurate warranty information.

### Who is Covered

Only the original purchaser of this product is covered under this limited warranty. This limited warranty is not transferable to subsequent purchasers or owners of this product.

### What Kramer Electronics will do

Kramer Electronics will, at its sole option, provide one of the following three remedies to whatever extent it shall deem necessary to satisfy a proper claim under this limited warranty:

1. Elect to repair or facilitate the repair of any defective parts within a reasonable period of time, free of any charge for the necessary parts and labor to complete the repair and restore this product to its proper operating condition. Kramer Electronics will also pay the shipping costs necessary to return this product once the repair is complete.
2. Replace this product with a direct replacement or with a similar product deemed by Kramer Electronics to perform substantially the same function as the original product.
3. Issue a refund of the original purchase price less depreciation to be determined based on the age of the product at the time remedy is sought under this limited warranty.

### What Kramer Electronics will not do Under This Limited Warranty

If this product is returned to Kramer Electronics or the authorized dealer from which it was purchased or any other party authorized to repair Kramer Electronics products, this product must be insured during shipment, with the insurance and shipping charges prepaid by you. If this product is returned uninsured, you assume all risks of loss or damage during shipment. Kramer Electronics will not be responsible for any costs related to the removal or re-installation of this product from or into any installation. Kramer Electronics will not be responsible for any costs related to any setting up this product, any adjustment of user controls or any programming required for a specific installation of this product.

### How to Obtain a Remedy under this Limited Warranty

To obtain a remedy under this limited warranty, you must contact either the authorized Kramer Electronics reseller from whom you purchased this product or the Kramer Electronics office nearest you. For a list of authorized Kramer Electronics resellers and/or Kramer Electronics authorized service providers, please visit our web site at [www.kramerelectronics.com](http://www.kramerelectronics.com) or contact the Kramer Electronics office nearest you.

In order to pursue any remedy under this limited warranty, you must possess an original, dated receipt as proof of purchase from an authorized Kramer Electronics reseller. If this product is returned under this limited warranty, a return authorization number, obtained from Kramer Electronics, will be required. You may also be directed to an authorized reseller or a person authorized by Kramer Electronics to repair the product.

If it is decided that this product should be returned directly to Kramer Electronics, this product should be properly packed, preferably in the original carton, for shipping. Cartons not bearing a return authorization number will be refused.

### Limitation on Liability

THE MAXIMUM LIABILITY OF KRAMER ELECTRONICS UNDER THIS LIMITED WARRANTY SHALL NOT EXCEED THE ACTUAL PURCHASE PRICE PAID FOR THE PRODUCT. TO THE MAXIMUM EXTENT PERMITTED BY LAW, KRAMER ELECTRONICS IS NOT RESPONSIBLE FOR DIRECT, SPECIAL, INCIDENTAL OR CONSEQUENTIAL DAMAGES RESULTING FROM ANY BREACH OF WARRANTY OR CONDITION, OR UNDER ANY OTHER LEGAL THEORY. Some countries, districts or states do not allow the exclusion or limitation of relief, special, incidental, consequential or indirect damages, or the limitation of liability to specified amounts, so the above limitations or exclusions may not apply to you.

### Exclusive Remedy

TO THE MAXIMUM EXTENT PERMITTED BY LAW, THIS LIMITED WARRANTY AND THE REMEDIES SET FORTH ABOVE ARE EXCLUSIVE AND IN LIEU OF ALL OTHER WARRANTIES, REMEDIES AND CONDITIONS, WHETHER ORAL OR WRITTEN, EXPRESS OR IMPLIED. TO THE MAXIMUM EXTENT PERMITTED BY LAW, KRAMER ELECTRONICS SPECIFICALLY DISCLAIMS ANY AND ALL IMPLIED WARRANTIES, INCLUDING, WITHOUT LIMITATION, WARRANTIES OF MERCHANTABILITY AND FITNESS FOR A PARTICULAR PURPOSE. IF KRAMER ELECTRONICS CANNOT LAWFULLY DISCLAIM OR EXCLUDE IMPLIED WARRANTIES UNDER APPLICABLE LAW, THEN ALL IMPLIED WARRANTIES COVERING THIS PRODUCT, INCLUDING WARRANTIES OF MERCHANTABILITY AND FITNESS FOR A PARTICULAR PURPOSE, SHALL APPLY TO THIS PRODUCT AS PROVIDED UNDER APPLICABLE LAW.

IF ANY PRODUCT TO WHICH THIS LIMITED WARRANTY APPLIES IS A "CONSUMER PRODUCT" UNDER THE MAGNUSON-MOSS WARRANTY ACT (15 U.S.C.A. §2301, ET SEQ.) OR OTHER APPLICABLE LAW, THE FOREGOING DISCLAIMER OF IMPLIED WARRANTIES SHALL NOT APPLY TO YOU, AND ALL IMPLIED WARRANTIES ON THIS PRODUCT, INCLUDING WARRANTIES OF MERCHANTABILITY AND FITNESS FOR THE PARTICULAR PURPOSE, SHALL APPLY AS PROVIDED UNDER APPLICABLE LAW.

### Other Conditions

This limited warranty gives you specific legal rights, and you may have other rights which vary from country to country or state to state.

This limited warranty is void if (i) the label bearing the serial number of this product has been removed or defaced, (ii) the product is not distributed by Kramer Electronics or (iii) this product is not purchased from an authorized Kramer Electronics reseller. If you are unsure whether a reseller is an authorized Kramer Electronics reseller, please visit our Web site at [www.kramerelectronics.com](http://www.kramerelectronics.com) or contact a Kramer Electronics office from the list at the end of this document.

Your rights under this limited warranty are not diminished if you do not complete and return the product registration form or complete and submit the online product registration form. Kramer Electronics thanks you for purchasing a Kramer Electronics product. We hope it will give you years of satisfaction.



For the latest information on our products and a list of Kramer distributors, visit our Web site where updates to this user manual may be found.

**We welcome your questions, comments, and feedback.**

Web site: [www.kramerav.com](http://www.kramerav.com)

E-mail: [info@kramerel.com](mailto:info@kramerel.com)



### SAFETY WARNING

Disconnect the unit from the power supply before opening and servicing



P/N: 2900-300304



Rev: 5