

SP840



Display size
32"-55"



Max load
60lb (27kg)

SMARTMOUNT.

Pull-Out Pivot Wall Mount with Tilt

FOR 32" TO 55" DISPLAYS

The SP840 combines the best features of our FPS-1000 into one contemporary, lightweight design, making it essential for on-wall or recessed/in-furniture applications. With 30° of built in swivel, the SP840 ensures your guests will be able to find the perfect desired viewing angle. This mount is VESA® compliant and accommodates virtually any flat panel display up to 60lb. Equipped with functionality, maximum aesthetics, versatile installation and endless display compatibility options, the SP840 is the ideal solution for any commercial or residential application.

SP840's lightweight design and capability of centering the display, whether extended or retracted, makes integrating today's LEDs into any commercial or residential application a breeze.

Additional Features

- ✓ Can be dual mounted to 16" studs or single stud
- ✓ Built-in swivel up to $\pm 30^\circ$ provides adjustable viewing angles
- ✓ Supports VESA® patterns from 200 x 100 to 400 x 400mm
- ✓ The I-Shaped Adaptor plate's innovative design helps avoid blocking connections on back of display
- ✓ Security screws prevent tampering and theft
- ✓ Flush mountable for in-furniture applications when used in conjunction with in-furniture bracket accessory, ACC-HPF650
- ✓ InCreLok™ Tilt allows the display to be set at 0°, 3.3°, 6.6° or 10°
- ✓ Lock-out screw prevents unwanted extension
- ✓ Adjust the force required to pull the display from the closed position using the adjustable tensioned detent



Display can be extended, retracted, and tilted to find perfect viewing angle

Lock the displays tilted angle with the InCreLok™ tilt technology



SP840 SmartMount® Pull-out Pivot Wall Mount with Tilt for 32" to 55" Displays

Product Specifications

	DIMENSIONS (W x H x D)	PRODUCT WEIGHT	LOAD CAPACITY	FINISH	AVAILABLE COLORS
SP840	20.65" x 16.74" x 2.64"-11.55" (524 x 425 x 67-293mm)	13.40lb (6kg)	60lb (27kg)	Powder Coat	Black

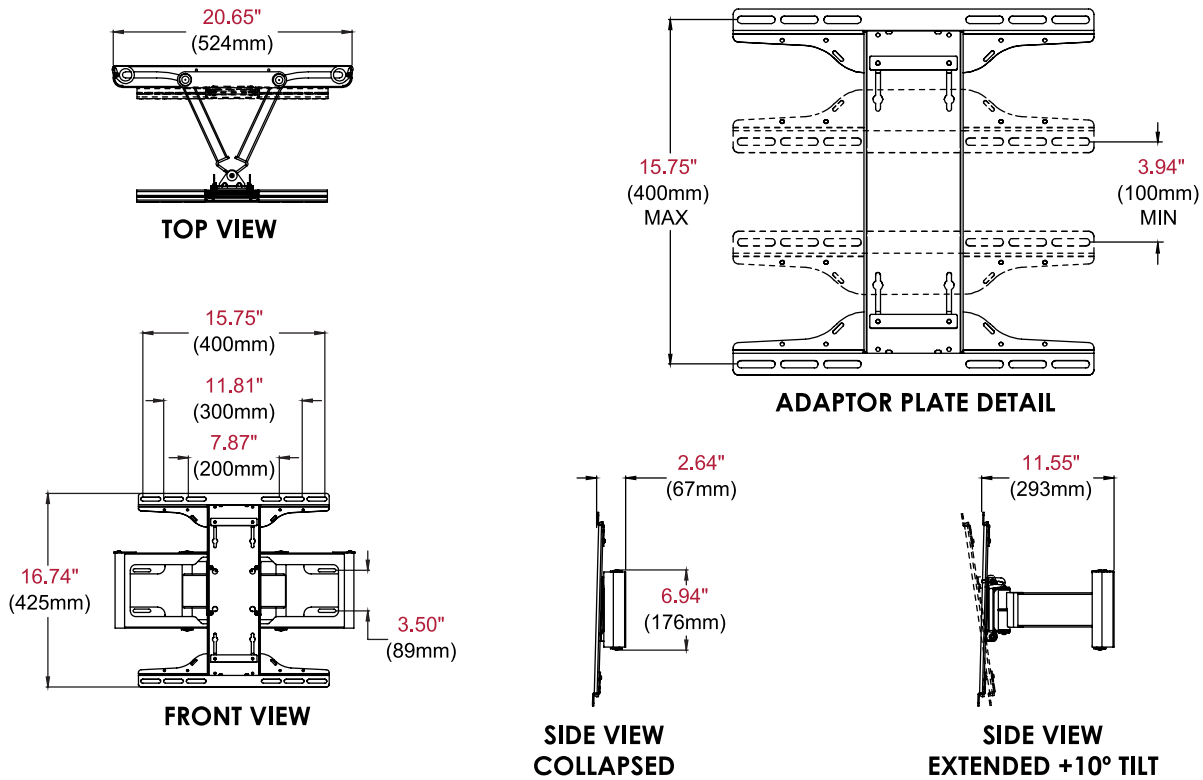
Package Specifications

	PACKAGE SIZE (W x H x D)	PACKAGE SHIP WEIGHT	PACKAGE UPC CODE	PACKAGE CONTENTS	UNITS IN PACKAGE
SP840	24.38" x 4.38" x 9.75" (619 x 111 x 248mm)	14.81lb (6.72kg)	735029308577	Wall Mount, Universal Adaptor, and Mounting Hardware	1

Accessories

- ACC-HPF650:** In-furniture Bracket
 - IBA3AC:** Recessed Cable Management and Power Storage Accessory Box*
- *Works with most displays 42" and larger without being visible from behind when used with the HPF650. Verify dimensions for confirmation of compatibility.*

All dimensions = inch (mm)



Architect Specifications

The Smartmount® Pull-out Pivot Wall Mount with Tilt shall be a Peerless-AV model SP840 and shall be located where indicated on the plans. Assembly and installation shall be done according to instructions provided by the manufacturer.

Visit peerless-av.com to see the complete line of AV solutions from Peerless-AV, including outdoor displays, wireless, kiosks, digital audio, display mounts, projector mounts, carts/stands, and a full assortment of accessories.

Peerless-AV
2300 White Oak Circle
Aurora, IL 60502 USA
(800) 865-2112
(630) 375-5100
Fax: (800) 359-6500

Peerless-AV Europe
Unit 3 Watford Interchange
Colonial Way, Watford
Herts, WD24 4WP
United Kingdom
+44 (0) 1923 200100
Fax: +44 (0) 1923 200101

Peerless-AV de México
Ave de las Industrias 413
Parque Industrial Escobedo
Escobedo, N.L.,
Mexico 66050
+52 (81) 8384-8300
Fax: +52 (81) 8384-8360

