

SR575K



Display size
32"-75"



Max load
150lb (68.2kg)
display
25lb (11.4kg)
media player

SMARTMOUNT

Universal Kiosk Cart

FOR 32" TO 75" DISPLAYS AND TOUCH PANELS

The SmartMount® Universal Kiosk Cart's stylish appearance, sturdy construction and 4" casters make it perfect for diverse applications where aesthetics, safety and mobility are key. When paired with flat panel displays between 32"-75" it becomes an integral multimedia platform perfect for virtually any public venue. Space is provided under the display mount to house a media player and surge protector while the internal cable management system organizes and conceals cables, delivering a complete solution ideal for any application.

The Peerless-AV kiosk cart accommodates your choice of display or touch panel and media device, with easy mobility, to create the perfect multimedia kiosk solution.



Additional Features

- ✓ Capable of +90° tilt for kiosk and interactive applications
- ✓ Secure media player storage below the display with simple access to the device without having to remove the display
- ✓ Cables can enter and exit on either side anywhere along the column and are held in place with a high tech polymer cover
- ✓ Pre-assembled base provides rigidity, stability and quick assembly
- ✓ Textured black powder coat finish helps hide finger prints and dust
- ✓ Universal display adaptor fits mounting patterns from 200 x 200mm to 600 x 400mm and allows mounting in landscape or portrait orientation

■ **UL/CUL CERTIFIED**

Provides the highest level of safety

■ **OPEN FRAME ADAPTOR**

Helps prevent display input interference

■ **MEDIA STORAGE**

Accommodates media players up to 3.42" x 12.00" x 11.31" (86 x 304 x 287mm)

■ **PERFECT VIEWING**

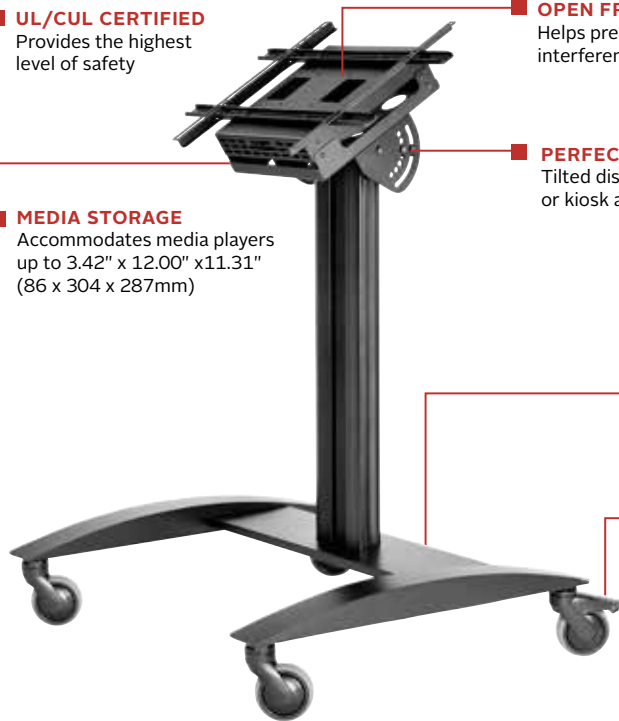
Tilted display for touch screen or kiosk applications

■ **WELDED BASE**

Provides rigidity, stability and quick assembly

■ **SAFE AND EASY MANEUVERABILITY**

4" (102mm) swivel casters meet UL/CUL requirements



SR575K SmartMount® Universal Kiosk Cart for 32" to 75" Displays and Touch Panels

Product Specifications

	DIMENSIONS (W X H X D)	PRODUCT WEIGHT	LOAD CAPACITY	FINISH	AVAILABLE COLORS
SR575K	35.00" x 46.12" x 29.00" (889 x 1172 x 737mm)	54.5lb (24.7kg)	150lb (68.2kg) display 25lb (11.4kg) media player	Textured Powder Coat	Black

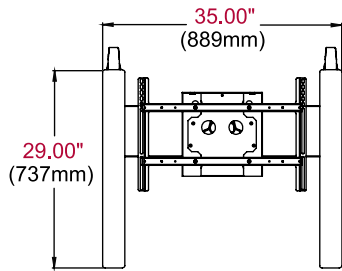
Package Specifications

	PACKAGE SIZE (W x H x D)	PACKAGE SHIP WEIGHT	PACKAGE UPC CODE	PACKAGE CONTENTS	UNITS IN PACKAGE
SR575K	47.50" x 38.50" x 7.25" (1207 x 978 x 184mm)	69.4lb (31.5kg)	735029305354	Assembled base, aluminum column, universal display adaptor, media player box, (2) swivel casters, (2) locking swivel casters, hardware & instructions	1

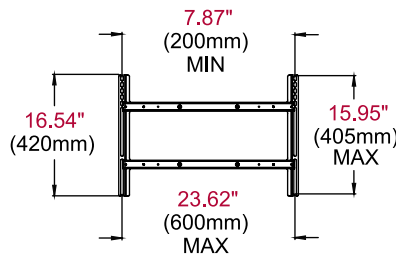
Accessories

- ACC310:** Feet Accessory
- ACC320:** Electrical Outlet Strip with Cord Wrap
- ACC-BPR:** Bumper Accessory for Legs

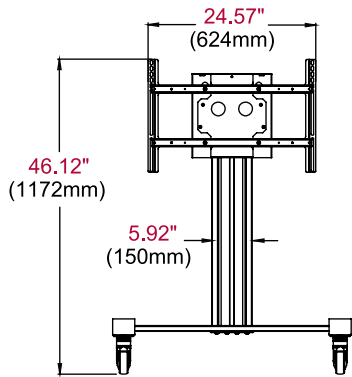
All dimensions = inch (mm)



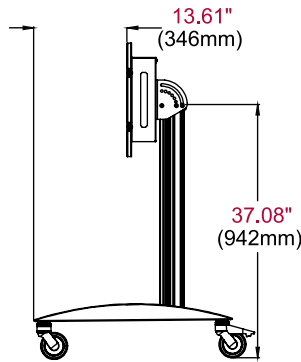
TOP VIEW



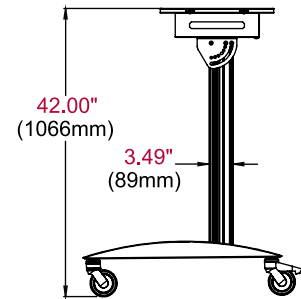
ADAPTOR PLATE



**FRONT VIEW
90° TILT**



**SIDE VIEW
90° TILT**



**SIDE VIEW
0° TILT**

Architect Specifications

The Smartmount® Universal Kiosk Cart shall be a Peerless-AV model SR575K and shall be located where indicated on the plans. Assembly and installation shall be done according to instructions provided by the manufacturer.

Visit peerless-av.com to see the complete line of AV solutions from Peerless-AV, including outdoor displays, wireless, kiosks, digital audio, display mounts, projector mounts, carts/stands, and a full assortment of accessories.

Peerless-AV
2300 White Oak Circle
Aurora, IL 60502 USA

(800) 865-2112
(630) 375-5100
Fax: (800) 359-6500

Peerless-AV Europe
Unit 3 Watford Interchange
Colonial Way, Watford
Herts, WD24 4WP
United Kingdom
+44 (0) 1923 200100
Fax: +44 (0) 1923 200101

Peerless-AV de México
Ave de las Industrias 413
Parque Industrial Escobedo
Escobedo, N.L.,
Mexico 66050
+52 (81) 8384-8300
Fax: +52 (81) 8384-8360

