

SR598



Display size  
**55"-98"**



Max load  
**225lb (102.3kg)**  
display

## SMARTMOUNT® Flat Panel Cart

FOR 55" TO 98" DISPLAYS

The SR598 SmartMount® Flat Panel Cart has been redesigned to include all of the features you may need, making it perfect for any application. Mobility, appealing design, display height adjustment, pre-assembled base and UL® certification ensure quick assembly while providing a ridged, but attractive, structure that fits into any décor. The 4" castors make it easy to move from room to room while the UL® certification ensures you that it can be done with safety in mind.

*Designed to meet UL certifications, the SR598 incorporates safety and security, ensuring you get the job done correctly.*



### Additional Features

- ✓ Display can be located anywhere along the column for perfect viewing height (up to 60" at center)
- ✓ Integrated cable management protects, contains and conceals cables for a clean, professional installation
- ✓ Maneuvers easily on 4" (102mm) swivel casters, two locking
- ✓ Pre-assembled base provides rigidity, stability and quick assembly
- ✓ Textured black powder coat finish helps hide finger prints and dust
- ✓ Open frame display adaptor helps prevent display input interference
- ✓ Optional ACC-MS component shelf can be positioned anywhere along either column by simply lifting and repositioning
- ✓ Universal mount fits displays with mounting patterns from 200 x 200mm up to 900 x 600mm

■ **PLUMB ADJUSTMENT**  
5 degrees of negative adjustment keeps even the heaviest of displays level

■ **UL/CUL CERTIFIED**  
Provides the highest level of safety

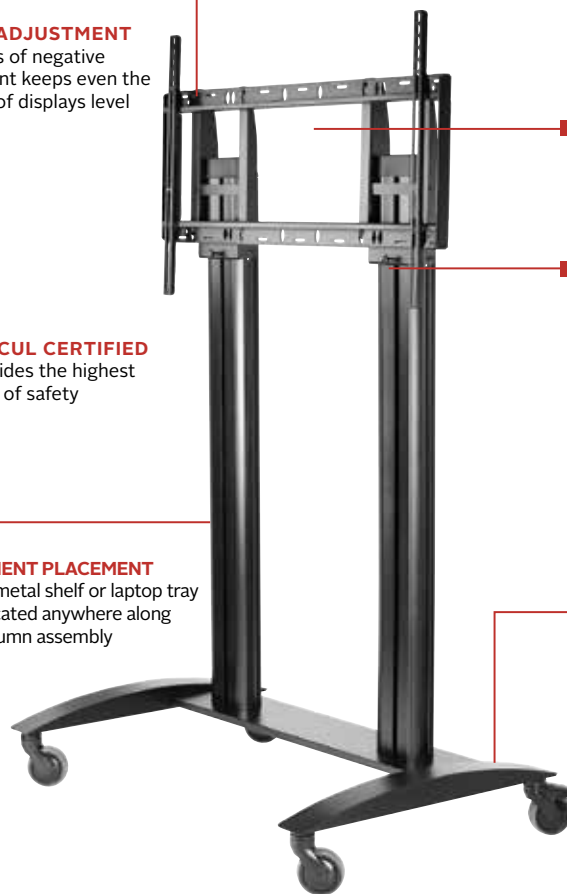
■ **COMPONENT PLACEMENT**  
Optional metal shelf or laptop tray can be located anywhere along either column assembly

■ **OPEN FRAME ADAPTOR**  
Helps prevent display input interference

■ **VERTICAL ADJUSTMENT**  
Display and optional component shelf can be located anywhere along the column (up to 60" at center)

■ **WELDED BASE**  
Provides rigidity, stability and quick assembly

■ **SAFE AND EASY MANEUVERABILITY**  
4" (102mm) swivel casters meet UL/CUL requirements



<b>SR598</b>	SmartMount® Flat Panel Cart for 55" to 98" Displays
--------------	---

**Product Specifications**

	DIMENSIONS (W X H X D)	PRODUCT WEIGHT	LOAD CAPACITY	FINISH	AVAILABLE COLORS
<b>SR598</b>	46.01" x 68.38" x 29.00" (1169 x 1736 x 737mm)	89lb (40.5kg)	225lb (102.3kg) display	Textured Powder Coat	Black

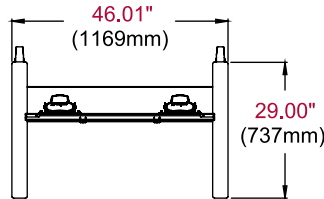
**Package Specifications**

	PACKAGE SIZE (W x H x D)	PACKAGE SHIP WEIGHT	PACKAGE UPC CODE	PACKAGE CONTENTS	UNITS IN PACKAGE
<b>SR598</b>	47.50" x 12.50" x 38.50" (1207 x 318 x 978mm)	109lb (49.5kg)	735029304975	Assembled base, (2) Aluminum columns, Universal display adaptor, (2) swivel casters, (2) locking swivel casters, hardware & instructions	1

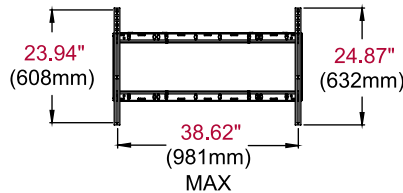
**Accessories**

- |   |   |
|---|---|
| <b>ACC310:</b> Feet Accessory                         | <b>ACC-GS1:</b> Tempered Glass Shelf            |
| <b>ACC316:</b> Safety Belt                            | <b>ACC-LA:</b> Laptop Arm                       |
| <b>ACC320:</b> Electrical Outlet Strip with Cord Wrap | <b>ACC-MS:</b> Metal Shelf                      |
| <b>ACC-BPR:</b> Bumper Accessory for legs             | <b>ACC-VCS:</b> Video Conferencing Camera Shelf |

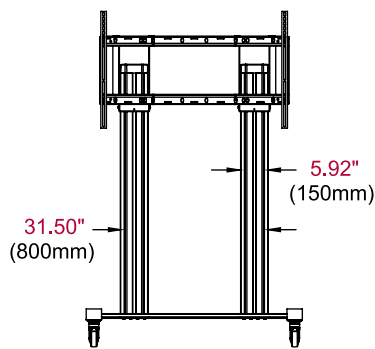
All dimensions = inch (mm)



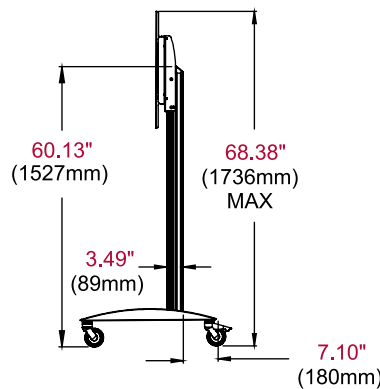
**TOP VIEW**



**ADAPTOR BRACKET**



**FRONT VIEW**



**SIDE VIEW**

**Architect Specifications**

The SmartMount® Flat Panel Cart shall be a Peerless-AV model SR598 and shall be located where indicated on the plans. Assembly and installation shall be done according to instructions provided by the manufacturer.

Visit [peerless-av.com](http://peerless-av.com) to see the complete line of AV solutions from Peerless-AV, including outdoor displays, wireless, kiosks, digital audio, display mounts, projector mounts, carts/stands, and a full assortment of accessories.

**Peerless-AV**  
2300 White Oak Circle  
Aurora, IL 60502 USA  
**(800) 865-2112**  
**(630) 375-5100**  
**Fax: (800) 359-6500**

**Peerless-AV Europe**  
Unit 3 Watford Interchange  
Colonial Way, Watford  
Herts, WD24 4WP  
United Kingdom  
**+44 (0) 1923 200100**  
**Fax: +44 (0) 1923 200101**

**Peerless-AV de México**  
Ave de las Industrias 413  
Parque Industrial Escobedo  
Escobedo, N.L.,  
Mexico 66050  
**+52 (81) 8384-8300**  
**Fax: +52 (81) 8384-8360**

