

SS560DPB  
SS560DPS

## Flat Panel Floor Stand for up to 65" Displays

The Peerless-AV SS560 Series Floor Stand is designed to provide the ideal display viewing position and match the décor of any environment whether its a boardroom, training room, lobby, classroom, auditorium, or exhibit hall. With either chrome or black posts and a line of accessories, each stand can be tailored to meet specific requirements.



Display size: up to 65"



Max load: 160lb (72.5kg)

### FEATURES

- VESA® 100, 200 and 300mm compliant
- Mount any style flat panel display up to 65" in either portrait or landscape
- Incremental tilt of -2°, 0° and +5° and locks in the ideal viewing angle
- Continuous vertical adjustment on 64" (1625mm) posts for perfect viewing height
- Sturdy base that can be bolted to the floor
- Includes theft resistant hardware for attaching display



Internal cable management



# Model Numbers

**WARRANTY:** Limited 5-year

<b>SS560DPB</b>	Flat Panel Floor Stand for up to 65" Displays
<b>SS560DPS</b>	Flat Panel Floor Stand for up to 65" Displays

## Product Specifications

	DIMENSIONS (W x H x D)	PRODUCT WEIGHT	LOAD CAPACITY	FINISH	AVAILABLE COLORS
<b>SS560DPB</b> <b>SS560DPS</b>	33.50" x 67.29" x 26.50" (851 x 1709 x 673mm)	106.8lb (48.4kg)	160.0lb (72.5kg)	Powder coat	SS560DPB: Black SS560DPS: Black/Chrome

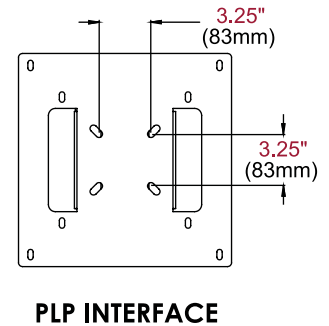
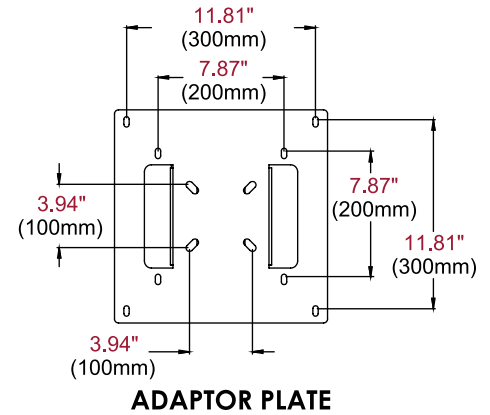
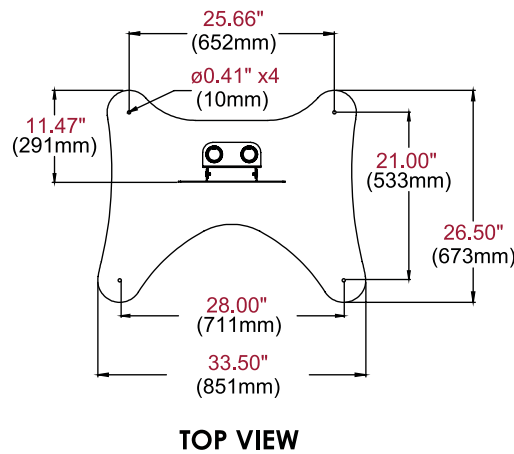
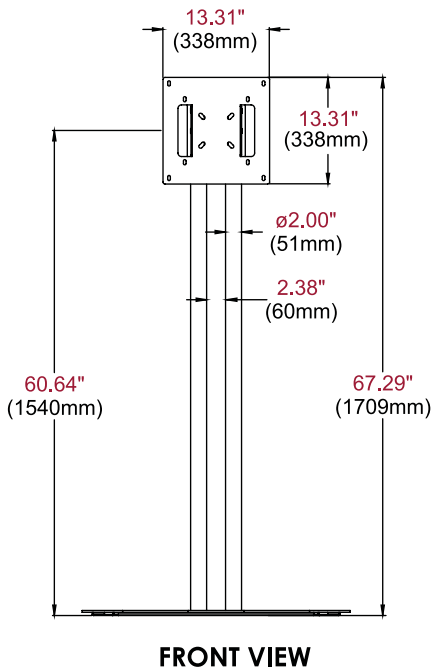
## Package Specifications

	PACKAGE SIZE (W x H x D)	PACKAGE SHIP WEIGHT	PACKAGE UPC CODE	PACKAGE CONTENTS	UNITS IN PACKAGE
<b>SS560DPB</b> <b>SS560DPS</b>	Box 1: 37.25" x 30.50" x 9.38" (946 x 774 x 238mm)  Boxes 2 and 3: 72.00" x 4.00" x 4.00" (1828 x 101 x 101mm)	113lb (51kg)	SS560DPB: 735029280729 SS560DPS: 735029281948	Base, two poles, mounting plate, assembly and mounting hardware	1

## Accessories

- ACC962:** Multi-Display Adaptor
- PLP-UNL:** Universal Adaptor Plate

All dimensions = inch (mm)



## ARCHITECTS SPECIFICATIONS

The Flat Panel Floor Stand shall be a Peerless-AV model SS560DPB/ SS560DPS and shall be installed where indicated on the plans. It shall be constructed of heavy gauge cold rolled steel. Assembly and installation shall be done according to instructions provided by the manufacturer.

Peerless Industries, Inc. ■ 2300 White Oak Circle ■ Aurora, IL 60502 ■ (800) 865-2112 ■ (630) 375-5100 ■ Fax: (800) 359-6500 ■ peerless-av.com

Visit [www.peerless-av.com](http://www.peerless-av.com) to see the complete line of AV solutions from Peerless-AV, including flat panel mounts, projector mounts, carts/stands, furniture, cables, screen cleaners and a full assortment of accessories.