

# SSAA5

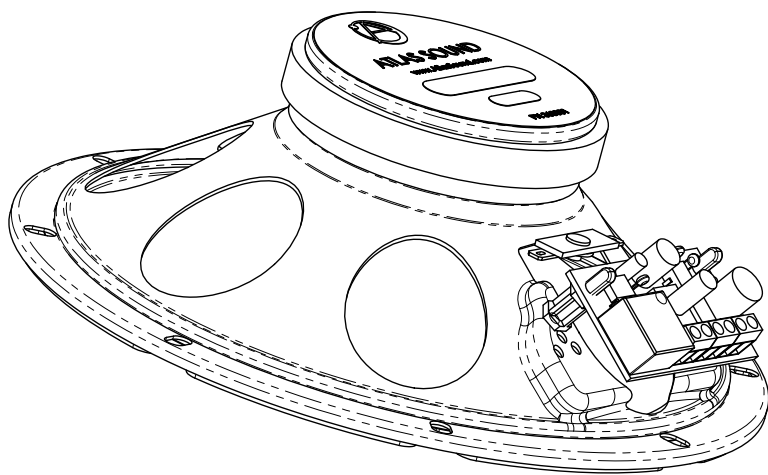
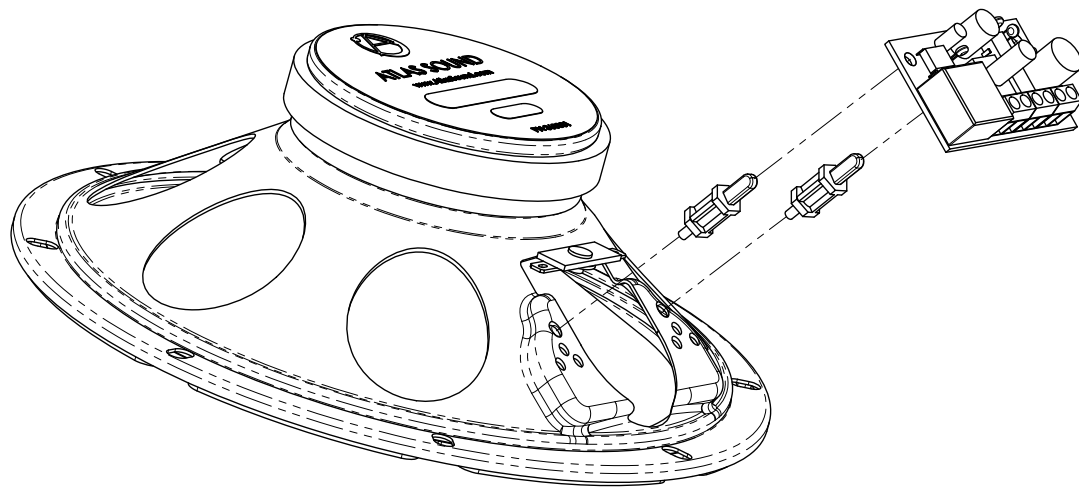
## Single Speaker 5 Watt Audio Amplifier

### General Description

The SSAA5 is a small analog audio amplifier capable of providing up to 5 watts of output power to a single 8 ohm speaker. This device is a perfect solution for small paging and background music systems where amplification is not available or is cost prohibitive. Its small form factor has been designed to use the existing transformer mounting holes that are provided on many Atlas 8" ceiling speakers. The SSAA5 utilizes an integrated level control, a single analog audio input, 24VDC input, and 8 ohm output.

### Installation

1. Attach the threaded side of the included nylon standoffs to the inner most mounting holes on the Atlas speaker basket. Use the included hex nuts to secure the standoffs to the speaker basket.
2. Connect power, input and output wires to the SSAA5 terminal block connectors. The connectors can hold up to 14 gauge wire.
3. Press the SSAA5 onto the standoffs. The standoffs will snap into the mounting holes on the SSAA5 providing a firm hold.



©2014 Atlas Sound L.P. All rights reserved. Atlas Sound is a trademark of Atlas Sound L.P. All other trademarks are the property of their respective owners. All specs are subject to change without notice. AT5004819 RevA 2/14