



KEY FEATURES

- Very High Output
- Compact size for a very good output-to-weight ratio
- Manifolded Band Pass configuration for a high output in a compact size
- High-strength, water repellent, glass fiber reinforced cones
- Tetracoil dual voice coil for extended linear response and increased power handling
- 96kHz / 40 bit floating point CORE processing with PRONET remote control
- Digitally controlled Class D amplifier module with SMPS

APPLICATIONS

The SW36XFA subwoofer is designed to deliver high quality low frequency reproduction where very high output is a key requirement, together with well defined deep bass response and fast transient response. Its compact size and light weight make it suitable for several different uses, ranging from touring applications to fixed installations and high-level dance clubs.

TECHNICAL SPECIFICATIONS

SYSTEM

System's Acoustic Principle	Manifolded Band Pass
Frequency Response ($\pm 3\text{dB}$)	36 Hz – 100 Hz (Processed)
Maximum Peak SPL @ 1m	143 dB

TRANSDUCERS

Type	Two 18" (460mm), 4" (100mm) VC
Cone	Water repellent cone and epoxy coated plates
Voice Coil Type	100mm (4in) Tetracoil® dual voice coil, equivalent to a single coil diameter larger than 152mm (>6in)
Suspension	Ultra linear suspension behavior

ELECTRICAL

Input Impedance	20 k Ω balanced, 10 k Ω unbalanced
Input Sensitivity	+4dBu / 1.25 V
Signal Processing	CORE processing, 96kHz / 40bit floating point SHARC DSP, 24 bit AD/DA converters
Direct access Controls	4 Presets (Standard/InfraSub/Cardioid/ User), Network Termination, GND Link
Remote Controls	PRONET control software
Network protocol	CANBUS
Amplifier Type	Class D with SMPS and PFC, Variable Switching Frequency
Output Power	2000+2000W
Mains Voltage Range (Vac)	90 - 260V 50/60Hz
IN / OUT Connectors	Neutrik XLR-M / XLR-F
IN / OUT Network Connectors	ETHERCON®(NE8FAV)
Mains Connector	PowerCon TRUE1 (NAC3PX In/Out)
Cooling	Variable speed DC fan

ENCLOSURE & CONSTRUCTION

Physical Dimensions	
W x H x D	746 mm (29.4") x 795 mm (31.3") x 710 mm (27.9")
Depth Including Wheels	838 mm (32.9")
Enclosure Material	15mm, reinforced phenolic birch
Paint	High resistance, water based paint
Wheels	4 heavy-load 100 mm \varnothing
Net Weight	91.2 Kg (201.1 lbs.) without wheels



DESCRIPTION

The SW36XFA is a very high quality powered subwoofer system featuring some of the most advanced technologies for low frequency reproduction. Its unique and innovative design is based on a configuration that can be defined as Manifolded Band Pass.

It uses manifolding of the front side of the cones to maximize the mutual coupling between the two drivers. This innovative configuration does not use any large resonant cavity to load the speaker, but very compact cavities in order to obtain advantages in terms of definition, both at the lowest end and the upper bass.

TRANSDUCERS

The SW36XFA subwoofer system is equipped with two high power 18" (460mm) transducers capable of very long excursion (up to 30mm peak-to-peak) and featuring a large displacement suspension system.

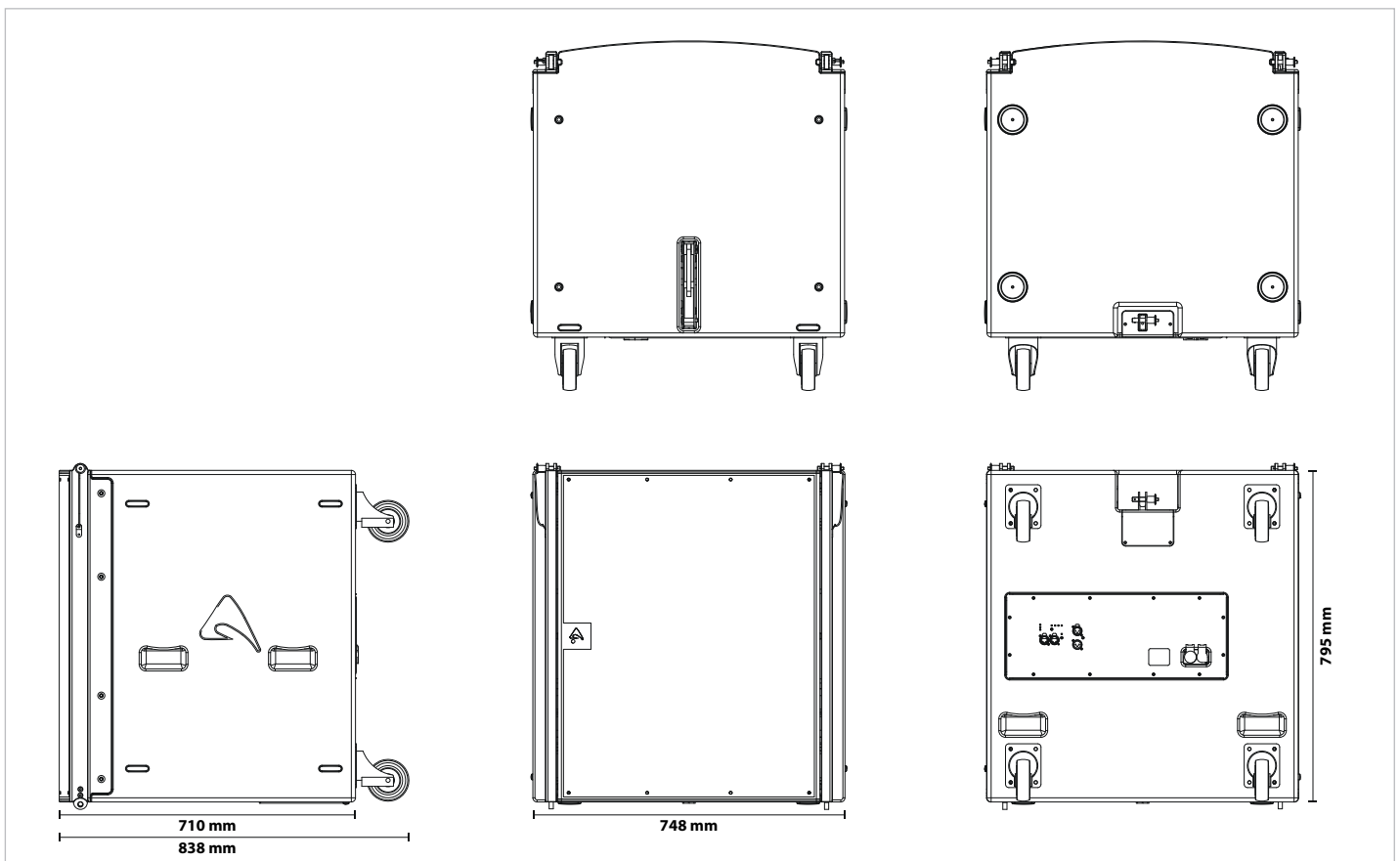
These transducers use Tetracoil technology, where two different, axially separated magnetic gaps and two inside-outside 100mm (4") diameter voice coils are wound on the same former and suspended evenly in the two magnetic gaps. This creates an equivalent voice coil diameter greater than 6", resulting in a larger heat dissipation area for and increased power handling. Additional key advantages of the Tetracoil technology are also minimized distortion and a very symmetric and flat inductance curve.

Cones are made of very high-stiffness fiberglass reinforced paper, featuring also invisible water repellent treatment.

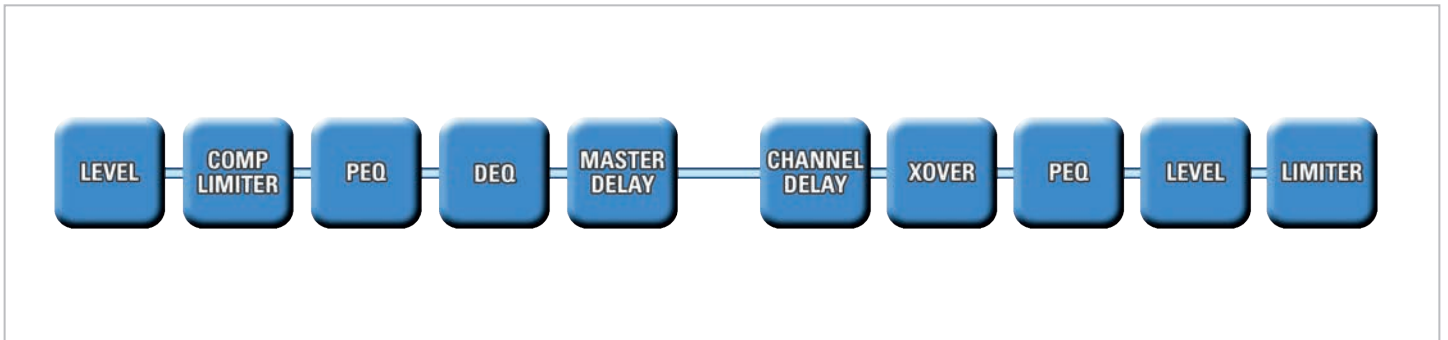
PERFORMANCES

The SW36XFA represents an innovative subwoofer design that features unprecedented performances in terms of low frequency definition and "punchy" feeling in the upper bass range.

The combination of accuracy in acoustic transient response together with the use of latest technology in transducers linearity, signal processing and power amplifiers allows the SW36XFA to deliver unprecedented low frequency reproduction quality with solid deep end, together with very fast and accurate bass response.



SIGNAL PROCESSING and POWER AMPLIFIERS



The system processing is based on the CORE DSP platform designed by the PROEL R&D Laboratories using one of the most advanced SHARC DSP for audio application. It features 40bit, 96kHz floating point resolution and top-quality 24bit AD/DA converters, for a perfect signal integrity, a dynamic range in excess of 110dB and a superior sonic performance. Thanks to its massive processing power, the CORE platform is capable of providing the most sophisticated algorithms for speaker processing, together with remote control and networking capability.



The PRONET control software, working on a solid and reliable CANBUS based network protocol, provides an intuitive interface for the remote control of the whole system, with the possibility of eqing, delaying, increasing the protections and monitoring the status of the amplifier.

The SW36XFA is powered by DA SERIES digital power modules, a new generation of CLASS D power amplifier with digitally-controlled SMPS. The innovative technology used for these amplifiers (including also the use of a variable switching frequency) offers performances at the top of the range, such as a superior sound definition at any audio frequency, very high dynamics also for low level signals and very low distortion even at the maximum power. The superior sound quality can be compared with top-of-the-range AB-class analog systems, while the DA modules feature a higher dynamics, very compact size and light weight and efficiency above 90%.



The DA module employed for powering the SW36XFA delivers in an ultra-compact package a maximum power of 4000W and features PFC (Power Factor Correction), a technology able to guarantee always the highest level of power regardless of any eventual fluctuations of the power supply.

