

8 7 6 5 4 3 2 1

D

C

B

A

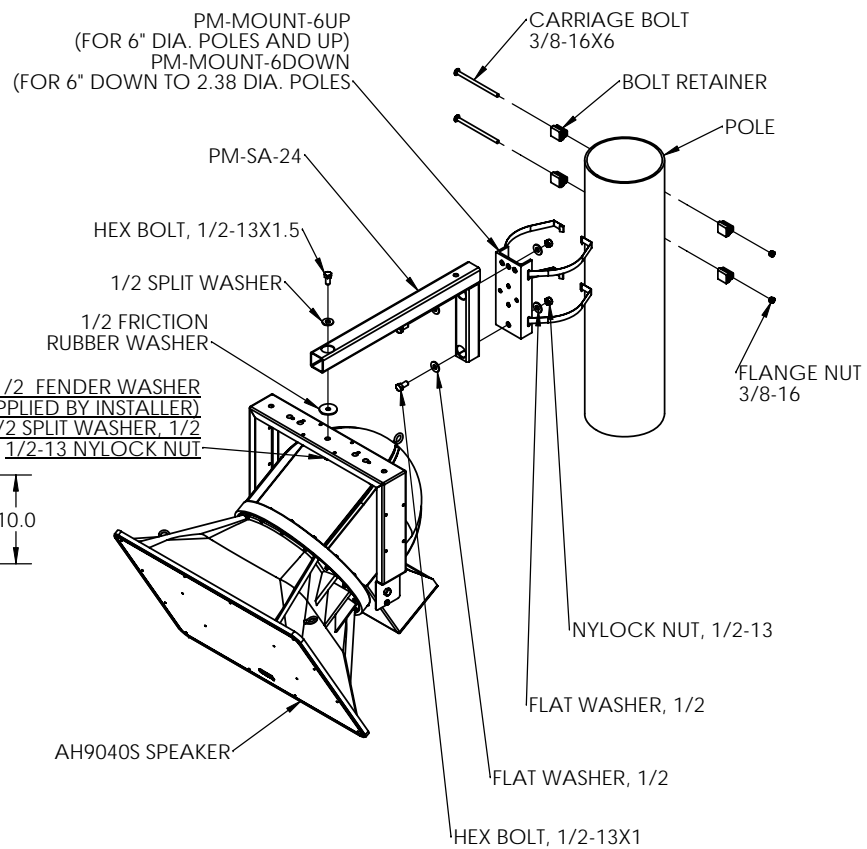
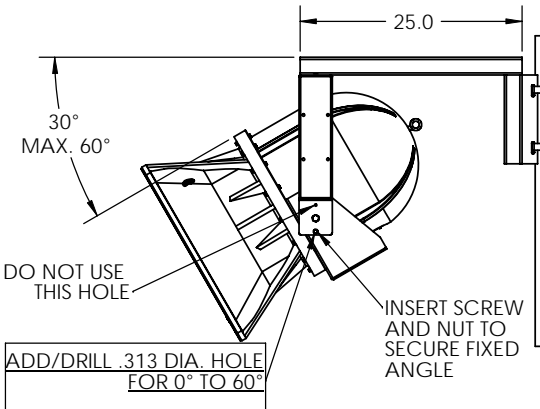
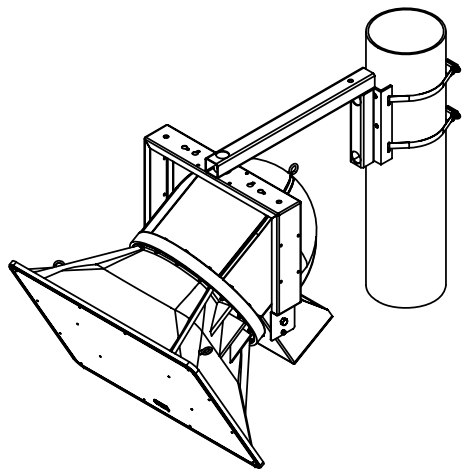
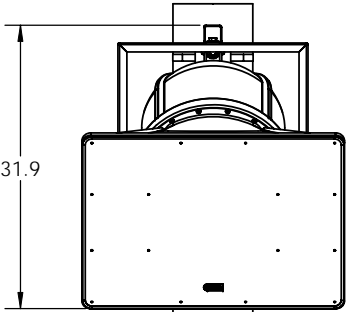
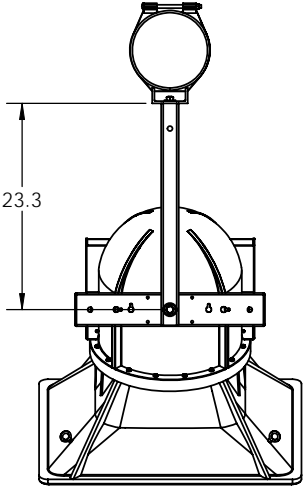
D

C

B

A

ATLAS AH 15" FLIPPED SPEAKER VIEW



EQUIPMENT					
ITEM #:	MODEL #:	DESCRIPTION	QTY	WEIGHT (LBS)	ACCUMULATED WEIGHT
1	AH9040S	15" MODEL SPEAKER	1	100 LBS	100 LBS
2	PM-SA-24	24" SUPPORT ARM	1	8.5 LBS	8.5 LBS
3	PM-MOUNT-6UP	POLE MOUNT FOR 6" AND LARGER DIAMETER POLES	1	5.0 LBS	5.0 LBS
4	PM-BAND-30	BANDING KIT FOR 9" DIA. DOWN TO 4" POLES	1	2.0 LBS	2.0 LBS
TOTAL WEIGHT					115.5 LBS

NOTES: MUST INSTALL WITH SAFETY CABLE
 APPLICATION DRAWING FEATURES THE AH9040S. MODELS AH5040S AND AH6565S ALSO APPLY TO DESIGN

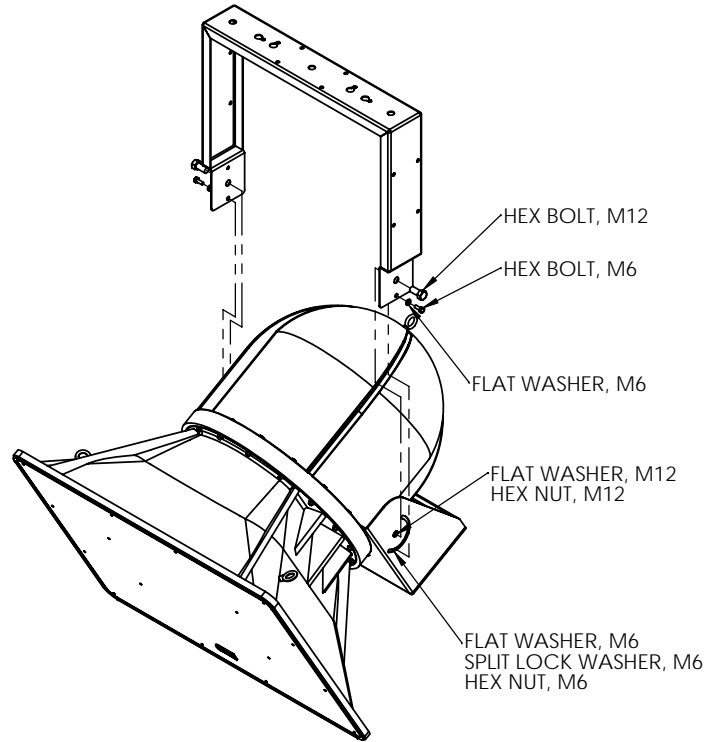
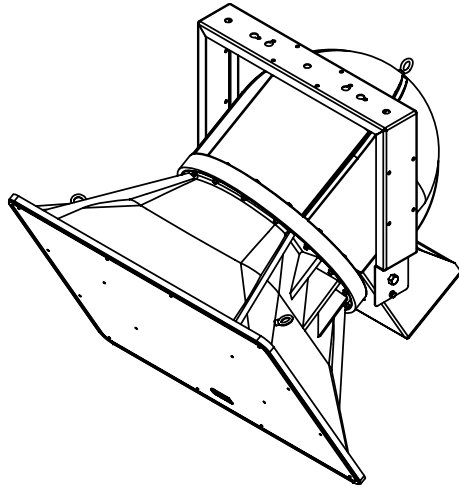
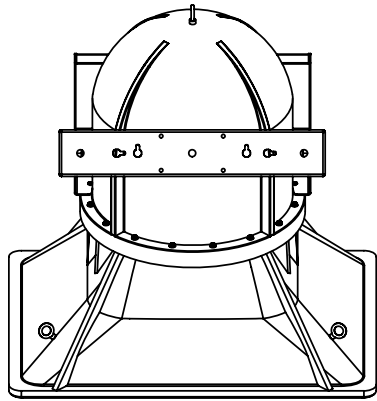
PROPRIETARY AND CONFIDENTIAL THIS DRAWING IS THE PROPERTY OF ALLEN PRODUCTS CO. AND EMBODIES A PROPRIETARY DESIGN ORIGINATED BY ALLEN PRODUCTS CO. ALL DESIGN, MANUFACTURE, REPRODUCTION, USE AND SALE RIGHTS REGARDING THE SAME ARE EXPRESSLY RESERVED. THIS DRAWING MAY NOT BE REPRODUCED OR INFORMATION HEREIN TRANSMITTED IN ANY WAY WITHOUT WRITTEN CONSENT FROM ALLEN PRODUCTS CO. ALL PATENT RIGHTS HERETO ARE EXPRESSLY RESERVED BY ALLEN PRODUCTS CO. SIGNAL HILL, CALIFORNIA	UNLESS OTHERWISE SPECIFIED:	NAME	DATE	Allen Products Company Inc. 1635 E. Burnett Street Signal Hill, CA 90755 Tel: 562-424-1100 Fax: 562-424-3520
	DIMENSIONS ARE IN INCHES	TL	102706	
	TOLERANCES: FRACTIONAL ± 1/64 ANGULAR: MACH ± .5° TWO PLACE DECIMAL ± .03 THREE PLACE DECIMAL ± .01	CHECKED		
	INTERPRET GEOMETRIC TOLERANCING PER:	ENG APPR.		
MATERIAL	MFG APPR.			TITLE: FLIPPED SINGLE MODEL POLESTAR AH15 SINGLE APP
FINISH	Q.A.			NEXT ASSY:
DO NOT SCALE DRAWING	COMMENTS:			USED ON:
				SIZE B DWG. NO. AH9040S SINGLE MODEL REV 01
				SCALE: 1:14 WEIGHT: SHEET 1 OF 2

8 7 6 5 4 3 2 1

8 7 6 5 4 3 2 1

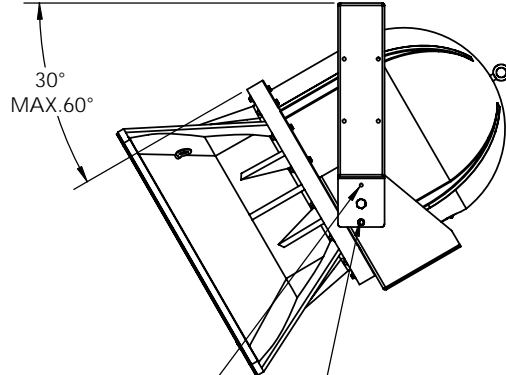
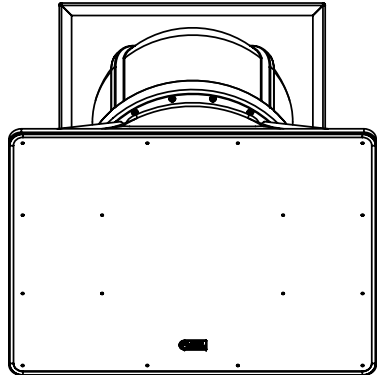
D

D



C

C



DO NOT USE THIS HOLE

ADD/DRILL .313 DIA. HOLE FOR 0° TO 60°


B

B

A

A

NOTE:
U-BRACKET LEGS ARE 6" LONGER THAN STANDARD U-BRACKET

<p>PROPRIETARY AND CONFIDENTIAL</p> <p>THIS DRAWING IS THE PROPERTY OF ALLEN PRODUCTS CO. AND EMBODIES A PROPRIETY DESIGN ORIGINATED BY ALLEN PRODUCTS CO. ALL DESIGN, MANUFACTURE, REPRODUCTION, USE AND SALE RIGHTS REGARDING THE SAME ARE EXPRESSLY RESERVED. THIS DRAWING MAY NOT BE REPRODUCED OR INFORMATION HEREIN TRANSMITTED IN ANY WAY WITHOUT WRITTEN CONSENT FROM ALLEN PRODUCTS CO. ALL PATENT RIGHTS HERETO ARE EXPRESSLY RESERVED BY ALLEN PRODUCTS CO. SIGNAL HILL, CALIFORNIA</p>	UNLESS OTHERWISE SPECIFIED:	NAME	DATE	 <p>Allen Products Company Inc. 1635 E. Burnett Street Signal Hill, CA 90755 Tel: 562-424-1100 Fax: 562-424-3520</p>	
	DIMENSIONS ARE IN INCHES	DRAWN	TBA		101207
	TOLERANCES:	CHECKED			
	FRACTIONAL: $\pm 1/64$	ENG APPR.			
	ANGULAR: MACH $\pm .5^\circ$	MFG APPR.			TITLE: FLIPPED SINGLE MODEL POLESTAR AH15 SINGLE APP
	TWO PLACE DECIMAL: $\pm .03$	Q.A.			NEXT ASSY:
	THREE PLACE DECIMAL: $\pm .01$	COMMENTS:			USED ON:
	INTERPRET GEOMETRIC TOLERANCING PER:				SIZE: B
	MATERIAL:				DWG. NO. AH9040S SINGLE MODEL
	FINISH:				REV 00
DO NOT SCALE DRAWING				SCALE: 1:10	
				WEIGHT:	
				SHEET 2 OF 2	

8 7 6 5 4 3 2 1