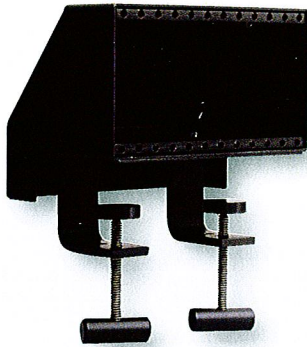


# TBL100

## Table Buddy™ - Tabletop Interconnect Box

Order No. TBL100



- High density connectivity
- Gas-spring technology provides smooth open and close
- Craftsman-milled edges create ultra-flat surface when closed
- Ships with 6ft pre-terminated cables for quick installations
- Customizable connectors and finish

### SPECIFICATIONS

#### General

Accessories Included: Miscellaneous Mounting hardware

#### Electrical

Factory configured to customer specifications. Order TBL100, plates, and connectors separately.

Interconnect box is delivered assembled and pre-terminated.

Power Rating (pass-through power): 110 VAC, 5 A max. Varies with configuration.

#### Warranty

3 year warranty

### PRODUCT OPTIONS

#### Section No. 2 (Empty Plates)

Model No.	Description	Slots
SP3408CR	1ea empty slot for Crestron 10-PIN connector	1
SP3402AD	1ea empty slot for XLR connector	2
SP3403AD	2ea empty slot for XLR connectors	2
SP3102EP	For Keystone snap-in port	1
SP3103EP	For Ortronics® snap-in port	1
SP3104EP	For 1 Keystone + 1 UK telephone snap-in port	1
SP3211NT	For 1 Keystone + 1 Systimax® snap-in port	1

#### Section No. 3 (Blank Plates)

Model No.	Description	Slots
SP1001BL	1 slot wide	1
SP1002BL	2 slots wide	2
SP1003BL	3 slots wide	3
SP1004BL	4 slots wide	4
SP1005BL	5 slots wide	5
SP1006BL	6 slots wide	6

#### Section No. 4 (Section Plates)

Model No.	Slots	Computer		Video		Audio	Data		
		VGA	DVI	Video	S-Video	Stereo	USB	RS-232	Switch/LED
SP1500SC	1						USB-A		
SP3201AV	1	HD-15				3.5mm			
SP3202AV	1	HD-15①				3.5mm②			
SP3203AV	1			RCA		2 RCA			
SP3204AV	1			RCA	Mini-Din	3.5mm			
SP3205AV	1		DVI-D						
SP3206AV	1							DB-9	
SP3207AV	1					3.5mm		DB-9	
SP3208AV	1							DB-9	Momentary③
SP3209AV	1							DB-9	Latch③

①: F-F gender changer

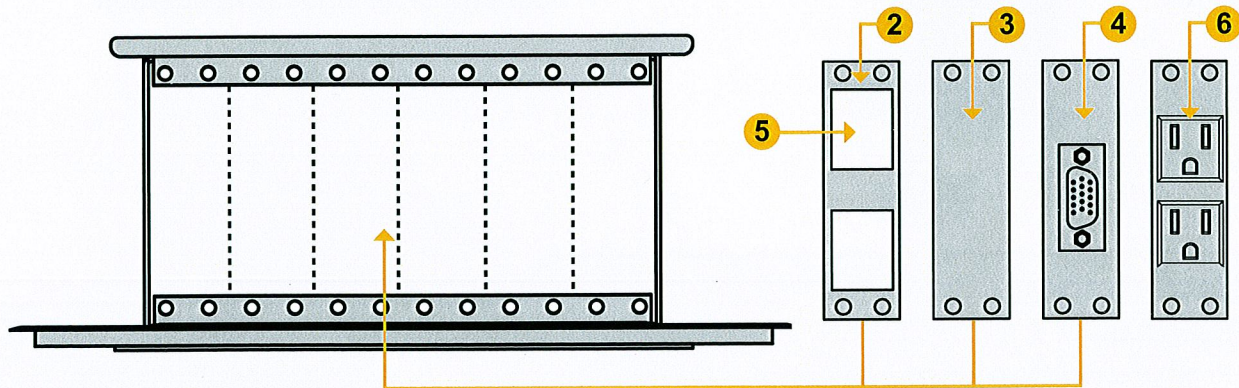
②: Uses captive-screw terminal block

③: Non-terminated cable



## OPTIONS FOR TBL100

Order No. TBL100



### Section No. 5 (Connectors)

Model No.	Description
CM11308	4-PIN Mini-DIN, F-F
CM11309	6-PIN Mini-DIN, F-F
CM11310	8-PIN Mini-DIN, F-F
CM11315	Black Shielded 10-PIN RJ45
CM11302	Black RCA, F-F
CM11303	Red RCA, F-F
CM11304	Yellow RCA, F-F
CM11365	H-Position Control and Signal Present LED
CM11311	BNC (Composite Video), F-F
CM11312	Momentary Contact Closure to bare leads
CM11313	Latching Contact Closure to bare leads
CM11314	Green LED Indicator to bare leads
CM11316	3.5 mm Stereo Audio, F-M
CM11341	HDMI F-M
CM11306	Grey RJ-11, F-M
CM11318	White RJ-11 6-PIN, F-M
CM11319	Black RJ-11 6-PIN, F-M
CM11351	Red CAT-6, RJ45, F-M
CM11352	Black CAT-6, RJ45, F-M
CM11353	Yellow CAT-6, RJ45, F-M
CM11358	White CAT-6, RJ45, F-M
CM11359	Orange CAT-6, RJ45, F-M
CM11354	Green CAT-6, RJ45, F-M
CM11355	Blue CAT-6, RJ45, F-M
CM11364	Black 3-PIN Mini XLR M-F
CM11408	White 4-PIN Mini XLR M-F
CM11366	USB-B F-USB-A M
CM11369	USB A F-M
CM11301	Blank Connector

### Section No. 6 (Power Plugs)

Model No.	Description	Slots
SP2102US	8ft (2.44m) cable	2
SP2107US	12ft (3.7m) flexible metal conduit, bare cable end	2
SP2201UK	1ea UK receptacle 220~240V/5A, 8ft (2.44m)	3
SP2301CE	1ea German receptacle 220~240V/5A, 8ft (2.44 m)	3
SP2401AU	1ea Australian receptacle 220~240V/5A, 8ft (2.44 m)	3
SP2501SA	1ea South African receptacle 220~240V/5A, 8ft (2.44 m)	3
DS901-141	1ea Belgium/France receptacle 220~240V/5A, 8ft (2.44 m)	3

Picture Above Show TBL100