

Welcome!

We greatly appreciate your purchase of the TBL100 Series Table Buddy[®]. We are sure you will find it reliable and simple to use. Superior performance for the right price, backed by solid technical and customer support is what ALTINEX has to offer.

We are committed to providing our customers with Signal Management Solutions[®] to the most demanding audiovisual installations at very competitive pricing and we welcome you to join the ranks of our many satisfied customers throughout the world.

1. Precautions and Safety Warnings

Please read this manual carefully before using your Table Buddy[®]. Keep this manual handy for future reference. These safety instructions are to ensure the long life of your Table Buddy[®] and to prevent fire and shock hazards. Please read them carefully and heed all warnings.

1.1 General

- Qualified ALTINEX service personnel or their authorized representatives must perform all service.

1.2 Installation Precautions

- To prevent fire or shock, do not expose this unit to water or moisture. Do not place the Table Buddy[®] in direct sunlight, near heaters or heat-radiating appliances, or near any liquid. Exposure to direct sunlight, smoke, or steam can harm internal components.
- Handle the Table Buddy[®] carefully. Dropping or jarring can damage the unit.
- Do not pull any cables that are attached to the Table Buddy[®].

2. Installation Procedures

- Step 1. Loosen the custom knobs to just larger than the thickness of the table. The table can be up to 1.5 in (38 mm) thick.
 - Step 2. Slide the TBL100 /TBL108 onto the table's edge.
 - Step 3. Secure the unit to the table using the mounting brackets and custom knobs attached to the unit. Tighten the custom knobs until the unit is firmly fastened to the edge of the table.
 - Step 4. Section plates are installed from the front of the TBL100 and held in place using plastic rivets provided with the plates. Use the rivet tool supplied with the TBL100 to press the rivets all the way in without damaging the unit. TBL108 already has standard configuraion plate installed.
- Note: In order to make cable installation easier, the back cover can be removed. Simply remove the 8 screws holding the cover to the back of the enclosure and remove the panel. Insert the section plates and cables from the front and then feed the cables down by the side of the table.
- Step 5. Make necessary connections to the optional snap-in connector plates.

3. Limited Warranty/Return policies

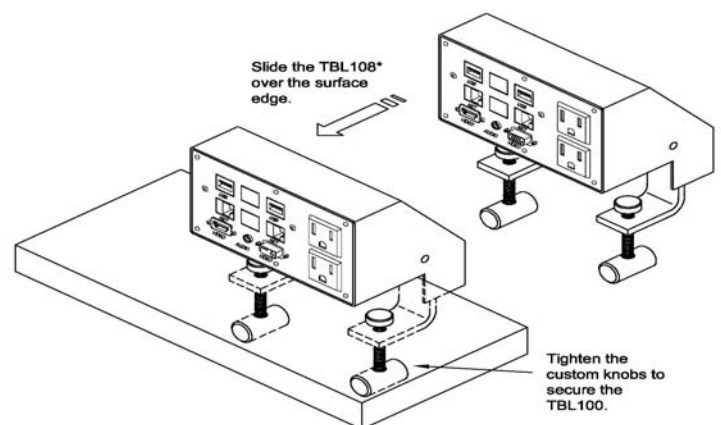
Please see the ALTINEX website at www.altinex.com for details on warranty and return policies.

1.3 Cleaning

- Clean only the connector area with a dry cloth. Never use strong detergents or solvents such as alcohol or thinner. Do not use a wet cloth or water to clean the card. Do not clean or touch any component or PCB.

1.4 FCC Notice

- This device complies with Part 15 of the FCC Rules. Operation is subject to the following two conditions: (1) This device may not cause harmful interference, and (2) this device must accept any interference received, including interference that may cause undesired operation.
- This equipment has been tested and found to comply with the limits for a Class A digital device, pursuant to Part 15 of the FCC Rules. These limits are designed to provide reasonable protection against harmful interference when the equipment is operated in a commercial environment. This equipment generates, uses, and can radiate radio frequency energy and, if not installed and used in accordance with the instructions found herein, may cause harmful interference to radio communications. Operation of this equipment in a residential area is likely to cause harmful interference in which case the user will be required to correct the interference at his own expense.
- Any changes or modifications to the unit not expressly approved by ALTINEX, Inc. could void the user's authority to operate the equipment.



* The TBL108 (TBL100 with installed SP3502SC- standard configuration plate) is shown here .

4. Technical Specifications

Specifications are subject to change. See www.altinex.com for up-to-date information.

Features/Description	TBL
TBL100*	
Pass-Through	
Sectional Plate Slots	6 (12 hole pairs)
Compatibility*	
AC Power (United States)	SP2102US, SP2107US
AC Power (International)	SP2201UK, SP2401AU, SP2301CE, and SP2501SA
Audio, Video, and Control	SP3201AV, SP3204AV, SP3206AV, SP3207AV, SP3208AV, SP3209AV, and SP3210AV
Blank Slot Covers	SP1001BL, and SP1002BL
Customizable	SP3212AV, SP3102EP, SP3103EP, SP3104EP, SP3211NT, and SP3408CR,
TBL108*	
Audio, Video, Communication	6 ft (2 m)
Computer Video	15-pin HD F-M
Computer Audio	3.5mm F-M
HDMI	HDMI F-M
Network	CAT-6 (RJ-45) F-M (2)
USB	Type A F-M (2)
Pass-Through AC Power	9-10 ft (2.7-3.0 m)
110 VAC, 60 Hz, 5 A	NEMA F-M
Accessories Included (TBL100/108 Models*)	
Miscellaneous Hardware	Tie Wraps (4) Rivet Tool (1)

Table 1. TBL100/TBL108 General

Mechanical	
TBL100	
Hole Pairs	12 (or 6 slots)
TBL100/TBL108	
Max Table Thickness	1.5 in (38 mm)
Width	5.3 in (135 mm)
Depth	3.5 in (89 mm)
Height Above Table	3.0 in (77 mm)
Overall Height	7.6 in (193 mm)
Weight (approx) TBL100	0.6 lb (0.3 kg)
TBL108	3.2 lb (1.5kg)
Shipping Weight (approx.) TBL100	1.4 lb (0.6 kg)
TBL108	4.6 lb (2.1kg)
Connector Panel	Black Anodized
T° Operating	10°C-50°C
T° Maximum	75°C
Humidity	90% non-condensing
MTBF (calc.)	38,000 hrs

Table 2. TBL100/TBL108 Mechanical

Electrical (Single outlet panel)	TBL100
Pass-Through Signals	All standard audio, video, network, and modem signals are acceptable.
Power Rating (pass-through AC power)	600W maximum

Table 3. TBL100/TBL108 Electrical

* Models ending with C are customizable.

5. About Your TBL100/TBL108

Designed for either temporary or permanent attachment to a table in a presentation system, the TBL100/TBL108 Table Buddy Interconnect Box provides a convenient way for a user to access multi-media input connections. It also allows for orderly cable management, passing signals from the back of the input plate around the edge of a table and down underneath it. The Table Buddy is completely configurable, with a variety of available connection plates to populate the front face of the unit.

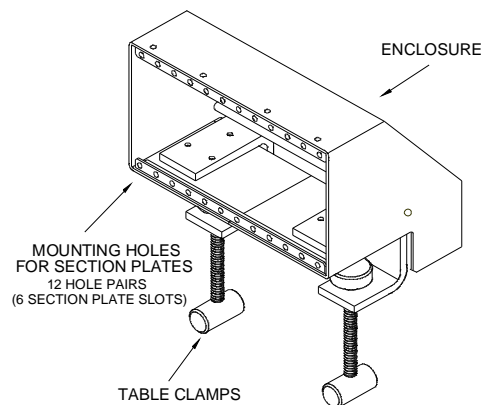
When used with its integrated hand-tightened clamps, the TBL100/TBL108 Table Buddy attaches quickly and non-destructively to the edge of a presentation table or desk up to 1.5 in (38 mm) thick, providing a convenient and functional table top input plate for practically any connection need. For permanent installation, the clamp can be removed and the Table Buddy can be permanently attached to the tabletop using wood screws.

The connector side of the TBL100 Table Buddy can handle up to six (6) ALTINEX Sectional Plates, allowing for diverse input connector configurations. Available plates include combinations of audio, video, computer, and AC power connectors, providing extensive flexibility in a convenient package. These sectional plates are easy to install in the field, or can be custom pre-configured at ALTINEX to arrive in a ready-to-go package.

The TBL108 is a "package" that covers the basic needs of many users and ships complete with 2 standard U.S. power receptacles, computer video (15-pin HD) audio (3.5 mm), standard HDMI, 2 network (RJ-45), and 2 USB (Type A) input connectors. All audiovisual connectors have 6 ft. (2 m) cables that feed through to the bottom of the unit.

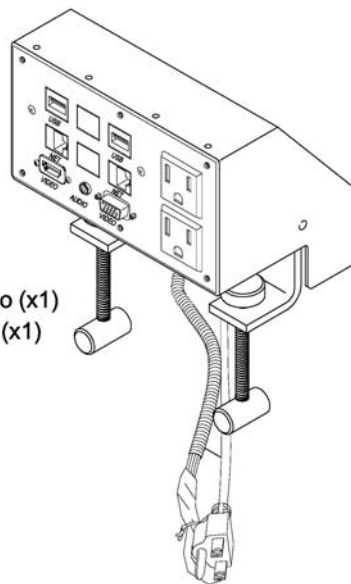


TBL100



TBL108

- USB F(x2)
- RJ-45 F(x2)
- HDMI F (x1)
- 3.5 mm F PC Audio (x1)
- 15-pin HD F VGA (x1)
- AC Power (x2)



6. Application Diagrams

TBL108

Factory Configured Table Buddy, US Power,
SP3502SC. VGA, Audio, HDMI, 2x CAT-5E, 2x USB

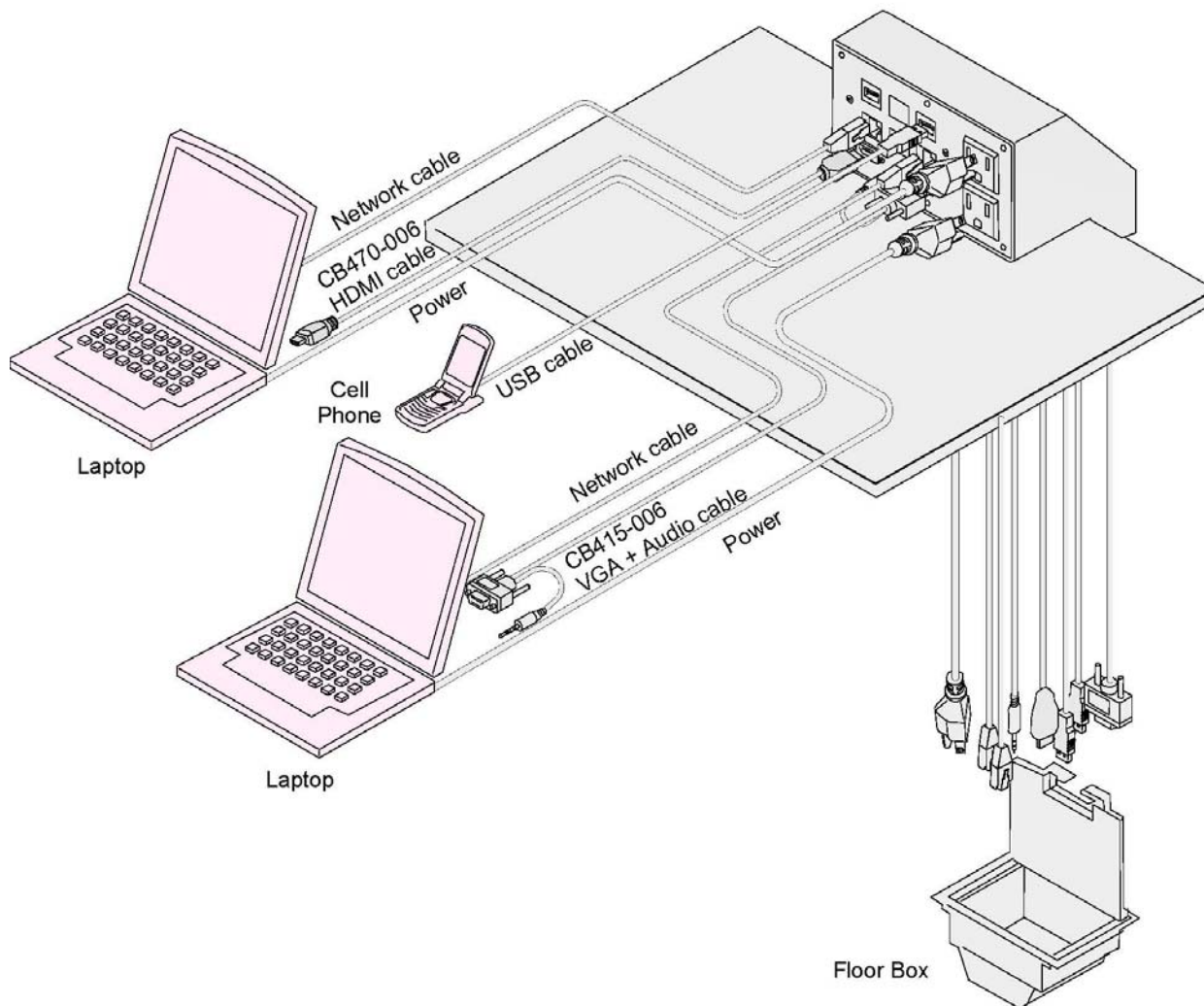


Diagram 1: Dimensions

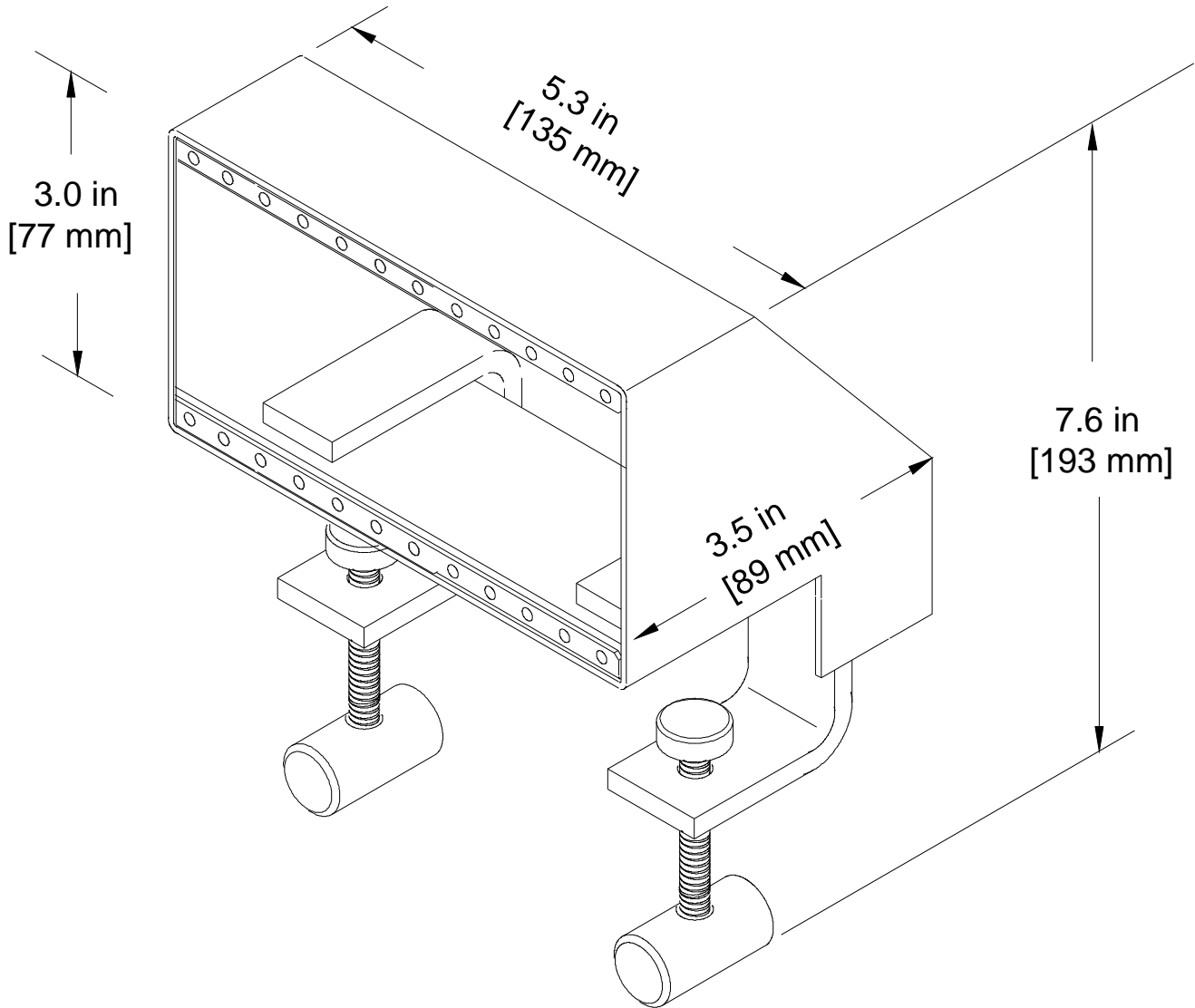
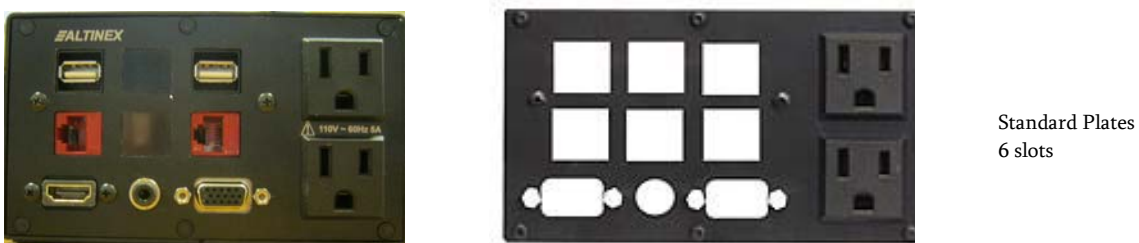
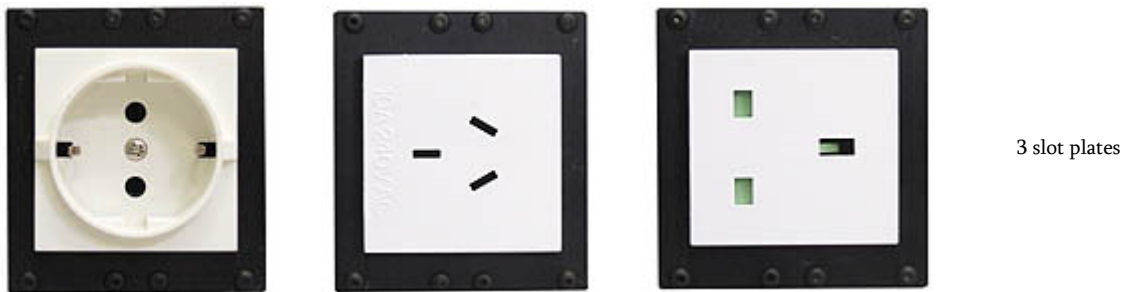


Diagram 2: Popular Section Plates



Many different plates can be installed on the TBL100 using up to 6 slots total. In addition to standard plates, custom plates can be made using blank plates available. For a complete listing and detailed descriptions, see the ALTINEX web site at www.altinex.com.

7. Operation

The TBL100/TBL108 requires no adjustments for performance. Once set-up, the TBL100/TBL108 will work trouble-free without user intervention.

8. Troubleshooting Guide

The TBL100/TBL108 unit supplied was carefully inspected and no problems were detected. However, we would like to offer the following suggestions:

- Please make sure that the highest quality network cables are used.
- Make sure that no cable or power cord is damaged or pinched. If there has been damage to the unit, do not use the TBL100/TBL108. Please contact ALTINEX at (714) 990-2300 to have the unit repaired.