

Welcome!

We greatly appreciate your purchase of the TNP600 Customizable TILT 'N PLUG®. We are sure you will find it reliable and simple to use. Superior performance for the right price, backed by solid technical and customer support is what ALTINEX has to offer.

We are committed to providing our customers with Signal Management Solutions® to the most demanding audiovisual installations at very competitive pricing and we welcome you to join the ranks of our many satisfied customers throughout the world.

1. Precautions and Safety Warnings

Please read this manual carefully before using your TNP600. Keep this manual handy for future reference. These safety instructions are to ensure the long life of your TNP600 and to prevent fire and shock hazards. Please read them carefully and heed all warnings.

1.1 General

- Unauthorized personnel shall not open the unit, as there are high-voltage components inside.
- Qualified ALTINEX service personnel or their authorized representatives must perform all service.

1.2 Installation Precautions

- For best results, place the TNP600 in a dry area away from dust.
- To prevent fire or shock, do not expose this unit to water or moisture. Do not place the TNP600 in direct sunlight, near heaters or heat radiating appliances, or near any liquid. Exposure to direct sunlight, smoke, or steam can harm internal components.
- Handle the TNP600 carefully. Dropping or jarring can damage the bezel.
- Never place fingers inside the opening on either side of the unit. This action could cause injury due to sharp edges inside.
- Do not place heavy objects on top of the TNP600. Do not use excessive force to push down on the top of the unit.

2. Installation Procedures

Step 1. Cut an opening into the table's surface. Refer to the ALTINEX website at www.altinex.com for table cutout requirements.

Note: The table can be 2.50" or less in thickness. Always confirm dimensions before cutting to insure that specifications have not changed.

Step 2. Insert the TNP600 into the table cutout.

Step 3. Place the support brackets under the table and place them between the support mount grooves on the side of the TNP600. Attach the brackets to the groove at the desired height and secure them to the bottom of the table using the thumbscrews provided.

Step 4. To lower the unit, push on the top of the TNP600 until it locks into place.

Note: A standard, empty, TNP600 does not latch in the down position. A cable support bracket is required. The exact cable support bracket required is determined at the time of customization.

If Custom Plates Are Installed

Step 5. Secure all cables to the underside of the table using the cable clamps and screws included with the TNP600. Pass the power cord from the bottom of the housing and attach it to the table separate from the signal cables.

Leave enough slack in the service loop to allow for easy opening and closing, but not too much as to cause excess drooping of the service loop.

Step 6. Connect the appropriate cables with the correct input connectors on the bottom of the unit.

Step 7. Once you have applied power and connected the proper cables on the bottom of the unit you may raise the unit. To raise the TNP600 into position, push down on the front of the top cover; the latching mechanism will then release, allowing the pneumatic spring to raise it into position.

Note: It may be necessary to adjust the service loop of the cables for optimal performance.

3. Limited Warranty/Return policies

Please see the ALTINEX website at www.altinex.com for details on warranty and return policies.

- Disconnect the TNP600's power cord to turn off the main power. This supplies power to the power socket on the pop up panel. The power outlet should be installed near the equipment and be easily accessible.
- We recommend using wall outlets with a Ground Fault Circuit Interrupter (GFCI) for maximum protection.
- Install all cables according to the instructions found herein. Do not force or pull out any cable or power cord attached to the TNP600.

1.3 Cleaning

- Surfaces should be cleaned with a dry cloth. Never use strong detergents or solvents such as alcohol or thinner. Do not use a wet cloth or water to clean the unit.

1.4 FCC Notice

- This device complies with Part 15 of the FCC Rules. Operation is subject to the following two conditions: (1) This device may not cause harmful interference, and (2) this device must accept any interference received, including interference that may cause undesired operation.
- This equipment has been tested and found to comply with the limits for a Class A digital device, pursuant to Part 15 of the FCC Rules. These limits are designed to provide reasonable protection against harmful interference when the equipment is operated in a commercial environment. This equipment generates, uses, and can radiate radio frequency energy and, if not installed and used in accordance with the instructions found herein, may cause harmful interference to radio communications. Operation of this equipment in a residential area is likely to cause harmful interference in which case the user will be required to correct the interference at his expense.
- Any changes or modifications to the unit not expressly approved by ALTINEX, Inc. could void the user's authority to operate the equipment.

4. Technical Specifications

Specifications are subject to change. See www.altinex.com for up-to-date information.

Features/Description	TNP600
Inputs	
Customizable	Custom Audio/Video/Control
Outputs	
Customizable	Custom Audio/Video/Control
Power	
Customizable	US or International

Table 1. TNP600 General

MECHANICAL	TNP600	
Max. Table Thickness	2.5 in	(64 mm)
Height, opened	7.3 in	(184 mm)
Height (above table)	3.2 in	(82 mm)
Height (below table)	4.0 in	(102 mm)
Width	10.0 in	(253 mm)
Depth	6.5 in	(166 mm)
Finish	Matte Black	
T° Operating (T° Max)	10°C-35°C (40°C)	
Humidity	90% non-condensing	

Table 2. TNP600 Mechanical

Electrical (Single outlet panel)	TNP600
Pass-Through Signals	All standard audio, video, network, and modem signals are acceptable.
Power Rating (pass-through AC power)	600W maximum

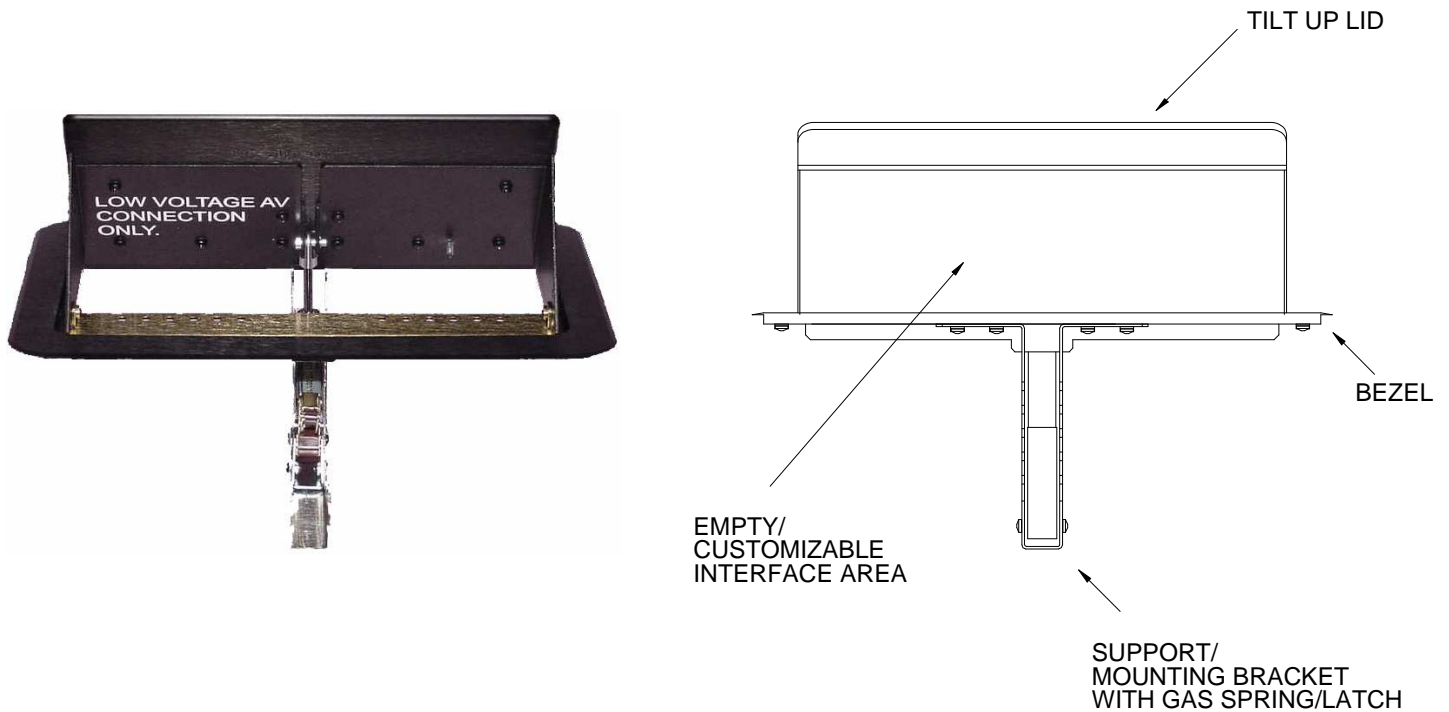
Table 3. TNP600 Electrical

5. About Your TNP600

The TNP600 is a compact interconnection solution designed for installation into a table as part of a presentation system. It is designed for mounting into a table, podium, or other furniture to provide a way of connecting audiovisual equipment on top of the furniture to a presentation system below the furniture.

The TNP600 is empty, but can be configured with various multimedia and power input plates that can be accessed when the TNP600 is "tilted" open. The input plates of the TNP600 are accessible by pushing down on the top cover. The unit then auto tilts open with help from an internal pneumatic spring. Once open, the input plate remains securely in place. The input plate is hidden by pressing down on the top cover until the latching mechanism engages. In its closed position, the top panel lies flush with the tabletop until needed again.

All Tilt 'N Plug Signal Management Solutions come with a standard top and bezel offering a high quality matte black finish. Other finishes or special bezel configurations are available upon request. Please contact an ALTINEX representative to discuss custom options.



6. Application Diagrams

Diagram 1: Front Dimensions

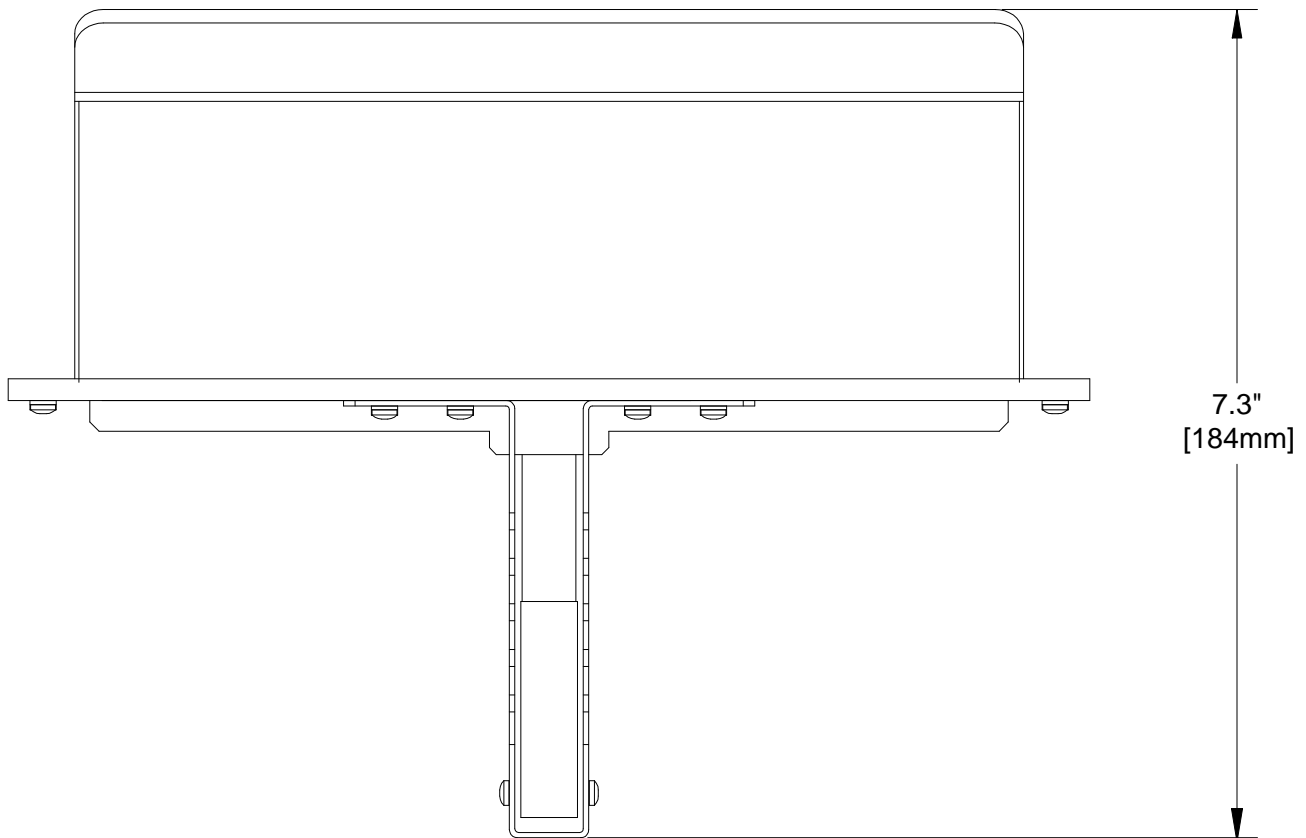


Diagram 2: Side Dimensions

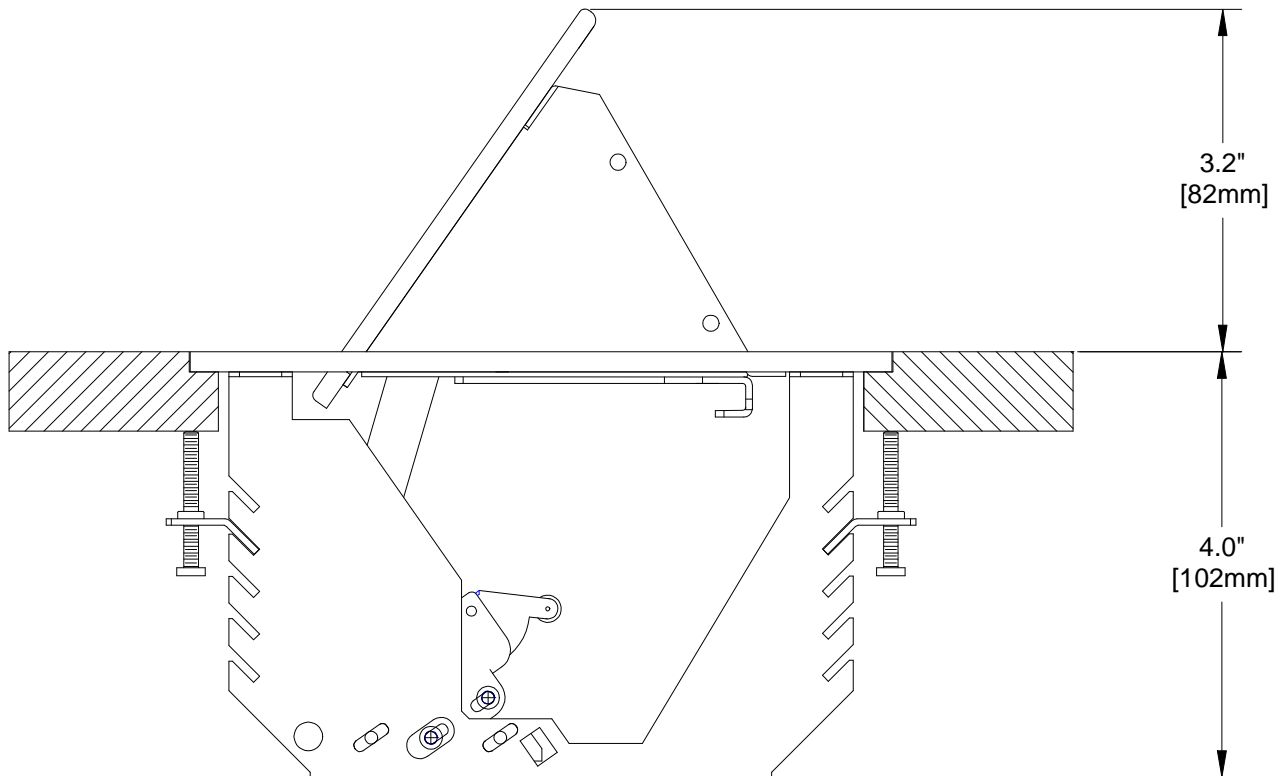


Diagram 3: Top Dimensions

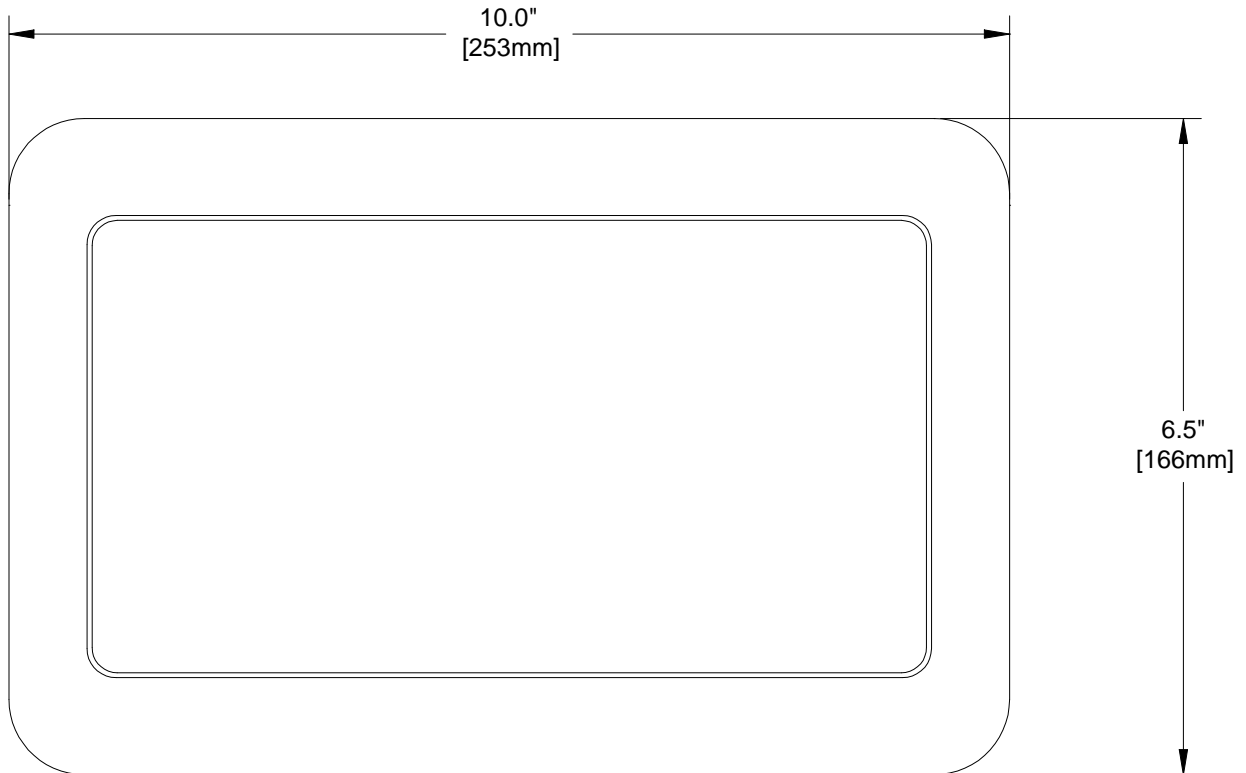
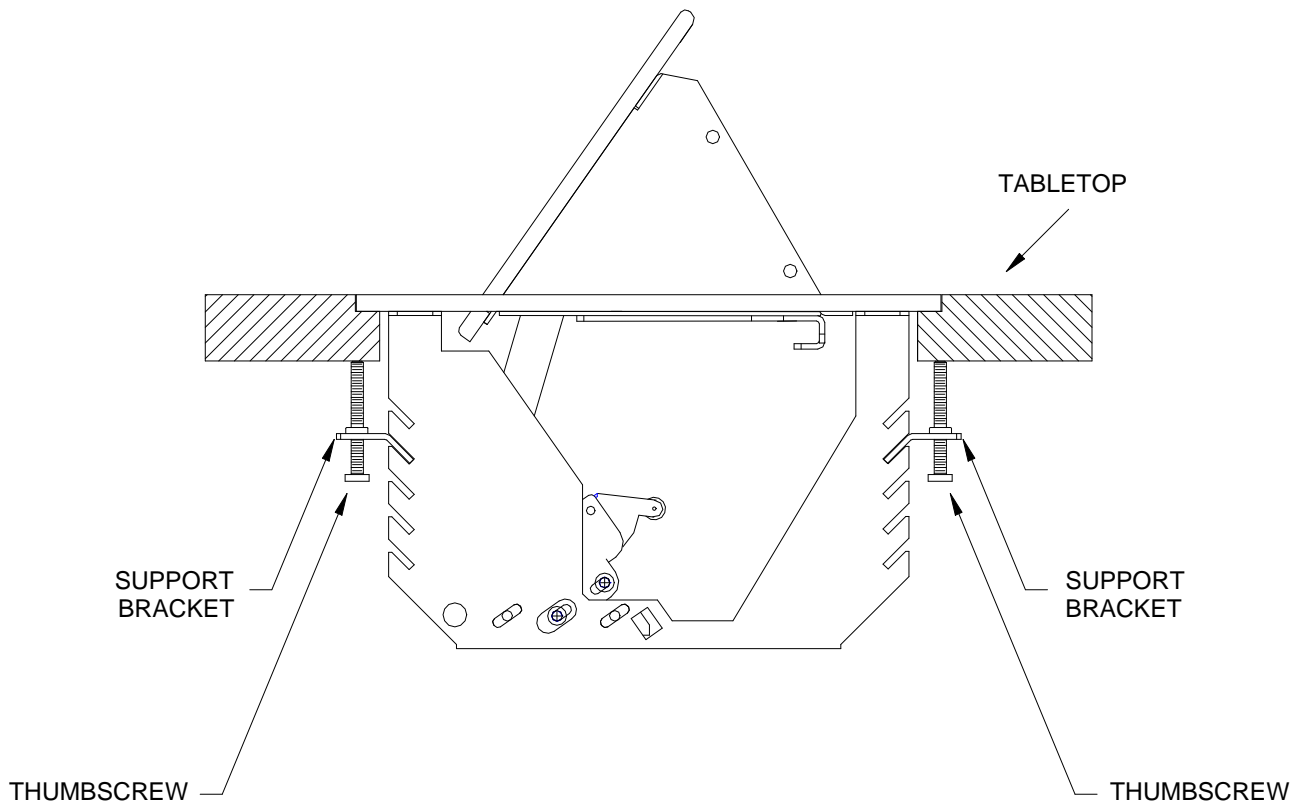


Diagram 4: Mounting Sample



7. Operation

7.1 Opening and Closing the TNP600

The TNP600 will open easily when the top is pressed down and then released.

When the TNP600 is not in use, simply press the top down until it is level with the surface of the table and then release. The unit will remain hidden until needed again.

7.2 Power/Signal Connections

Connect external devices to the appropriate connector on the TNP600. Remember, the devices plugged into the AC power connectors should not draw more than 600W of power.

8. Troubleshooting Guide

The TNP600 supplied was carefully tested and no problems were detected. However, we would like to offer the following suggestions:

- Please make sure that the highest quality network cables are used.
- Make sure that no cable or power cord is damaged or pinched. If there has been damage, do not use the TNP600. Please call the ALTINEX Customer Service Department at (714) 990-2300 to have the unit repaired.
- If the unit does not rise into position correctly, check the service loops for the signal and power cords on the bottom of the unit