



KRAMER ELECTRONICS LTD.

USER MANUAL

MODELS:

TP-121EDID, XGA /Audio Line
Transmitter

TP-123EDID, XGA
/Audio/Data Line Transmitter

TP-125EDID, XGA
/Audio/Data Line Transmitter

PT-110EDID, XGA Line
Transmitter

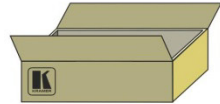


TP-121EDID, TP-123EDID, TP-125EDID, PT-110EDID Quick Start Guide

This guide helps you install and use your product for the first time. For more detailed information, go to http://www.kramerelectronics.com/support/product_downloads.asp to download the latest manual or scan the QR code on the left.

Step 1: Check what's in the box

- ✓ TP-121EDID, TP-123EDID, TP-125EDID and/or PT-110EDID XGA/TP Transmitter
- ✓ 4 Rubber feet
- ✓ 1 Quick Start sheet
- ✓ 1 Power supply (12V DC)



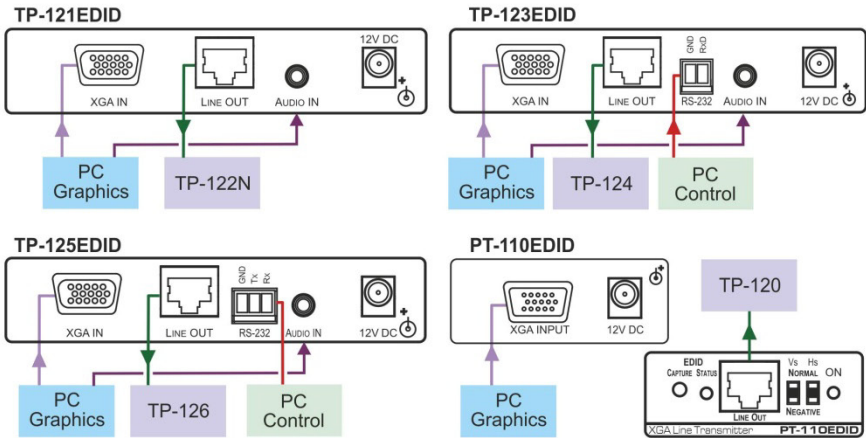
Save the original box and packaging in case your product needs to be returned to the factory for service.

Step 2: Install the TP-12xEDID/PT-110EDID

Attach the rubber feet and place on a table or mount the machine in a rack (using an optional RK-3T rack mount for the TP-12xEDID units or an RK-4PT for the PT-110EDID).

Step 3: Connect the inputs and outputs

Always switch off the power on each device before connecting it to your product.



Always use Kramer high-performance cables for connecting AV equipment to the product.

Step 4: Connect the power

Connect the 12V DC power adapter to the transmitter and plug the adapter into the mains electricity.



Step 5: Operate the Product

To capture the EDID, press the CAPTURE button.

Contents

1	Introduction	1
2	Getting Started	2
2.1	Achieving the Best Performance	2
2.2	Safety Instructions	3
2.3	Recycling Kramer Products	3
3	Overview	4
3.1	About Shielded Twisted Pair (STP)/Unshielded Twisted Pair (UTP)	4
3.2	About the Power Connect™ Feature	5
4	Your TP-121EDID	6
4.1	Overview	6
4.2	Connecting the TP-121EDID XGA/Audio Line Transmitter	7
4.3	Technical Specifications - TP-121EDID	10
5	Your TP-123EDID	11
5.1	Overview	11
5.2	Connecting the TP-123EDID XGA/Audio/Data Line Transmitter	12
5.3	Connecting the RS-232 Port	14
5.4	Technical Specifications – TP123EDID	15
6	Your TP-125EDID	16
6.1	Overview	16
6.2	Connecting the TP-125EDID XGA/Audio/Data Line Transmitter	17
6.3	Connecting the RS-232 Port	19
6.4	Technical Specifications – TP-125EDID	20
7	Your PT-110EDID	21
7.1	Overview	21
7.2	Connecting the PT-110EDID XGA/Line Transmitter	22
7.3	Technical Specifications PT-110EDID	24
8	Wiring the TP LINE IN/LINE OUT RJ-45 Connectors	25
9	Acquiring the EDID	26

Figures

Figure 1:	TP-121EDID XGA/Audio Line Transmitter	7
Figure 2:	Connecting the TP-121EDID XGA/Audio Line Transmitter	9
Figure 3:	TP-123EDID XGA/Audio/Data Line Transmitter	12
Figure 4:	Connecting the TP-123EDID XGA/Audio/Data Line Transmitter	14
Figure 5:	RS-232 PINOUT Connection	15
Figure 6:	TP-125EDID XGA/Audio/Data Line Transmitter	17
Figure 7:	Connecting the TP-125EDID XGA/Audio/Data Line Transmitter	19
Figure 8:	RS-232 PINOUT Connection	20
Figure 9:	PT-110EDID XGA Line Transmitter	22
Figure 10:	Connecting the PT-110EDID XGA/Line Transmitter	23
Figure 11:	TP PINOUT	25

1 Introduction

Welcome to Kramer Electronics! Since 1981, Kramer Electronics has been providing a world of unique, creative, and affordable solutions to the vast range of problems that confront video, audio, presentation, and broadcasting professionals on a daily basis. In recent years, we have redesigned and upgraded most of our line, making the best even better!

Our 1,000-plus different models now appear in 11 groups that are clearly defined by function: GROUP 1: Distribution Amplifiers; GROUP 2: Switchers and Routers; GROUP 3: Control Systems; GROUP 4: Format/Standards Converters; GROUP 5: Range Extenders and Repeaters; GROUP 6: Specialty AV Products; GROUP 7: Scan Converters and Scalers; GROUP 8: Cables and Connectors; GROUP 9: Room Connectivity; GROUP 10: Accessories and Rack Adapters and GROUP 11: Sierra Video Products.

Thank you for purchasing your Kramer TOOLS: **TP-121EDID** XGA/Audio Line Transmitter, and/or **TP-123EDID**, XGA/Audio/Data Line Transmitter, and/or **TP-125EDID**, XGA/Audio/Data Line Transmitter, and/or Kramer Pico TOOLS™ **PT-110EDID**, XGA Line Transmitter, which are ideal for:

- Presentation and multimedia applications
- Long-range graphics distribution for schools, hospitals, security, and stores

2 Getting Started

We recommend that you:

- Unpack the equipment carefully and save the original box and packaging materials for possible future shipment
- Review the contents of this user manual
- Use Kramer high performance high resolution cables



Go to <http://www.kramerelectronics.com> to check for up-to-date user manuals, application programs, and to check if firmware upgrades are available (where appropriate).

2.1 Achieving the Best Performance

To achieve the best performance:

- Use only good quality connection cables to avoid interference, deterioration in signal quality due to poor matching, and elevated noise levels (often associated with low quality cables)
- Do not secure the cables in tight bundles or roll the slack into tight coils
- Avoid interference from neighboring electrical appliances that may adversely influence signal quality
- Position your Kramer products away from moisture, excessive sunlight and dust



This equipment is to be used only inside a building. It may only be connected to other equipment that is installed inside a building.

2.2 Safety Instructions



Caution: There are no operator serviceable parts inside the unit

Warning: Use only the Kramer Electronics input power wall adapter that is provided with the unit

Warning: Disconnect the power and unplug the unit from the wall before installing

2.3 Recycling Kramer Products

The Waste Electrical and Electronic Equipment (WEEE) Directive 2002/96/EC aims to reduce the amount of WEEE sent for disposal to landfill or incineration by requiring it to be collected and recycled. To comply with the WEEE Directive, Kramer Electronics has made arrangements with the European Advanced Recycling Network (EARN) and will cover any costs of treatment, recycling and recovery of waste Kramer Electronics branded equipment on arrival at the EARN facility. For details of Kramer's recycling arrangements in your particular country go to our recycling pages at <http://www.kramerelectronics.com/support/recycling/>.

3 Overview

This user manual describes the following devices:

- **TP-121EDID** XGA/Audio Line Transmitter (see [Section 4](#))
- **TP-123EDID** XGA/Audio/Data Line Transmitter (see [Section 5](#))
- **TP-125EDID** XGA/Audio/Data Line Transmitter (see [Section 6](#))
- **PT-110EDID** XGA Line Transmitter (see [Section 7](#))

This section also describes:

- Using shielded twisted pair (STP)/unshielded twisted pair (UTP), see [Section 3.1](#)
- The power connect feature, see [Section 3.2](#)

3.1 About Shielded Twisted Pair (STP)/Unshielded Twisted Pair (UTP)

We recommend that you use Shielded Twisted Pair (STP) cable, and stress that the compliance to electromagnetic interference was tested using STP cable. There are different levels of STP cable available, and we advise you to use the best quality STP cable that you can afford. Our non-skew-free cable, Kramer **BC-STP** is intended for analog signals where skewing is not an issue.

In cases where there is skewing, our Unshielded Twisted Pair (UTP) skew-free cable, Kramer **BC-XTP**, may be advantageous, and UTP cable might also be preferable for long-range applications. In any event when using UTP cable, it is advisable to ensure that the cable is installed far away from electric cables, motors and so on, which are prone to create electrical interference.

3.2 About the Power Connect™ Feature

The Power Connect feature applies as long as the cable can carry power. This feature is available when using STP cable and the distance does not exceed 50m (164ft) on standard CAT 5 cable. For longer distances, heavy-gauge cable should be used (TP cable is still suitable for the video/audio transmission, but not for feeding power at these distances). For units that are connected via RJ-45 connectors, make sure that the shield of the STP cable is connected to the metal casing of the connectors on both ends of the cable. For units that are connected via terminal block connectors, the shield of the STP cable must be connected to a ground terminal on the units at both ends. (Use the ground terminal of the power supply connection if necessary.) For a TP cable exceeding a distance of 50m, separate power supplies should be connected to the transmitter and to the receiver simultaneously.

4 Your TP-121EDID

This section describes the **TP-121EDID XGA/Audio Line Receiver**.

4.1 Overview

The **TP-121EDID** is a high-performance XGA/stereo audio line transmitter. It inputs an XGA signal (up to WUXGA, 1080p) and an unbalanced stereo audio signal and transmits them over CAT 5 cable to a receiver (for example, the Kramer **TP-122N**). It converts the unbalanced stereo audio signal to a digital audio (S/PDIF) stream before transmitting, to preserve the quality of the audio signal.

When the **TP-121EDID** is connected to a display device and the EDID CAPTURE button is pressed, the **TP-121EDID** reads and stores the EDID (Extended Display Identification Data) from the display device. The display can be disconnected and later reconnected without rebooting the operating system.

The **TP-121EDID** features:

- A maximum resolution of WUXGA and 1080p
- A transmission range of more than 300ft (100m), and a 20kHz audio bandwidth with an S/N ratio that exceeds 80dB on the same transmission range
- EDID Capture that copies and stores the EDID from a display device
- The Power Connect Feature that transmits power to the receiving device, or receives power from it, over twisted pair cable
- 12V DC power

[Figure 1](#) defines the **TP-121EDID**:

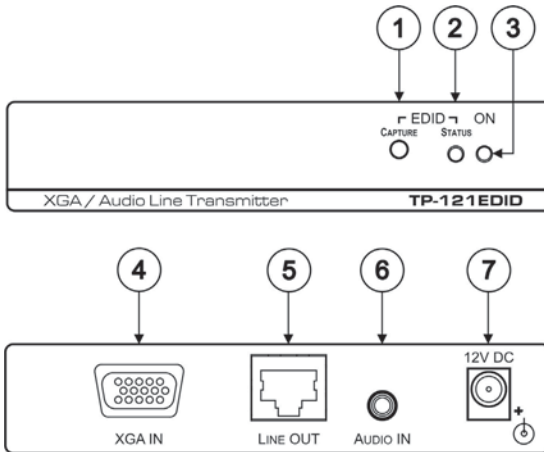


Figure 1: TP-121EDID XGA/Audio Line Transmitter

#	Feature		Function
1	EDID	CAPTURE Button	Press to capture the EDID information from the display
2		STATUS LED	Illuminates during normal operation; flashes when acquiring the EDID
3	ON LED		Illuminates when receiving power
4	XGA IN 15-pin HD (F) connector		Connects to the XGA source
5	LINE OUT RJ-45 connector		Connects to the LINE IN RJ-45 connector on a receiver Using a CAT 5 cable with RJ-45 connectors at both ends (the PINOUT is defined in Section 8)
6	AUDIO IN 3.5mm mini jack		Connects to the audio source
7	12V DC		+12V DC connector for powering the unit

4.2 Connecting the TP-121EDID XGA/Audio Line Transmitter

You can use the **TP-121EDID** together with the **TP-122N** to configure a twisted pair transmitter and receiver system, to transmit the video and audio signals via CAT 5 cable.



Before connecting the transmitter and receiver system you can acquire the EDID from the display or set the system to the default EDID, see [Section 9](#).

To connect the **TP-121EDID** with the **TP-122N**, as the example in [Figure 2](#) illustrates, do the following:

1. On the **TP-121EDID**, connect the:
 - XGA source (for example, a laptop's graphics card) to the XGA IN 15-pin HD (F) connector
 - Audio source (for example, the audio out of the PC) to the AUDIO IN 3.5mm mini jack
You can use a Kramer **C-GMA/GMA** cable (VGA 15-pin HD (M) + audio jack to VGA 15-pin HD (M) + audio jack) to make both connections on one cable. Cables are not supplied. The complete list of Kramer cables is on our Web site at <http://www.kramerelectronics.com>.
2. On the **TP-122N**, connect the:
 - XGA OUT 15-pin HD (F) connector to the XGA acceptor (for example, a display)
 - AUDIO OUT S/PDIF RCA connector to the digital audio acceptor (for example, an AV receiver)
 - ANALOG 3.5mm mini jack to the analog audio acceptor (for example, a stereo audio recorder)
3. Connect the LINE OUT RJ-45 connector on the **TP-121EDID** to the LINE IN RJ-45 connector on the **TP-122N**, using CAT 5 cabling.
CAT 5 cable has a range of greater than 300ft (>100m). For details of how to wire a CAT 5 LINE IN/LINE OUT RJ-45 connector, see [Section 8](#).
4. Connect the 12V DC power adapter to the power socket and connect the adapter to the mains electricity on both the **TP-121EDID** and the **TP-122N**.
If you cannot connect the power to both the **TP-121EDID** and **TP-122N**, connect the power only to any one unit.
5. On the **TP-122N**:
 - Adjust the video output signal level and/or cable compensation equalization level, if required
Use a screwdriver to carefully rotate the trimmer, adjusting the appropriate level.
 - If necessary, set the H SYNC and V SYNC switches, on the underside
By default, both switches are set down (for negative V SYNC and H SYNC polarity).

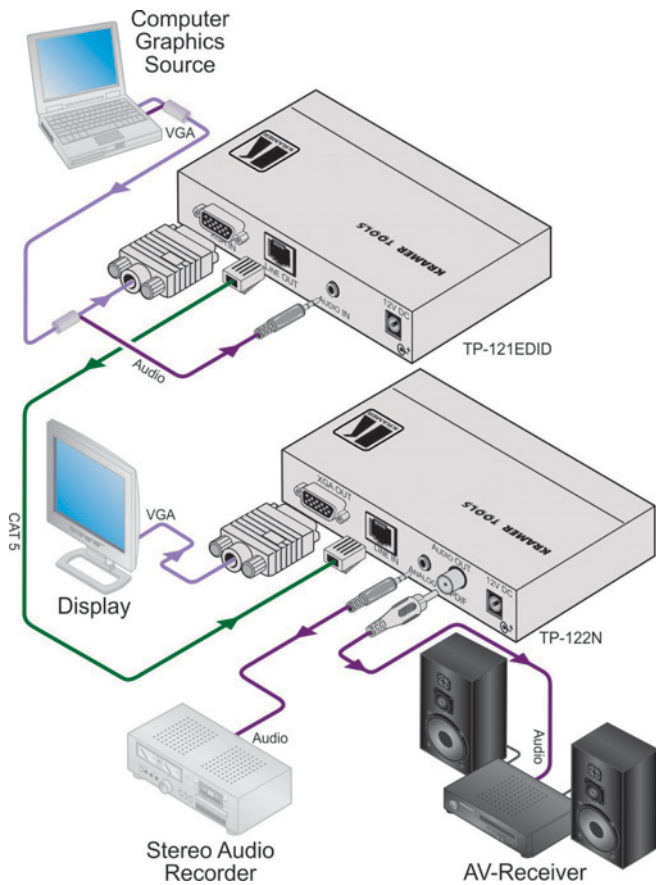


Figure 2: Connecting the TP-121EDID XGA/Audio Line Transmitter

4.3 Technical Specifications - TP-121EDID

INPUTS:	Video: 1 VGA/UXGA on a 15-pin HD connector Audio: 1 audio ANALOG 3.5mm mini jack
OUTPUT:	1 RJ-45 OUT connector
BANDWIDTH (-3dB):	Audio: 20Hz to 20kHz @0.5dB
RESOLUTION:	Up to WUXGA and 1080p
S/N RATIO:	Video: 58dB unweighted, 68.3dB @5MHz weighted Audio: <-80dB
TOTAL GAIN:	Audio: Analog/analog: 0dB; Analog/SPDIF: -12dBFS
COUPLING:	AC
TND+N:	Audio: <0.01%
POWER CONSUMPTION:	12V DC, 540mA
OPERATING TEMPERATURE:	0° to +40°C (32° to 104°F)
STORAGE TEMPERATURE:	-40° to +70°C (-40° to 158°F)
HUMIDITY:	10% to 90%, RHL non-condensing
DIMENSIONS:	12.1cm x 7.18cm x 2.42cm (4.76" x 2.83" x 0.95") W, D, H
WEIGHT:	0.3kg (0.67lbs) approx.
ACCESSORIES:	Power supply
OPTIONS:	RK-3T 19" rack adapter
<p>All measurements are based on the transmitter/receiver pair. Specifications are subject to change without notice at http://www.kramerelectronics.com</p>	

5 Your TP-123EDID

This section describes the **TP-123EDID XGA/Audio/Data Line Transmitter**.

5.1 Overview

The **TP-123EDID** is a high-performance XGA/stereo audio line transmitter. It inputs an XGA signal (up to WUXGA, 1080p), unbalanced stereo audio signal, and unidirectional (RxD) RS-232 control commands and transmits them over CAT 5 cable to a receiver (for example, the Kramer **TP-124 XGA/Audio/Data Line Receiver**). It converts the unbalanced stereo audio signal to a digital audio (S/PDIF) stream before transmitting, to preserve the quality of the audio signal.

When the **TP-123EDID** is connected to a display device and the EDID CAPTURE button is pressed, the **TP-123EDID** reads and stores the EDID (Extended Display Identification Data) from the display device. The display can be disconnected and later reconnected without rebooting the operating system.

The **TP-123EDID** features:

- A maximum resolution of WUXGA and 1080p
- A transmission range of more than 300ft (100m), and a 20kHz audio bandwidth with an S/N ratio that exceeds 80dB on the same transmission range
- A unidirectional RS-232 port for transmitting control commands
- EDID Capture that copies and stores the EDID from a display device
- The Power Connect Feature that transmits power to the receiving device, or receives power from it, over twisted pair cable
- 12V DC power

[Figure 3](#) defines the **TP-123EDID**:

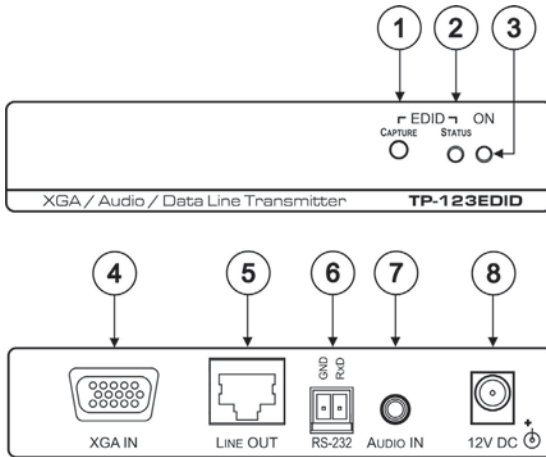


Figure 3: TP-123EDID XGA/Audio/Data Line Transmitter

#	Feature	Function
1	EDID CAPTURE Button	Press to acquire the EDID information from the display
2		STATUS LED Illuminates during normal operation; flashes when acquiring the EDID
3	ON LED	Illuminates when receiving power
4	XGA IN 15-pin HD (F) connector	Connect to the XGA source
5	LINE OUT RJ-45 connector	Connects to the LINE IN RJ-45 connector on the TP-124 XGA/Audio Line Receiver Use a CAT 5 cable with RJ-45 connectors at both ends (the PINOUT is defined in Section 8)
6	RS-232 terminal block connector	Connects to the PC or the Remote Controller (see Section 5.3)
7	AUDIO IN 3.5mm mini jack	Connects to the audio source
8	12V DC	+12V DC connector for powering the unit

5.2 Connecting the TP-123EDID XGA/Audio/Data Line Transmitter

You can use the **TP-123EDID** together with the **TP-124 XGA/Audio/Data Line Receiver** to configure a twisted pair transmitter and receiver system, to transmit the video, audio and RS-232 control signals via CAT 5 cable.



Before connecting the transmitter and receiver system you can acquire the EDID from the display or set the system to the default EDID, see [Section 9](#).

To connect the **TP-123EDID** and the **TP-124**, as the example in [Figure 4](#) illustrates, do the following:

1. On the **TP-123EDID**, connect the:
 - XGA source (for example, a laptop's graphics card) to the XGA IN 15-pin HD (F) connector
 - Audio source (for example, the audio out of the PC) to the AUDIO IN 3.5mm mini jack
You can use a Kramer **C-GMA/GMA** cable (VGA 15-pin HD (M) + audio jack to VGA 15-pin HD (M) + audio jack) to make both connections on one cable. Cables are not supplied. The complete list of Kramer cables is on our Web site at <http://www.kramerelectronics.com>.
 - RS-232 cable with a 9-pin D-sub connector to the laptop, and a 2-pin terminal block connector to the **TP-123EDID** RS-232 port (as shown in [Figure 5](#)).
2. On the **TP-124**, connect:
 - The XGA OUT 15-pin HD (F) connector to a display
 - The S/PDIF audio OUT RCA connector to a digital AV receiver (leave the ANALOG audio OUT 3.5mm mini jack unconnected)
 - An RS-232 cable with a 2-pin terminal block connector to the **TP-124** RS-232 port, and a 9-pin D-sub connector to the RS-232 port on an RS-232 controllable device (for example, a switcher)
3. Connect the Line OUT RJ-45 connector on the **TP-123EDID** to the LINE IN RJ-45 connector on the **TP-124**, via CAT 5 cabling.
CAT 5 cable has a range of greater than 300ft (>100m). For details of how to wire a CAT 5 LINE IN/LINE OUT RJ-45 connector, see [Section 8](#).
4. Connect the 12V DC power adapter to the power socket and connect the adapter to the mains electricity on both the **TP-123EDID** and the **TP-124**.
If you cannot connect the power to both the **TP-123EDID** and **TP-124**, connect the power to any one unit.
5. On the **TP-124**:
 - Adjust the video output signal level and/or cable compensation equalization level, if required
Use a screwdriver to carefully rotate the trimmer, adjusting the appropriate level.

- If necessary, set the H SYNC and V SYNC switches, on the underside
By default, both switches are set down (for negative V SYNC and H SYNC polarity).

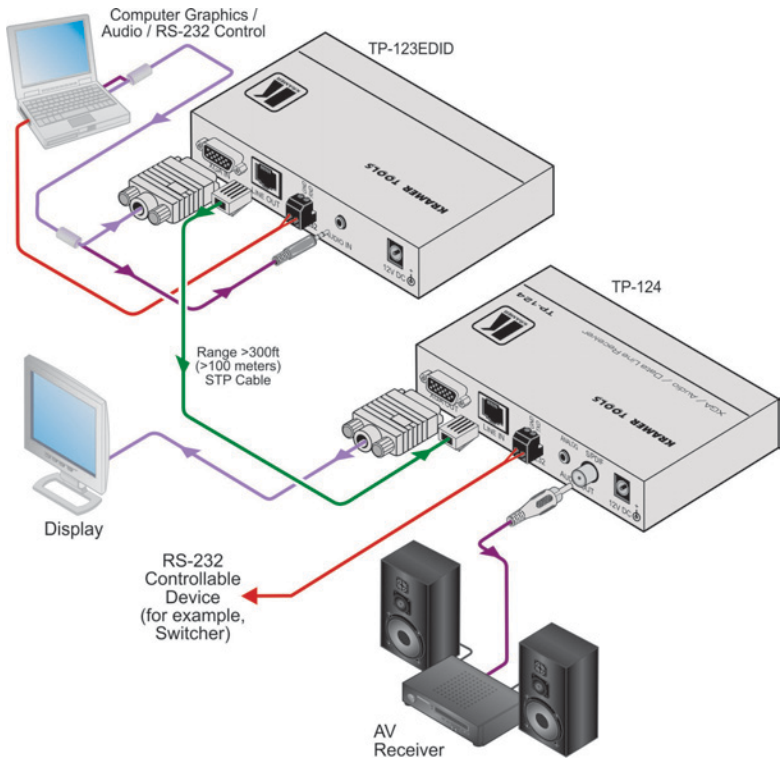
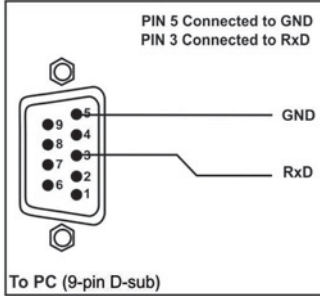


Figure 4: Connecting the TP-123EDID XGA/Audio/Data Line Transmitter

5.3 Connecting the RS-232 Port

To control an RS-232 controllable remote device from a PC or RS-232 controller, prepare an RS-232 cable with a 9-pin D-sub connector at one end, and a 2-pin terminal block connector at the other end, as shown in [Figure 5](#).

PC (Controller) to TP-123EDID



TP-124 to Controlled Unit

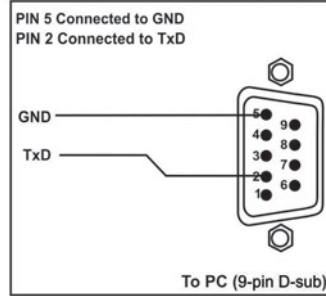


Figure 5: RS-232 PINOUT Connection

Connect this PIN on the Terminal Block Connector:	To this PIN on the 9-pin D-sub Connector
TxD	PIN 2
RxD	PIN 3
GND	PIN 5

5.4 Technical Specifications – TP123EDID

INPUTS:	Video: 1 VGA/UXGA on a 15-pin HD connector Audio: 1 audio ANALOG 3.5mm mini jack
OUTPUT:	1 RJ-45 OUT connector
CONTROL:	RS-232 2-pin terminal block
RS-232 BAUD RATE:	Up to 19200kbps
BANDWIDTH (-3dB):	Audio: 20Hz to 20kHz @0.5dB
RESOLUTION:	Up to WUXGA and 1080p
S/N RATIO:	Video: 58dB unweighted, 68.3dB @5MHz weighted Audio: <-80dB
TOTAL GAIN:	Audio: Analog/analog: 0dB; Analog/SPDIF: -12dBFS
COUPLING:	AC
TND+N:	Audio: <0.01%
POWER CONSUMPTION:	12V DC, 550mA
OPERATING TEMPERATURE:	0° to +40°C (32° to 104°F)
STORAGE TEMPERATURE:	-40° to +70°C (-40° to 158°F)
HUMIDITY:	10% to 90%, RHL non-condensing
DIMENSIONS:	12.1cm x 7.18cm x 2.42cm (4.76" x 2.83" x 0.95") W, D, H
WEIGHT:	0.3kg (0.67lbs) approx.
ACCESSORIES:	Power supply
OPTIONS:	RK-3T 19" rack adapter
All measurements are based on the transmitter/receiver pair. Specifications are subject to change without notice at http://www.kramerelectronics.com	

6 Your TP-125EDID

This section describes the **TP-125EDID XGA/Audio/Data Line Transmitter**.

6.1 Overview

The **TP-125EDID** is a high-performance XGA/stereo audio line transmitter. It inputs an XGA signal (up to WUXGA, 1080p), unbalanced stereo audio signal, and bidirectional RS-232 control commands and transmits them over CAT 5 cable to a receiver (for example, the Kramer **TP-126 UXGA/Audio/Data Line Receiver**). It converts the unbalanced stereo audio signal to a digital audio (S/PDIF) stream before transmitting, to preserve the quality of the audio signal. Commands and data can flow in both directions via the RS-232 interface, allowing status requests and control of the destination unit. The **TP-125EDID** includes H and V Sync internal polarity switches.

When the **TP-125EDID** is connected to a display device and the EDID CAPTURE button is pressed, the **TP-125EDID** reads and stores the EDID (Extended Display Identification Data) from the display device. The display can be disconnected and later reconnected without rebooting the operating system.

The **TP-125EDID** features:

- A maximum resolution of WUXGA and 1080p
- A transmission range of more than 300ft (100m), and a 20kHz audio bandwidth with an S/N ratio that exceeds 80dB on the same transmission range
- A bidirectional RS-232 port where commands and data can flow in both directions via the RS-232 interface, allowing status requests and control of the destination unit
- EDID Capture that copies and stores the EDID from a display device
- 12V DC power

Figure 6 defines the **TP-125EDID**:

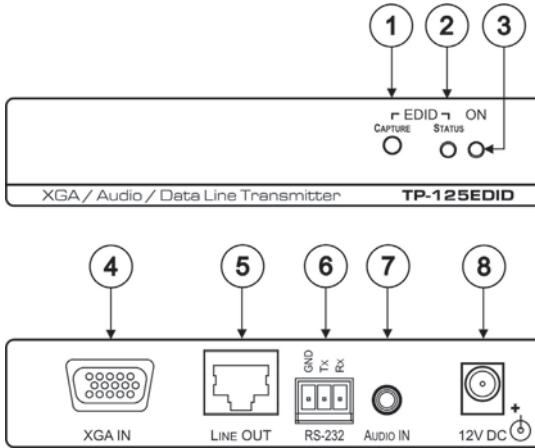


Figure 6: TP-125EDID XGA/Audio/Data Line Transmitter

#	Feature	Function
1	<i>EDID</i> CAPTURE Button	Press to acquire the EDID information from the display
2	STATUS LED	Illuminates during normal operation; flashes when acquiring the EDID
3	ON LED	Illuminates when receiving power
4	XGA IN 15-pin HD (F) connector	Connect to the XGA source
5	LINE OUT RJ-45 connector	Connects to the LINE IN RJ-45 connector on the TP-126 XGA/Audio Line Receiver Use a CAT 5 cable with RJ-45 connectors at both ends (the PINOUT is defined in Section 8)
6	RS-232 terminal block connector	Connects to the PC or the Remote Controller (see Section 5.3)
7	AUDIO IN 3.5mm mini jack	Connects to the audio source
8	12V DC	+12V DC connector for powering the unit

6.2 Connecting the TP-125EDID XGA/Audio/Data Line Transmitter

You can use the **TP-125EDID** together with the **TP-126 UXGA/Audio/Data Line Receiver** to configure a twisted pair transmitter and receiver system, to transmit the video, audio and RS-232 control signals via CAT 5 cable.



Before connecting the transmitter and receiver system you can acquire the EDID from the display or set the system to the default EDID, see [Section 9](#).

To connect the **TP-125EDID** and the **TP-126**, as the example in [Figure 7](#) illustrates, do the following:

1. On the **TP-125EDID**, connect the:
 - XGA source (for example, a laptop's graphics card) to the XGA IN 15-pin HD (F) connector
 - Audio source (for example, the audio out of the PC) to the AUDIO IN 3.5mm mini jack

You can use a Kramer **C-GMA/GMA** cable (VGA 15-pin HD (M) + audio jack to VGA 15-pin HD (M) + audio jack) to make both connections on one cable.

Cables are not supplied. The complete list of Kramer cables is on our Web site at <http://www.kramerelectronics.com>.

- An RS-232 cable with a 9-pin D-sub connector to the laptop, and a 3-pin terminal block connector to the **TP-125EDID** RS-232 port (as shown in [Figure 5](#))
2. On the **TP-126**, connect:
 - The UXGA OUT 15-pin HD (F) connector to the AV display system
 - The S/PDIF audio OUT RCA connector to a digital AV receiver (leave the ANALOG Audio OUT 3.5mm mini jack unconnected)
 - An RS-232 cable with a 3-pin terminal block connector to the **TP-126** RS-232 port, and a 9-PIN D-SUB connector to the RS-232 port on the AV display system
 3. Connect the Line OUT RJ-45 connector on the **TP-125EDID** to the LINE IN RJ-45 connector on the **TP-126**, via CAT 5 cabling.

CAT 5 cable has a range of greater than 300ft (>100m). For details of how to wire a CAT 5 LINE IN/LINE OUT RJ-45 connector, see [Section 8](#).

4. Connect the 12V DC power supply to the power socket and connect the adapter to the mains electricity on both the **TP-125EDID** and the **TP-126**.

5. On the **TP-126**:

- Adjust the video output signal level and/or cable compensation equalization level, if required
Use a screwdriver to carefully rotate the trimmer, adjusting the appropriate level.
- If necessary, set the H SYNC and V SYNC switches, on the underside
By default, both switches are set down (for negative V SYNC and H SYNC polarity).

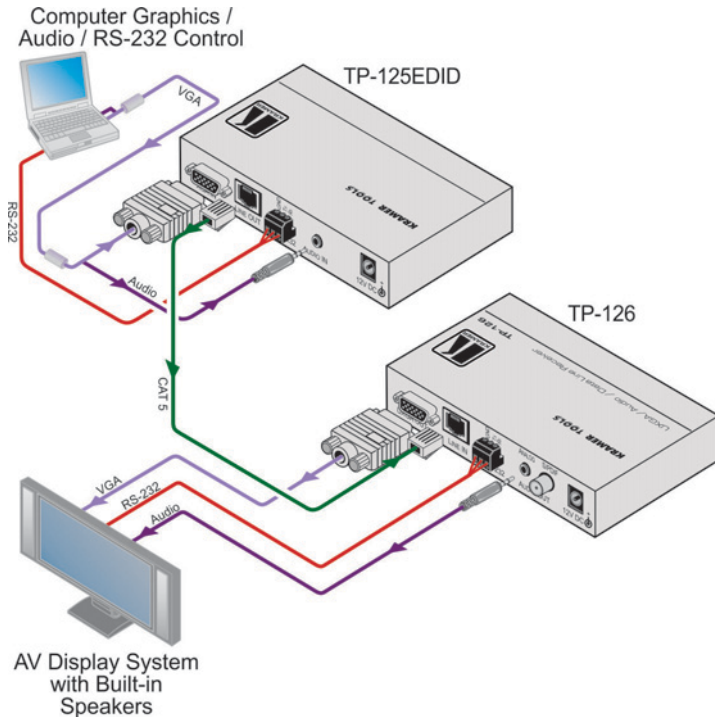


Figure 7: Connecting the TP-125EDID XGA/Audio/Data Line Transmitter

6.3 Connecting the RS-232 Port

To control an RS-232 controllable remote device from a PC or RS-232 controller, prepare an RS-232 cable with a 9-pin D-sub connector at one end, and a 3-pin terminal block connector at the other end, as shown in [Figure 8](#):

Connect this PIN on the Terminal Block Connector:	To this PIN on the 9-pin D-sub Connector
TxD	PIN 2
RxD	PIN 3
GND	PIN 5

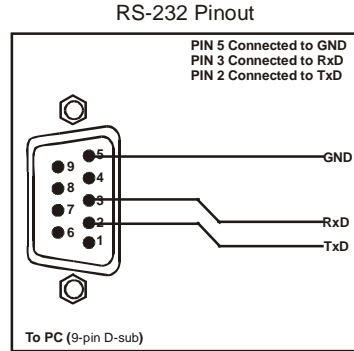


Figure 8: RS-232 PINOUT Connection

6.4 Technical Specifications – TP-125EDID

INPUTS:	Video: 1 UXGA on an 15-pin HD connector Audio: 1 audio ANALOG 3.5mm mini jack
OUTPUT:	1 RJ-45 OUT connector
RESOLUTION:	Up to WUXGA and 1080p
S/N RATIO:	Video: 58dB unweighted, 68.3dB @5MHz weighted Audio: <-80dB
CONTROL:	RS-232 3-pin terminal block
RS-232 BAUD RATE:	Up to 19200kbps
RS-232 MODE:	Full-duplex
BANDWIDTH:	Audio: 20Hz to 20kHz @0.5dB
TOTAL GAIN:	Analog/analog: 0dB, analog/SPDIF: -12dBFS
COUPLING:	AC
TND+N:	Audio: <0.01%
POWER CONSUMPTION:	12V DC 140mA
OPERATING TEMPERATURE:	0° to +40°C (32° to 104°F)
STORAGE TEMPERATURE:	-40° to +70°C (-40° to 158°F)
HUMIDITY:	10% to 90%, RHL non-condensing
DIMENSIONS:	12.1cm x 7.18cm x 2.42cm (4.76" x 2.83" x 0.95") W, D, H
WEIGHT:	0.3kg. (0.67lbs.) approx.
ACCESSORIES:	Power supply
OPTIONS:	RK-3T 19" rack adapter
All measurements are based on the transmitter/receiver pair, tested with 100m CAT 5 cable. Specifications are subject to change without notice at http://www.kramerelectronics.com	

7 Your PT-110EDID

This section describes the **PT-110EDID XGA/Line Transmitter**.

7.1 Overview

The **PT-110EDID** is a high-performance XGA line transmitter that inputs an XGA (up to WUXGA, 1080p) signal and transmits it over CAT 5 cable to a receiver (for example, the Kramer **TP-122N** XGA/Audio Line Receiver).

The **PT-110EDID** is pre-programmed with default EDID information ready for the source even before capturing the EDID from the display. When the **PT-110EDID** is connected to a display device and the EDID CAPTURE button is pressed, the **PT-110EDID** reads and stores the EDID (Extended Display Identification Data) from the display device. The display can be disconnected and later reconnected without rebooting the operating system.

The **PT-110EDID** features:

- A maximum resolution of WUXGA and 1080p
- A transmission range of more than 300ft (100m), and a 20kHz audio bandwidth with an S/N ratio that exceeds 80dB on the same transmission range
- EDID Capture that copies and stores the EDID from a display device
- The Power Connect Feature that transmits power to the receiving device, or receives power from it, over twisted pair cable
- H and V Sync polarity switches for improved display compatibility with the CAT 5 outputs
- Is 12V DC fed

[Figure 9](#) defines the **PT-110EDID**:

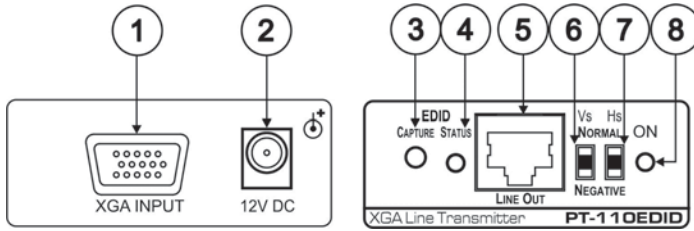


Figure 9: PT-110EDID XGA Line Transmitter

#	Feature	Function
1	XGA IN 15-pin HD (F) Connector	Connect to the UXGA source
2	12V DC	+12V DC connector for powering the unit
3	EDID CAPTURE Button	Press to acquire the EDID information from the display (see Section 9)
4	STATUS LED	Illuminates during normal operation; flashes when acquiring the EDID
5	LINE OUT RJ-45 Connector	Connects to the LINE IN RJ-45 connector on the TP-120 UXGA/Audio Line Receiver
6	VS Switch	Slide up to set the V SYNC to NEGATIVE polarity; slide down to set the V SYNC to NORMAL polarity By default, both switches are set down (for normal V SYNC and H SYNC polarity)
7	HS Switch	Slide up to set the H SYNC to NEGATIVE polarity (NEG); slide down to set the H SYNC to NORMAL polarity By default, both switches are set down (for normal V SYNC and H SYNC polarity)
8	ON LED	Illuminates when receiving power

7.2 Connecting the PT-110EDID XGA/Line Transmitter

You can use the **PT-110EDID XGA Line Transmitter** together with the **TP-120 XGA Line Receiver** to configure an XGA-to-Twisted Pair transmitter and receiver system.



Before connecting the transmitter and receiver system you can acquire the EDID from the display or set the system to the default EDID, see [Section 9](#).

To connect the **PT-110EDID** with the **TP-120**, as the example in [Figure 10](#) illustrates, do the following:

1. On the **PT-110EDID**, connect the XGA source (for example, the 15-pin HD output from a computer's graphics card) to the XGA INPUT 15-pin HD (F) connector.
2. On the **TP-120**, connect the XGA OUT 15-pin HD (F) connector to the XGA acceptor (for example, a monitor).

3. Connect the LINE OUT RJ-45 connector on the **PT-110EDID** to the LINE IN RJ-45 connector on the **TP-120**, via CAT 5 cabling.
CAT 5 cable has a range of greater than 300ft (>100m). For details of how to wire a CAT 5 LINE IN/LINE OUT RJ-45 connector, see [Section 8](#).
4. On both the **PT-110EDID** and the **TP-120**, connect the 12V DC power adapter to the power socket and connect the adapter to the mains electricity.
For distances of up to 100 meters you can connect a power adapter to either the PT-110 or TP-120. Above it, both sides should be fed with power
5. On the **TP-120**, adjust the output signal level and/or cable compensation equalization level, if required.
Use a screwdriver to carefully rotate the trimmer, adjusting the appropriate level.
6. If necessary, set the H SYNC and V SYNC switches, on the units.
By default, both switches are set for normal H SYNC and V SYNC polarity.

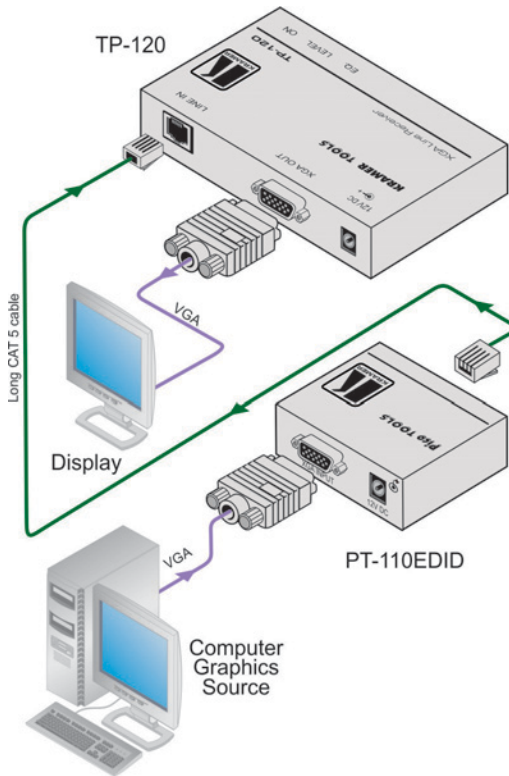


Figure 10: Connecting the PT-110EDID XGA/Line Transmitter

7.3 Technical Specifications PT-110EDID

INPUT:	1 VGA/UXGA on a 15-pin HD connector
OUTPUT:	1 RJ-45 LINE OUTPUT connector
RESOLUTION:	Up to WUXGA & 1080p
S/N RATIO:	69dB (worst case)
COUPLING:	AC
POWER CONSUMPTION:	12V DC, 320mA
OPERATING TEMPERATURE:	0° to +40°C (32° to 104°F)
STORAGE TEMPERATURE:	-40° to +70°C (-40° to 158°F)
HUMIDITY:	10% to 90%, RHL non-condensing
DIMENSIONS:	6cm x 6.5cm x 2.5cm, (2.36" x 2.56" x 1") W, D, H
WEIGHT:	0.14kg (0.31lbs) approx.
ACCESSORIES:	Power supply
OPTIONS:	RK-4PT 19" rack adapters

All measurements are based on the transmitter/receiver pair, tested with 100m CAT 5 cable.

Specifications are subject to change without notice at <http://www.kramerelectronics.com>

8 Wiring the TP LINE IN/LINE OUT RJ-45 Connectors

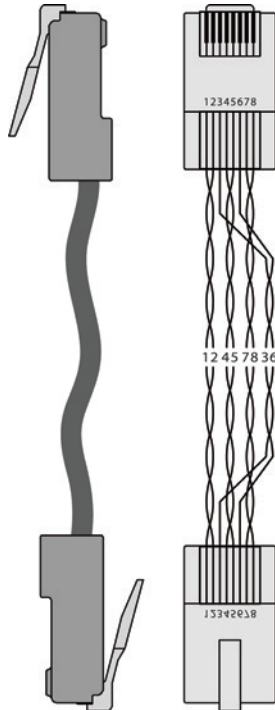
This section defines the TP pinout, using a **straight** pin-to-pin cable with RJ-45 connectors.



Note, that the cable Ground shielding must be connected / soldered to the connector shield.

EIA /TIA 568B	
PIN	Wire Color
1	Orange / White
2	Orange
3	Green / White
4	Blue
5	Blue / White
6	Green
7	Brown / White
8	Brown

Figure 11: TP PINOUT



9 Acquiring the EDID

The transmitter can acquire the EDID information from the connected display or it can acquire the default EDID.

To acquire the display EDID, do the following:

1. Using a short cable, connect the XGA INPUT 15-pin HD connector of the transmitter to the XGA input connector of the display.



Pins 12 and 15 of the VGA connector carry the EDID signal.
The cable used for capturing the EDID must pass all 15 pins.

2. Connect the display power.
3. On the transmitter, connect the 12V DC power adapter to the power socket and connect the adapter to the mains electricity.
4. Press the EDID CAPTURE button.
5. Once the EDID STATUS flashes slowly several times, the EDID is captured.
6. Disconnect the display.

To acquire the default EDID:

Do not connect the transmitter to the display when acquiring the default EDID.

1. On the transmitter, connect the 12V DC power adapter to the power socket and connect the adapter to the mains electricity.
2. Press the EDID CAPTURE button.
3. Once the EDID STATUS flashes rapidly several times, the default EDID is captured.

Alternatively, you can press the EDID CAPTURE button after connecting the transmitter-receiver system. When the EDID STATUS LED flashes rapidly several times, the default EDID information is acquired.

LIMITED WARRANTY

The warranty obligations of Kramer Electronics for this product are limited to the terms set forth below:

What is Covered

This limited warranty covers defects in materials and workmanship in this product.

What is Not Covered

This limited warranty does not cover any damage, deterioration or malfunction resulting from any alteration, modification, improper or unreasonable use or maintenance, misuse, abuse, accident, neglect, exposure to excess moisture, fire, improper packing and shipping (such claims must be presented to the carrier), lightning, power surges, or other acts of nature. This limited warranty does not cover any damage, deterioration or malfunction resulting from the installation or removal of this product from any installation, any unauthorized tampering with this product, any repairs attempted by anyone unauthorized by Kramer Electronics to make such repairs, or any other cause which does not relate directly to a defect in materials and/or workmanship of this product. This limited warranty does not cover cartons, equipment enclosures, cables or accessories used in conjunction with this product.

Without limiting any other exclusion herein, Kramer Electronics does not warrant that the product covered hereby, including, without limitation, the technology and/or integrated circuit(s) included in the product, will not become obsolete or that such items are or will remain compatible with any other product or technology with which the product may be used.

How Long Does this Coverage Last

Seven years as of this printing; please check our Web site for the most current and accurate warranty information.

Who is Covered

Only the original purchaser of this product is covered under this limited warranty. This limited warranty is not transferable to subsequent purchasers or owners of this product.

What Kramer Electronics will do

Kramer Electronics will, at its sole option, provide one of the following three remedies to whatever extent it shall deem necessary to satisfy a proper claim under this limited warranty:

1. Elect to repair or facilitate the repair of any defective parts within a reasonable period of time, free of any charge for the necessary parts and labor to complete the repair and restore this product to its proper operating condition. Kramer Electronics will also pay the shipping costs necessary to return this product once the repair is complete.
2. Replace this product with a direct replacement or with a similar product deemed by Kramer Electronics to perform substantially the same function as the original product.
3. Issue a refund of the original purchase price less depreciation to be determined based on the age of the product at the time remedy is sought under this limited warranty.

What Kramer Electronics will not do Under This Limited Warranty

If this product is returned to Kramer Electronics or the authorized dealer from which it was purchased or any other party authorized to repair Kramer Electronics products, this product must be insured during shipment, with the insurance and shipping charges prepaid by you. If this product is returned uninsured, you assume all risks of loss or damage during shipment. Kramer Electronics will not be responsible for any costs related to the removal or re-installation of this product from or into any installation. Kramer Electronics will not be responsible for any costs related to any setting up this product, any adjustment of user controls or any programming required for a specific installation of this product.

How to Obtain a Remedy under this Limited Warranty

To obtain a remedy under this limited warranty, you must contact either the authorized Kramer Electronics reseller from whom you purchased this product or the Kramer Electronics office nearest you. For a list of authorized Kramer Electronics resellers and/or Kramer Electronics authorized service providers, please visit our web site at www.kramerelectronics.com or contact the Kramer Electronics office nearest you.

In order to pursue any remedy under this limited warranty, you must possess an original, dated receipt as proof of purchase from an authorized Kramer Electronics reseller. If this product is returned under this limited warranty, a return authorization number, obtained from Kramer Electronics, will be required. You may also be directed to an authorized reseller or a person authorized by Kramer Electronics to repair the product.

If it is decided that this product should be returned directly to Kramer Electronics, this product should be properly packed, preferably in the original carton, for shipping. Cartons not bearing a return authorization number will be refused.

Limitation on Liability

THE MAXIMUM LIABILITY OF KRAMER ELECTRONICS UNDER THIS LIMITED WARRANTY SHALL NOT EXCEED THE ACTUAL PURCHASE PRICE PAID FOR THE PRODUCT. TO THE MAXIMUM EXTENT PERMITTED BY LAW, KRAMER ELECTRONICS IS NOT RESPONSIBLE FOR DIRECT, SPECIAL, INCIDENTAL OR CONSEQUENTIAL DAMAGES RESULTING FROM ANY BREACH OF WARRANTY OR CONDITION, OR UNDER ANY OTHER LEGAL THEORY. Some countries, districts or states do not allow the exclusion or limitation of relief, special, incidental, consequential or indirect damages, or the limitation of liability to specified amounts, so the above limitations or exclusions may not apply to you.

Exclusive Remedy

TO THE MAXIMUM EXTENT PERMITTED BY LAW, THIS LIMITED WARRANTY AND THE REMEDIES SET FORTH ABOVE ARE EXCLUSIVE AND IN LIEU OF ALL OTHER WARRANTIES, REMEDIES AND CONDITIONS, WHETHER ORAL OR WRITTEN, EXPRESS OR IMPLIED. TO THE MAXIMUM EXTENT PERMITTED BY LAW, KRAMER ELECTRONICS SPECIFICALLY DISCLAIMS ANY AND ALL IMPLIED WARRANTIES, INCLUDING, WITHOUT LIMITATION, WARRANTIES OF MERCHANTABILITY AND FITNESS FOR A PARTICULAR PURPOSE. IF KRAMER ELECTRONICS CANNOT LAWFULLY DISCLAIM OR EXCLUDE IMPLIED WARRANTIES UNDER APPLICABLE LAW, THEN ALL IMPLIED WARRANTIES COVERING THIS PRODUCT, INCLUDING WARRANTIES OF MERCHANTABILITY AND FITNESS FOR A PARTICULAR PURPOSE, SHALL APPLY TO THIS PRODUCT AS PROVIDED UNDER APPLICABLE LAW.

IF ANY PRODUCT TO WHICH THIS LIMITED WARRANTY APPLIES IS A "CONSUMER PRODUCT" UNDER THE MAGNUSON-MOSS WARRANTY ACT (15 U.S.C.A. §2301, ET SEQ.) OR OTHER APPLICABLE LAW, THE FOREGOING DISCLAIMER OF IMPLIED WARRANTIES SHALL NOT APPLY TO YOU, AND ALL IMPLIED WARRANTIES ON THIS PRODUCT, INCLUDING WARRANTIES OF MERCHANTABILITY AND FITNESS FOR THE PARTICULAR PURPOSE, SHALL APPLY AS PROVIDED UNDER APPLICABLE LAW.

Other Conditions

This limited warranty gives you specific legal rights, and you may have other rights which vary from country to country or state to state.

This limited warranty is void if (i) the label bearing the serial number of this product has been removed or defaced, (ii) the product is not distributed by Kramer Electronics or (iii) this product is not purchased from an authorized Kramer Electronics reseller. If you are unsure whether a reseller is an authorized Kramer Electronics reseller, please visit our Web site at www.kramerelectronics.com or contact a Kramer Electronics office from the list at the end of this document.

Your rights under this limited warranty are not diminished if you do not complete and return the product registration form or complete and submit the online product registration form. Kramer Electronics thanks you for purchasing a Kramer Electronics product. We hope it will give you years of satisfaction.



For the latest information on our products and a list of Kramer distributors, visit our Web site where updates to this user manual may be found.

We welcome your questions, comments, and feedback.

Web site: www.kramerelectronics.com

E-mail: info@kramerel.com

CE



SAFETY WARNING

Disconnect the unit from the power supply before opening and servicing



PN: 2900-000585



Rev: 6