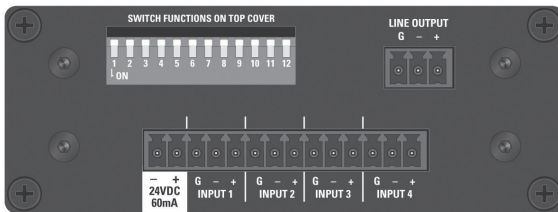




TSD-MIX41
4x1 Mic/Line Mixer



1601 Jack McKay Blvd. • Ennis, Texas 75119 U.S.A.
Telephone: 800.876.3333 • Fax: 800.765.3435

Description

The AtlasIED TSD-MIX41 4x1 mic/line mixer is ideal for applications where multiple mic or line sources need to be sub mixed or summed. In House of Worship applications the TSD-MIX41 is especially useful for combining similar sources such as choir microphones to a single mixer channel. The unit also works well as a stand-alone mic/line mixer that can be easily interfaced with AtlasIED amplifiers. Other applications include restaurants, conference rooms, and schools.

Each input is mic/line switchable with phantom power provided for condenser microphones. The high quality, low noise internal mic preamps ensure clarity and quiet operation without unwanted coloration. A 12dB/octave high pass filter @ 125Hz also is available on each input to minimize bass rumble and low frequency feedback.

The TSD-MIX41 is part of a full line of AtlasIED Time Saving Devices. These compact (1.5" x 4" x 2.75") units are designed to solve some of the common audio system problems in the easiest and in the most efficient and cost-effective way. All models are made from high quality components and include removable individual I/O connectors for quick and precise wiring, separate ground terminals for all I/Os assuring secured connections, and removable level controls that can be replaced with tamper-proof security covers. The TSDs are highly efficient and meet Energy Star™ standards as one 24V DC power supply (available separately) can power multiple Atlas Time Saving Devices.

Features

- Four (4) Balanced Mic/Line Inputs
- Four (4) Professional Grade Microphone Preamps with Switchable 24V Phantom Power
- Up to 50dB Mic Gain Per Input
- 12dB/Octave Low Cut Filter @ 125Hz
- Balanced Line Output
- Input Peak & Signal Indicator LEDs
- High Gain Output for Driving Long Balanced Lines
- Separate Ground Connections
- Removable Phoenix Style I/O Connectors
- Security Covers Included for All Front Panel Controls
- Meets Energy Star™ Standards
- Compact Chassis Design

Audio Applications

- Mic Preamp
- Line Preamp
- Line Drive
- Choirs

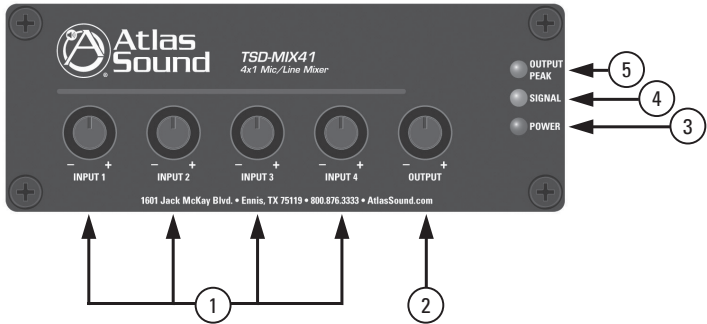
Installation

- Churches
- Restaurants
- Sports Bars
- Schools
- Industrial Facilities
- House of Worship



1601 Jack McKay Blvd. • Ennis, Texas 75119 U.S.A.
Telephone: 800.876.3333 • Fax: 800.765.3435

Front Panel Description

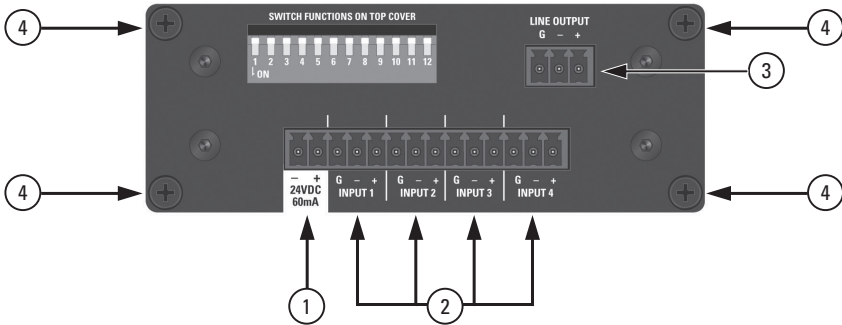


- Inputs 1-4 Level Controls** - Adjusts the gain of the independent input signals. Turn clockwise to increase the signal level and counter-clockwise to decrease it. **Note:** The Input Level Control knobs can be removed and replaced with a supplied security cover to prevent unauthorized adjustment.
- Mixed Output Level Control** - Adjust the output level of the summed signals from the four inputs. Turn clockwise to increase the signal level and counter-clockwise to decrease it. **Note:** The output level control knobs can be removed and replaced with supplied security covers to prevent unauthorized adjustment.
- Power LED** - Illuminates BLUE when 24VDC power is present.
- Output Signal LED** - Illuminates Green when the input signal strength reaches 25mV to verify a signal path. **Note:** The LED will not illuminate if the output Level is turned Off.
- Output Peak LED** - Illuminates Red when the output signal reaches 3dBV below when signal clipping will occur. Occasional flashing is normal but if this indicator is continuously On, then reduce the input level using the input level control on the front panel.



1601 Jack McKay Blvd. • Ennis, Texas 75119 U.S.A.
Telephone: 800.876.3333 • Fax: 800.765.3435

Rear Panel Description



TSD Input/Output connections are removable for easy system wiring. The connector has a 3.5mm pitch between pins.

1. **DC Power Input** - Each TSD that requires DC power comes with a 2 position connector for an external 24VDC power supply (sold separately). Because of the TSD's low power consumption, a single external power supply may power more than one TSD. Please refer to the specifications on current requirements in milliamps to match with the appropriate power supply. **Note:** It is acceptable to exceed the current requirements of the TSDs but NOT safe to use a power supply that is below the current requirement of the device.
2. **Balanced Inputs 1-4** - Connects to balanced line or mic level sources. Your connection must be mated properly to the input connector or signal loss and/or noise may occur. For gain or source input type selection, refer to the "Dip Switch Function Identification" chart for proper input setting. **Note:** Unbalanced line level inputs can be inserted with proper wire configuration by connecting the (G) and (-) terminals together.
3. **Balanced Line Output** - Provides output when an input signal is present for connection to balanced line level devices. Your output connections must be connected properly to the connectors or loss and/or noise may be introduced into the signal. **Note:** Unbalanced line level devices can be used with proper wire configuration by connecting the (G) and (-) terminals together.
4. **Cable Management Retainer Points** - Each TSD includes two cable retainer straps for securing the included cable management retainers. Remove one of the rear panel screws, align the panel hole with a retainer and firmly tighten the screws.



1601 Jack McKay Blvd. • Ennis, Texas 75119 U.S.A.
Telephone: 800.876.3333 • Fax: 800.765.3435

Dip Switch Function Identification

SWITCH FUNCTIONS

1	2	3	4	5	6	7	8	9	10	11	12
PHANTOM				INPUT 1	INPUT 2	INPUT 3	INPUT 4	LOW CUT 125Hz/12dB			
INPUT 1	INPUT 2	INPUT 3	INPUT 4					INPUT 1	INPUT 2	INPUT 3	INPUT 4
OFF	OFF	OFF	OFF	LINE	LINE	LINE	LINE	OFF	OFF	OFF	OFF
ON	ON	ON	ON	MIC	MIC	MIC	MIC	ON	ON	ON	ON

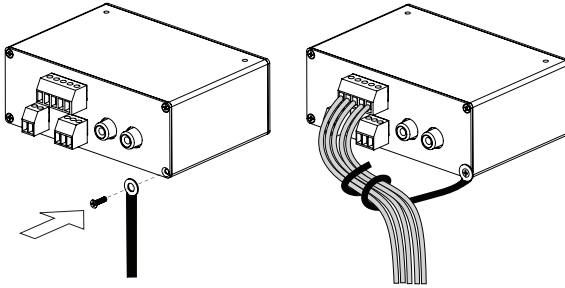
Switch Position

- DIP SW # 1,2,3,4 - 24VDC Phantom Power applies power for condenser mic operation to corresponding input terminal. Down position is On.
- DIP SW # 5,6,7,8 - Input Mic or Line Select for input gain selection for each of the inputs. Up position is Line, down position is Microphone.
- DIP SW # 9,10, 11, 12 - Low Cut Filter engages at 125Hz with a roll off rate of 12dB per octave. This filter operates either in the Line or Mic mode and is available on each input. Ideal for vocal microphones to reduce low frequency energy and to increase intelligibility. Down position is On.



1601 Jack McKay Blvd. • Ennis, Texas 75119 U.S.A.
Telephone: 800.876.3333 • Fax: 800.765.3435

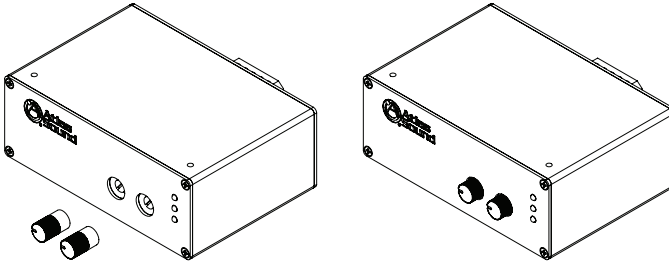
Cable Management



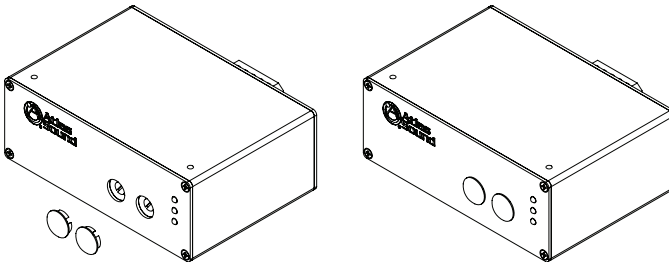
Knob and Security Cover

All front panel level controls feature a removable knob that can be replaced with an included security cover. Follow these steps to prevent potentiometer damage or unwanted changes.

1. Knob Installation - Turn the potentiometer shaft fully counter-clockwise. Align the knob indicator to the lowest setting on the panel and the potentiometer shaft slot. Carefully press the knob onto the potentiometer shaft. Do not force or damage may occur to the potentiometer.



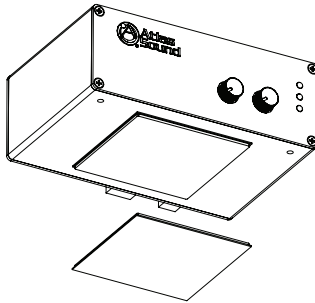
2. Security Cover Installation - Remove the knob from the panel and insert the cover. Small pliers may be required to remove the knobs. Align the security cover to the level control panel hole. Push the cover into the hole until it snaps into place. Do not force or damage may occur to the potentiometer.



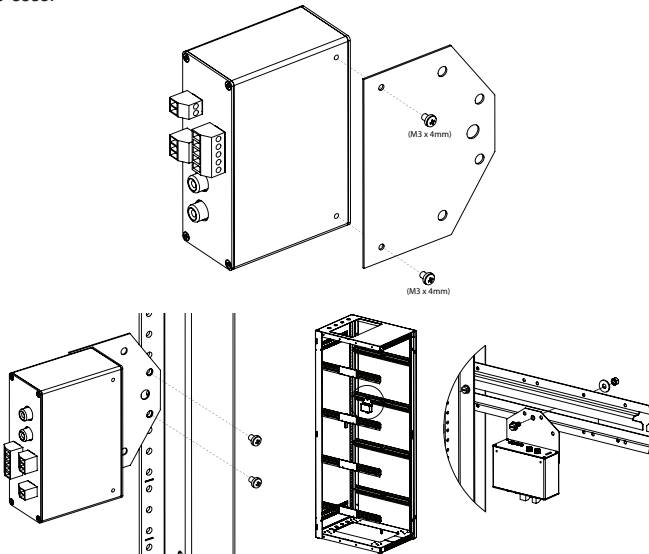
Mounting

Listed below are the ways to mount the TSD and the optional accessories that can be purchased.

1. Velcro™ - Each unit includes two 2" x 2" pieces of industrial-grade Velcro™ with adhesive backing to adhere to any flat surface. Clean all surfaces before applying the adhesive side of the Velcro™.



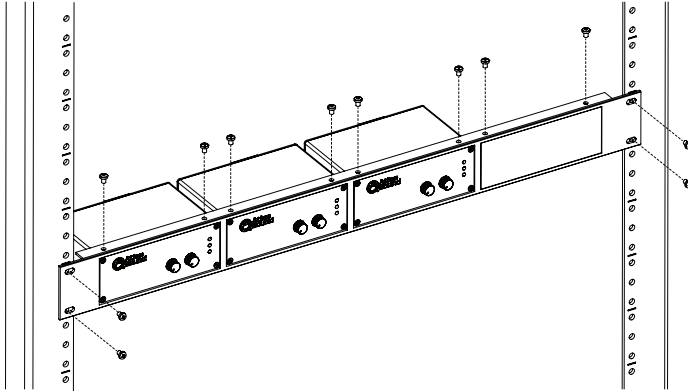
2. Multi Mount Plate - Each TSD includes a versatile multi-position mounting plate. This plate allows the TSD to be mounted to any surface; but is ideal for use with rear rack rails or side rack hat channels. Use the included M3 x 4mm screws to install the plate on the TSD. **Note:** Only use the included M3 x 4mm screws as other screws may be too long and will cause internal damage to the TSD. The multi-position mounting plate is a new addition being included with TSDs. If the TSD being used did not include the mounting plate, contact AtlasIED customer service at 1-800-876-3333.



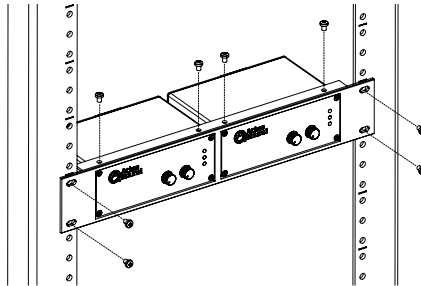
1601 Jack McKay Blvd. • Ennis, Texas 75119 U.S.A.
Telephone: 800.876.3333 • Fax: 800.765.3435

Optional Mounting Accessories

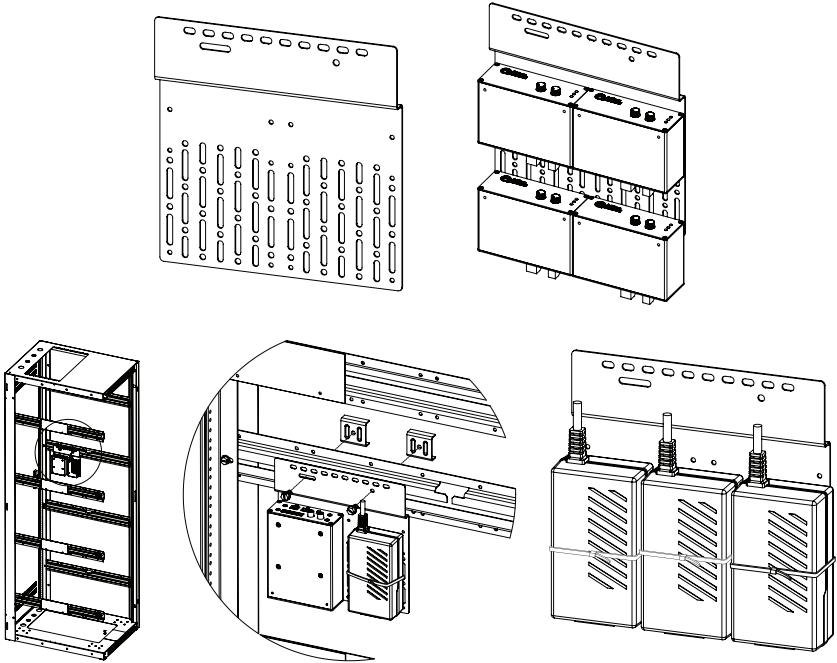
1. TSD-RMK 19" Width Rack Mount Kit - For 19" rack mounting, AtlasIED offers an optional rack mount kit, the TSD-RMK. This rack mount kit can support up to four TSD units. The kit includes three blank panels designed to fill any unused slots. Use the included hardware to mount the TSD into the rack mount kit using the top mount screw holes on the TSD.



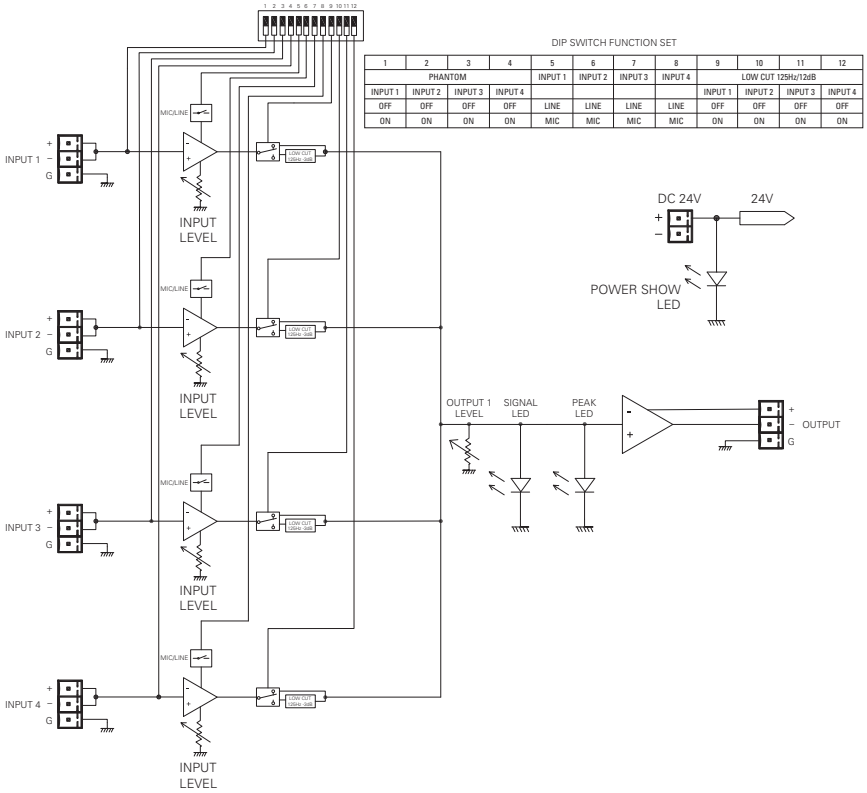
2. TSD-RMKHR Half Width Rack Mount Kit - AtlasIED offers an optional rack mount kit that can be used in half width rack applications including the AtlasIED WMA-HR and AWR-HR models. The TSD-RMKHR can support up to two TSDs. Included is an extra blank panel to fill one of the spaces if only one TSD is being used.



3. TSD-RRMK Rear Rack Mounting Kit - For complete flexibility in mounting a TSD or TSD external power supplies the optional TSD-RRMK is available. The TSD-RRMK can support mounting of either two larger TSDs with external power supplies or up to 4 TSD models. **Note:** Only use the included M3 x 4mm screws as other screws may be too long and will cause internal damage to the TSD.



Block Diagram



Specifications

Description 4 x 1 Mic/Line Mixer
 Chassis Color Black
 Chassis Material Aluminum

Inputs

Type Qty 4, Balanced Mic or Line Selectable
 Connection Removable 3 Position Captive Screw 3.5mm Spacing
 Impedance 1.2KΩ Balanced, 600Ω Unbalanced
 Phantom 24VDC Defeatable
 Low Cut Filter 125Hz/12dB Defeatable



1601 Jack McKay Blvd. • Ennis, Texas 75119 U.S.A.
 Telephone: 800.876.3333 • Fax: 800.765.3435

Line Input Level	1V (0dBV) Balanced = 2V (+6dBV) Balanced Output, Maximum Input 6V (+15dBV)
Mic Input Level	46dB Gain, 10mV (-40dB) Balanced = 2V (+6dBV) Balanced Output, Maximum Input 40mV (-27dBV)

Outputs

Type	Qty 1, Balanced Line
Connection	Removable 3 Position Captive Screw 3.5mm Spacing
Impedance	300Ω Balanced, 150Ω Unbalanced
Line Output Level	1V (0dBV) In = 2V (+6dBV), Maximum Output 6V (15dBV)

Controls

Input Level Control	Qty 4, Removable Knobs with Security Covers
Output Level Control	Qty 1, Removable Knob with Security Cover
Dip Switch Function	<ul style="list-style-type: none"> • Phantom Power 24VDC, Qty 4 • Input Mic/Line Select, Qty 4 • Input 125Hz/12dB High Pass Filter, Qty 4

Indicators

Output Signal	Green, 25mV On Threshold
Output Peak	Red, -3dB Before Clip
Power	Blue

Electrical

Frequency Response	20Hz - 20kHz (±1dB)
THD	.06% & 1kHz
Signal to Noise	Line to Line: 85dBV Mic to Line: 78dBV

Power Requirements

Voltage	24VDC
Power Consumption	60mA
Power Consumption	1.4W
Dimensions	H 1.5" (39mm) x W 4" (101mm) x D 2.75" (70mm)
Weight	6oz, .165kg

Included Accessories

Velcro™	Industrial-Grade
Multi-Mount Plate	Qty 1, Includes Two (2) M3 x 4mm Screws
Cable Retainers	Qty 2
Level Control Knobs	Qty 5
Level Control Security Covers	Qty 5

Optional Accessories

TSD 24VDC	Power Supply
TSD-RMK	1 RU 19" Width Rack Mount Panel (Supports 4 TSD Units)
TSD-RMKHR	1 RU Half Rack Width Panel (Supports 2 TSD Units)
TSD-RRMK	Rear Rack Mounting Kit

Safety and Certifications

External Power Supply	cUL, CE, RoHS, TUV
-----------------------	--------------------



1601 Jack McKay Blvd. • Ennis, Texas 75119 U.S.A.
Telephone: 800.876.3333 • Fax: 800.765.3435

Limited Warranty

All products manufactured by AtlasIED are warranted to the original dealer/installer, industrial or commercial purchaser to be free from defects in material and workmanship and to be in compliance with our published specifications, if any. This warranty shall extend from the date of purchase for a period of three years on all AtlasIED products, including SOUNDOLIER brand, and ATLAS SOUND brand products except as follows: one year on electronics and control systems; one year on replacement parts; and one year on Musician Series stands and related accessories. Additionally, fuses and lamps carry no warranty. AtlasIED will solely at its discretion, replace at no charge or repair free of charge defective parts or products when the product has been applied and used in accordance with our published operation and installation instructions. We will not be responsible for defects caused by improper storage, misuse (including failure to provide reasonable and necessary maintenance), accident, abnormal atmospheres, water immersion, lightning discharge, or malfunctions when products have been modified or operated in excess of rated power, altered, serviced or installed in other than a workman like manner. The original sales invoice should be retained as evidence of purchase under the terms of this warranty. All warranty returns must comply with our returns policy set forth below. When products returned to AtlasIED do not qualify for repair or replacement under our warranty, repairs may be performed at prevailing costs for material and labor unless there is included with the returned product(s) a written request for an estimate of repair costs before any nonwarranty work is performed. In the event of replacement or upon completion of repairs, return shipment will be made with the transportation charges collect.

EXCEPT TO THE EXTENT THAT APPLICABLE LAW PREVENTS THE LIMITATION OF CONSEQUENTIAL DAMAGES FOR PERSONAL INJURY, ATLASIED SHALL NOT BE LIABLE IN TORT OR CONTRACT FOR ANY DIRECT, CONSEQUENTIAL OR INCIDENTAL LOSS OR DAMAGE ARISING OUT OF THE INSTALLATION, USE OR INABILITY TO USE THE PRODUCTS. THE ABOVE WARRANTY IS IN LIEU OF ALL OTHER WARRANTIES INCLUDING BUT NOT LIMITED TO WARRANTIES OF MERCHANTABILITY AND FITNESS FOR A PARTICULAR PURPOSE.

AtlasIED does not assume, or does it authorize any other person to assume or extend on its behalf, any other warranty, obligation, or liability. This warranty gives you specific legal rights and you may have other rights which vary from state to state.

Service

Should your Atlas TSD require service, please contact the AtlasIED warranty department at 1-877-689-8055, ext. 277 to obtain an RA number.

AtlasIED Tech Support can be reached at 1-800-876-3333 or support.atlasied.com.

Visit our website at www.AtlasIED.com to see other Atlas products.

©2017 Atlas Sound L.P. The Atlas "Circle A", Soundolier, and Atlas Sound are trademarks of Atlas Sound L.P.

IED is a registered trademark of Innovative Electronic Designs LLC. All Rights Reserved.

All other trademarks are the property of their respective owners. All specs are subject to change without notice. ATS003942 RevC 4/17



1601 Jack McKay Blvd. • Ennis, Texas 75119 U.S.A.
Telephone: 800.876.3333 • Fax: 800.765.3435