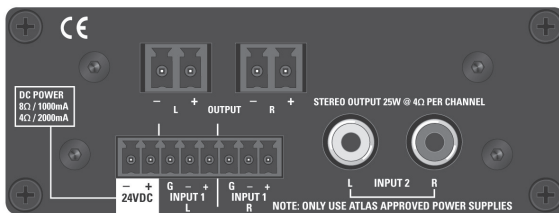




**TSD-PA252G**  
**2x25W Global Audio Amplifier**



1601 Jack McKay Blvd. • Ennis, Texas 75119 U.S.A.  
Telephone: 800.876.3333 • Fax: 800.765.3435

## Description

The AtlasIED TSD-PA252G is a reliable, cost-effective stereo amplifier perfectly suited for almost any general amplification requirement. The unit is especially suited for adding sound reinforcement to small projector systems as it provides ample power to drive up to four 8Ω loudspeakers in a classroom or boardroom application.

The TSD-PA252G features a balanced stereo phoenix style connector and unbalanced RCA input options with an output of 25W per channel at 4Ω. Front panel gain controls provide adjustment for both left/right or bridged outputs and these removable knobs can easily be replaced with the included tamper-resistant security covers.

The TSD-PA252G is part of a full line of AtlasIED Time Saving Devices. These compact (1.5" x 4" x 5.2") units are designed to solve some of the common audio system problems in the easiest, most efficient, and cost-effective way. All models are made from high quality components and include removable individual I/O connectors for quick and precise wiring, separate ground terminals for all I/Os assuring secured connections, and removable level controls that can be replaced with tamper-resistant security covers. The TSDs are highly efficient and meet most energy standards as one 24V DC power supply (available separately) can power multiple Atlas Time Saving Devices.

## Features

- 25W per Channel into 4Ω
- 12W per Channel into 8Ω
- Two (2) Balanced Inputs
- Dual RCA Inputs
- Removable Level Controls with Set-It-And-Forget-It Security Covers
- Peak Indicator per Channel
- Input Signal Indicator per Channel
- Cable Management System
- Multiple Mounting Configurations
- Separate Ground Connections
- Removable Phoenix Style I/O Connectors
- Meets Most Energy Standards
- Compact Chassis Design

## Audio Applications

- Projector Amplifier
- Zone Amplifier
- Rear Channel Amplifier

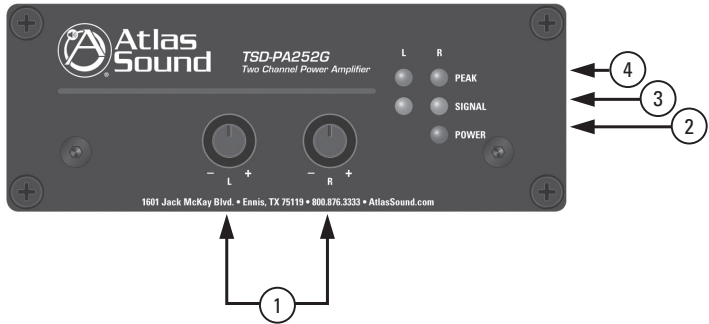
## Installation

- Courtroom
- Public Forums
- Churches
- Restaurants
- Schools
- Industrial Facilities
- House of Worship



1601 Jack McKay Blvd. • Ennis, Texas 75119 U.S.A.  
Telephone: 800.876.3333 • Fax: 800.765.3435

### Front Panel Description

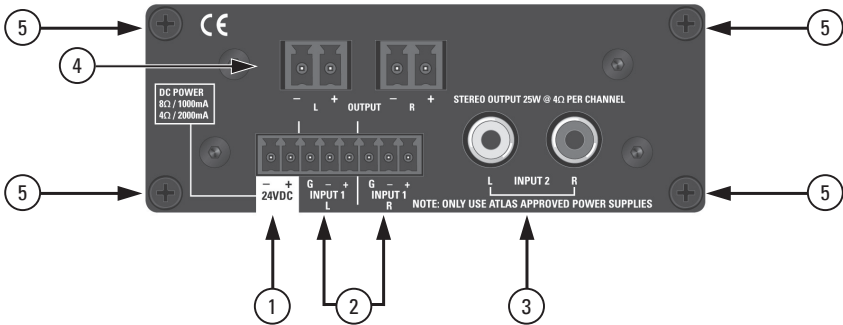


1. **Input Level Controls L & R** - Adjusts the gain of the source audio signal of both the left and right channels. Turn clockwise to increase the signal level and counter-clockwise to decrease the level. When in Bridge Mode, the Left Input control adjusts the audio level at the speakers. **Note:** The Input Level Control knobs can be removed and replaced with a supplied security cover to prevent unauthorized adjustment.
2. **Power LED** - Illuminates Blue when 24VDC power is present.
3. **Signal LED** - Illuminates Green when the input signal strength reaches 25mV to verify a signal path. There is an LED for each channel.
4. **Peak LED** - Illuminates Red when the input signal reaches 3dBV below when signal clipping will occur. Occasional flashing is normal but if this indicator is continuously On, then reduce the input level using the input level control on the front panel. There is an LED for each channel.



1601 Jack McKay Blvd. • Ennis, Texas 75119 U.S.A.  
Telephone: 800.876.3333 • Fax: 800.765.3435

## Rear Panel Description



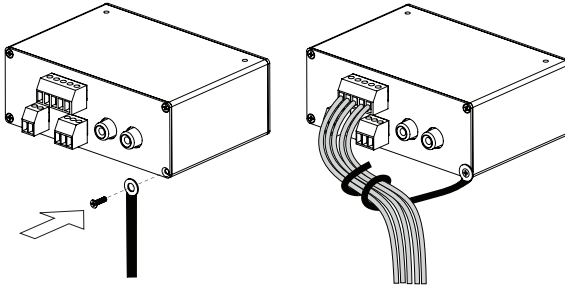
TSD Input/Output connections are removable for easy system wiring. The connectors have a 3.5mm pitch between pins.

- DC Power Input** - Each TSD that requires DC power comes with a 2 position connector for an external 24VDC power supply (sold separately). Because of the TSDs low power consumption, a single external power supply may power more than one TSD. Please refer to the specifications on current requirements in milliamps to match with the appropriate power supply. Please observe the polarity of the wiring to this connector. **Note:** It is acceptable to exceed the current requirements of the TSDs but NOT safe to use a power supply that is below the current requirement of the device. When using an 8Ω speaker load, use a power supply with 1000mA capacity. For 4Ω speaker loads, use a power supply with at least 2000mA capacity (Atlas TSD-PS24V2500MA).
- Balanced Line Inputs L & R** - Connect balanced line level signals to these left and right phoenix style connectors. Your connection must be mated properly to the input connector or signal loss and/or noise may occur. **Note:** Unbalanced line level inputs can also be used by connecting the (G) and (-) terminals together.
- RCA Inputs L & R** - Unbalanced audio signals applied to these female RCA connectors are controlled from the front panel L & R control knobs.
- Speaker Outputs L & R** - Connect the loudspeaker wiring to these terminals, observing the polarity shown on the rear of the chassis. When in stereo mode, a polarity reversal on one channel will cause poor bass response and low output levels. In Bridged Mode, connect the 8Ω speaker load across the left speaker output (+) terminal and the right (+) speaker output terminal. The Left speaker output terminal is positive (+) in Bridged configuration. **Note:** The Bridge Mode speaker wiring configuration differs from other AtlasIED TSDs. Check each model's manual for specific wiring instructions.
- Cable Management Retainer Points** - Each TSD includes two cable retainer straps for securing the included cable management retainers. Remove one of the rear panel screws, align the panel hole with a retainer and firmly tighten the screws.



1601 Jack McKay Blvd. • Ennis, Texas 75119 U.S.A.  
Telephone: 800.876.3333 • Fax: 800.765.3435

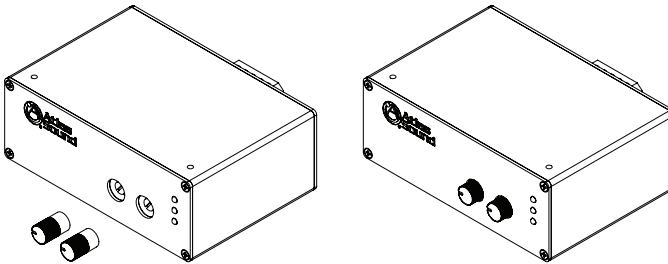
## Cable Management



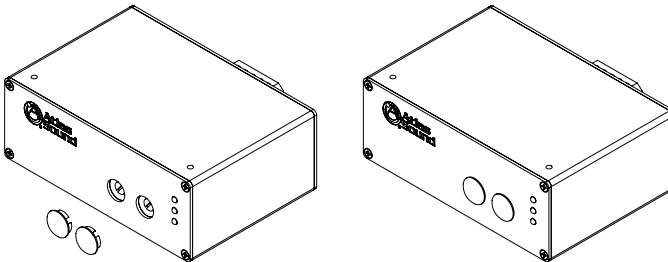
## Knob and Security Cover

All front panel level controls feature a removable knob that can be replaced with an included security cover. Follow these steps to prevent potentiometer damage or unwanted changes.

1. Knob Installation - Turn the potentiometer shaft fully counter-clockwise. Align the knob indicator to the lowest setting on the panel and the potentiometer shaft slot. Carefully press the knob onto the potentiometer shaft. Do not force or damage may occur to the potentiometer.



2. Security Cover Installation - Remove the knob from the panel and insert the cover. Small pliers may be required to remove the knobs. Align the security cover to the level control panel hole. Push the cover into the hole until it snaps into place. Do not force or damage may occur to the potentiometer.

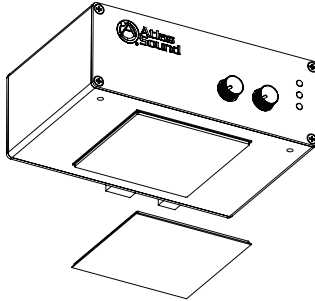


1601 Jack McKay Blvd. • Ennis, Texas 75119 U.S.A.  
Telephone: 800.876.3333 • Fax: 800.765.3435

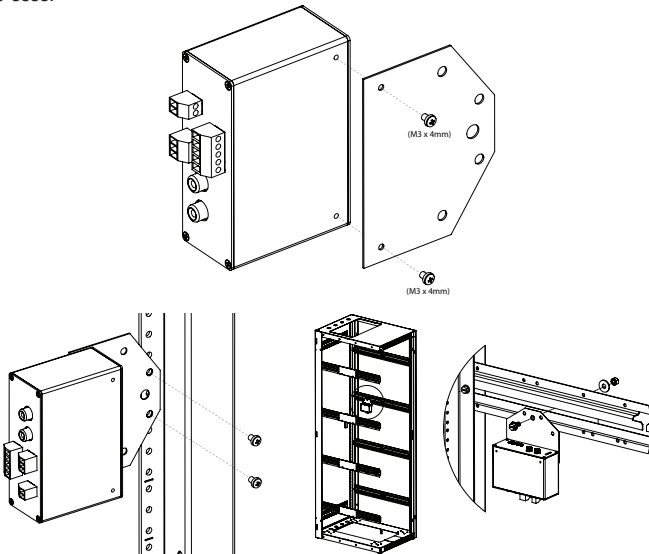
## Mounting

Listed below are the ways to mount the TSD and the optional accessories that can be purchased.

1. Velcro™ - Each unit includes two 2" x 2" pieces of industrial-grade Velcro™ with adhesive backing to adhere to any flat surface. Clean all surfaces before applying the adhesive side of the Velcro™.



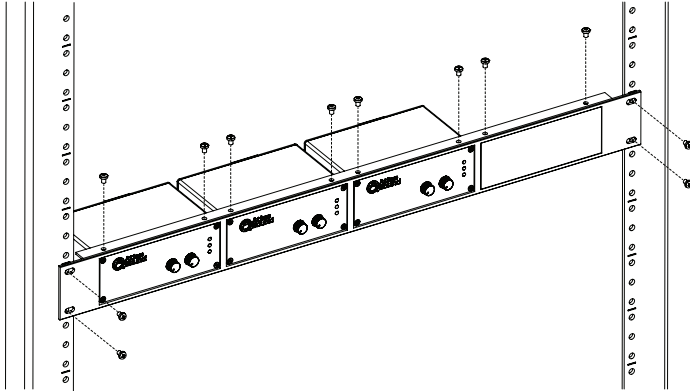
2. Multi Mount Plate - Each TSD includes a versatile multi-position mounting plate. This plate allows the TSD to be mounted to any surface; but is ideal for use with rear rack rails or side rack hat channels. Use the included M3 x 4mm screws to install the plate on the TSD. **Note:** Only use the included M3 x 4mm screws as other screws may be too long and will cause internal damage to the TSD. The multi-position mounting plate is a new addition being included with TSDs. If the TSD being used did not include the mounting plate, contact AtlasIED customer service at 1-800-876-3333.



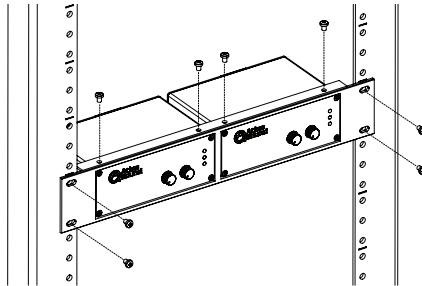
1601 Jack McKay Blvd. • Ennis, Texas 75119 U.S.A.  
Telephone: 800.876.3333 • Fax: 800.765.3435

**Optional Mounting Accessories**

1. TSD-RMK 19" Width Rack Mount Kit - For 19" rack mounting, AtlasIED offers an optional rack mount kit, the TSD-RMK. This rack mount kit can support up to four TSD units. The kit includes three blank panels designed to fill any unused slots. Use the included hardware to mount the TSD into the rack mount kit using the top mount screw holes on the TSD.

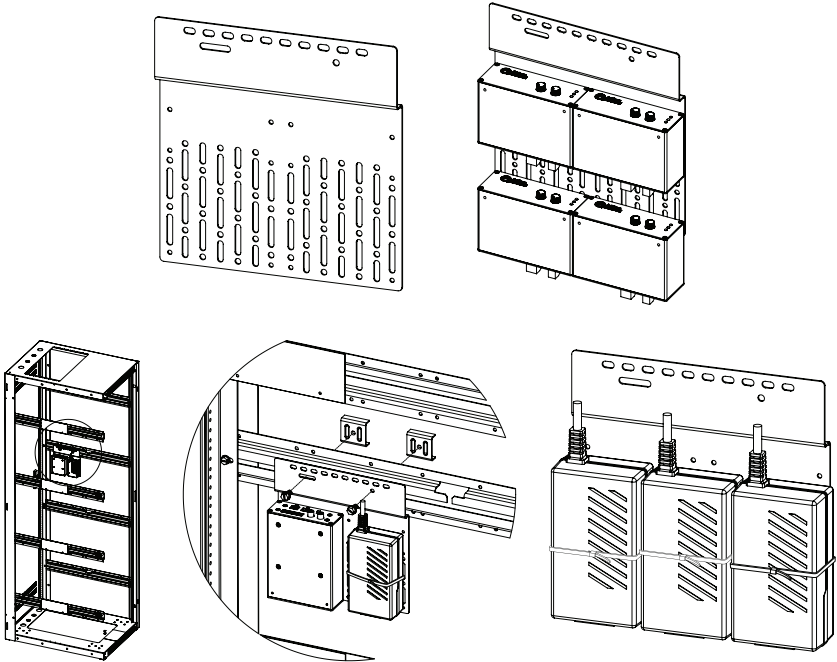


2. TSD-RMKHR Half Width Rack Mount Kit - AtlasIED offers an optional rack mount kit that can be used in half width rack applications including the AtlasIED WMA-HR and AWR-HR models. The TSD-RMKHR can support up to two TSDs. Included is an extra blank panel to fill one of the spaces if only one TSD is being used.



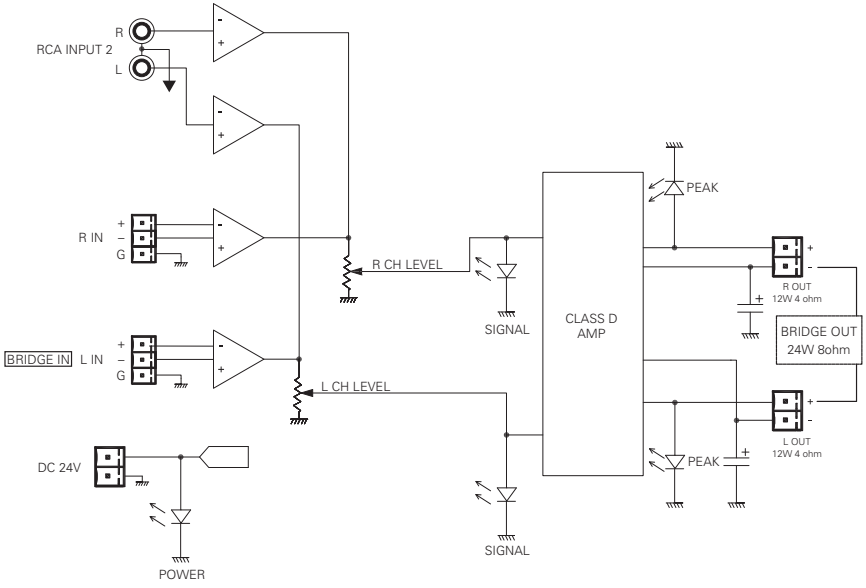
1601 Jack McKay Blvd. • Ennis, Texas 75119 U.S.A.  
Telephone: 800.876.3333 • Fax: 800.765.3435

3. TSD-RRMK Rear Rack Mounting Kit - For complete flexibility in mounting a TSD or TSD external power supplies the optional TSD-RRMK is available. The TSD-RRMK can support mounting of either two larger TSDs with external power supplies or up to 4 TSD models. **Note:** Only use the included M3 x 4mm screws as other screws may be too long and will cause internal damage to the TSD.





Block Diagram



1601 Jack McKay Blvd. • Ennis, Texas 75119 U.S.A.  
Telephone: 800.876.3333 • Fax: 800.765.3435

## Specifications

Description	Two Channel Amplifier
Load Rating	8Ω - 12W x 2 CH 4Ω - 25W x 2 CH
Chassis Color	Black
Chassis Material	Aluminum
<b>Inputs</b>	
Type	Qty 2, Unbalanced
Connection	RCA Left and Right
Impedance	10KΩ
Input Level	316mV (-10dBV)
Type	Qty 2, Balanced Line
Connection	Removable 3 Position Captive Screw 3.5mm Spacing
Impedance	10KΩ Balanced, 5KΩ Unbalanced
Line Input Level	500mV (-6dB) Balanced
<b>Outputs</b>	
Type	Qty 2, Speaker Output
Connection	Removable 2 Position Captive Screw 5mm Spacing
Wire Size	14 Gauge Max
<b>Controls</b>	
Level Control	Qty 2, Removable Knob with Security Cover
<b>Indicators</b>	
Input Signal	Green, 25mV On Threshold, Qty 2
Peak	Red, -3dB Before Clip, Qty 2
Power	Blue
<b>Electrical</b>	
Frequency Response	20Hz - 20kHz (±3dB)
THD	0.2% @ 1kHz
Signal to Noise	80dBV



1601 Jack McKay Blvd. • Ennis, Texas 75119 U.S.A.  
Telephone: 800.876.3333 • Fax: 800.765.3435

### Power Requirements

**Note: All Current and Watt data is based on AC power consumption using the TSD-PS24V2500mA Power Supply. Average Power is Based On 50% Duty Cycle**

Voltage	8Ω	4Ω
Idle Current	24VDC 1000mA	24VDC 2000mA
Idle VA Watts	70mA	70mA
Average Current	4.3W	4.3W
Average VA Watts	160mA	300mA
Max Current	18W	36W
Max VA Watts	490mA	950mA
	36W	72W
Dimensions	H 1.5" (39mm) x W 4" (101mm) x D 5.2" (132mm)	
Weight	13.4oz, .3kg	

### Included Accessories

Velcro™	Industrial-Grade
Multi-Mount Plate	Qty 1, Includes Two (2) M3 x 4mm Screws
Cable Retainers	Qty 2
Level Control Knobs	Qty 2
Level Control Security Covers	Qty 2

### Optional Accessories

TSD 24VDC	Power Supply
TSD-RMK	1 RU 19" Width Rack Mount Panel (Supports 4 TSD Units)
TSD-RMKHR	1 RU Half Rack Width Panel (Supports 2 TSD Units)
TSD-RRMK	Rear Rack Mounting Kit

### Safety and Certifications

External Power Supply	cUL, CE, RoHS, TUV
-----------------------	--------------------



1601 Jack McKay Blvd. • Ennis, Texas 75119 U.S.A.  
Telephone: 800.876.3333 • Fax: 800.765.3435

## Limited Warranty

All products manufactured by AtlasIED are warranted to the original dealer/installer, industrial or commercial purchaser to be free from defects in material and workmanship and to be in compliance with our published specifications, if any. This warranty shall extend from the date of purchase for a period of three years on all AtlasIED products, including SOUNDOLIER brand, and ATLAS SOUND brand products except as follows: one year on electronics and control systems; one year on replacement parts; and one year on Musician Series stands and related accessories. Additionally, fuses and lamps carry no warranty. AtlasIED will solely at its discretion, replace at no charge or repair free of charge defective parts or products when the product has been applied and used in accordance with our published operation and installation instructions. We will not be responsible for defects caused by improper storage, misuse (including failure to provide reasonable and necessary maintenance), accident, abnormal atmospheres, water immersion, lightning discharge, or malfunctions when products have been modified or operated in excess of rated power, altered, serviced or installed in other than a workman like manner. The original sales invoice should be retained as evidence of purchase under the terms of this warranty. All warranty returns must comply with our returns policy set forth below. When products returned to AtlasIED do not qualify for repair or replacement under our warranty, repairs may be performed at prevailing costs for material and labor unless there is included with the returned product(s) a written request for an estimate of repair costs before any nonwarranty work is performed. In the event of replacement or upon completion of repairs, return shipment will be made with the transportation charges collect.

EXCEPT TO THE EXTENT THAT APPLICABLE LAW PREVENTS THE LIMITATION OF CONSEQUENTIAL DAMAGES FOR PERSONAL INJURY, ATLASIED SHALL NOT BE LIABLE IN TORT OR CONTRACT FOR ANY DIRECT, CONSEQUENTIAL OR INCIDENTAL LOSS OR DAMAGE ARISING OUT OF THE INSTALLATION, USE OR INABILITY TO USE THE PRODUCTS. THE ABOVE WARRANTY IS IN LIEU OF ALL OTHER WARRANTIES INCLUDING BUT NOT LIMITED TO WARRANTIES OF MERCHANTABILITY AND FITNESS FOR A PARTICULAR PURPOSE.

AtlasIED does not assume, or does it authorize any other person to assume or extend on its behalf, any other warranty, obligation, or liability. This warranty gives you specific legal rights and you may have other rights which vary from state to state.

## Service

Should your Atlas TSD require service, please contact the AtlasIED warranty department at 1-877-689-8055, ext. 277 to obtain an RA number.

AtlasIED Tech Support can be reached at 1-800-876-3333 or [support.atlasied.com](mailto:support.atlasied.com).

Visit our website at [www.AtlasIED.com](http://www.AtlasIED.com) to see other Atlas products.

©2017 Atlas Sound L.P. The Atlas "Circle A", Soundolier, and Atlas Sound are trademarks of Atlas Sound L.P.

IED is a registered trademark of Innovative Electronic Designs LLC. All Rights Reserved.

All other trademarks are the property of their respective owners. All specs are subject to change without notice. ATS004047 RevD 4/17



1601 Jack McKay Blvd. • Ennis, Texas 75119 U.S.A.  
Telephone: 800.876.3333 • Fax: 800.765.3435