



Scan for full manual

VA-14 Quick Start Guide

This guide helps you install and use your VA-14 for the first time.

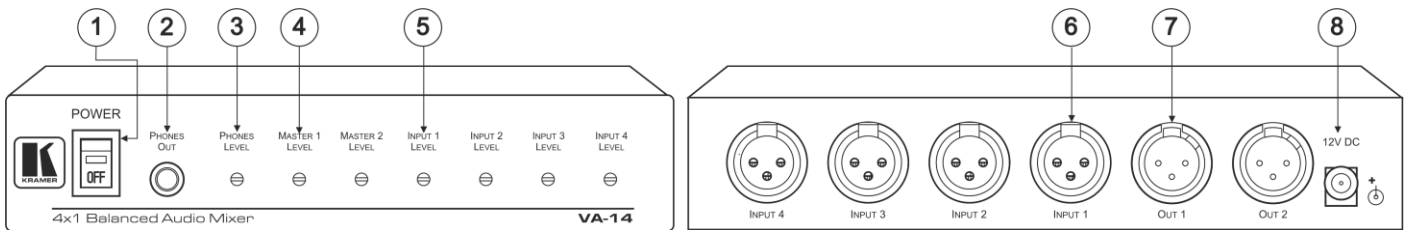
Go to www.kramerav.com/downloads/VA-14 to download the latest user manual and check if firmware upgrades are available.

Step 1: Check what's in the box

- ✓ VA-14 4x1 Balanced Audio Mixer
- ✓ 1 Power supply (12V DC)
- ✓ 4 Rubber feet
- ✓ 1 Quick start guide

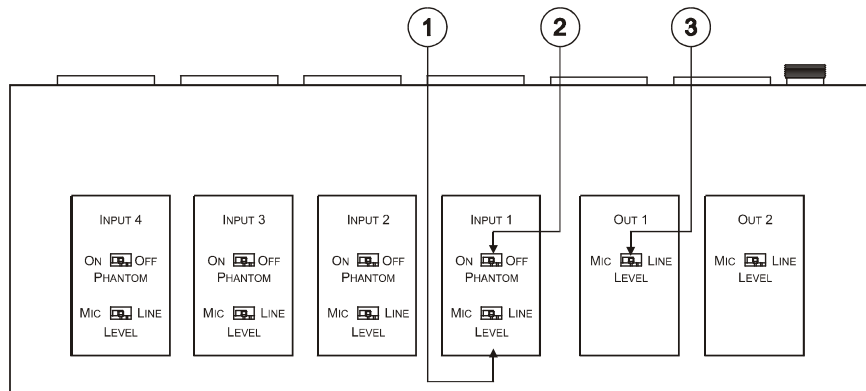
Step 2: Get to know your VA-14

VA-14 Front and Back Panels:



#	Feature	Function
1	POWER Switch	Illuminated switch for turning the unit ON or OFF.
2	PHONES OUT 6.5mm Connector	Connect to the headphone set.
3	PHONES LEVEL Potentiometer	Use to adjust the headphone volume.
4	MASTER LEVEL Potentiometer	Use to adjust the combined signals from all inputs mixed to the output (from 1 to 2).
5	INPUT LEVEL Potentiometer	Use to adjust the input level (from 1 to 4).
6	INPUT XLR Female Connectors	Connect to the audio source (from 1 to 4).
7	OUT XLR Male Connectors	Connect to the audio acceptor (from 1 to 2).
8	12V DC	Connect to the 12V power supply.

VA-14 Underside:

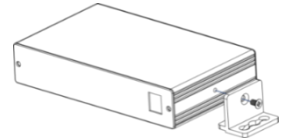


#	Feature	Function
1	INPUT PHANTOM	Set to ON to select a phantom microphone. Set to OFF to select a dynamic microphone.
2	(from 1 to 4) LEVEL	Set to MIC to select a microphone level input. Set to LINE to select a LINE level input.
3	OUT LEVEL	Set to MIC to select a microphone level output. Set to LINE to select a LINE level output (from 1 to 2).

Step 3: Mount VA-14

Install VA-14 using one of the following methods:

- Attach the rubber feet and place the unit on a flat surface.
- Mount the unit in a rack using the recommended rack adapter (see www.kramerav.com/product/VA-14).



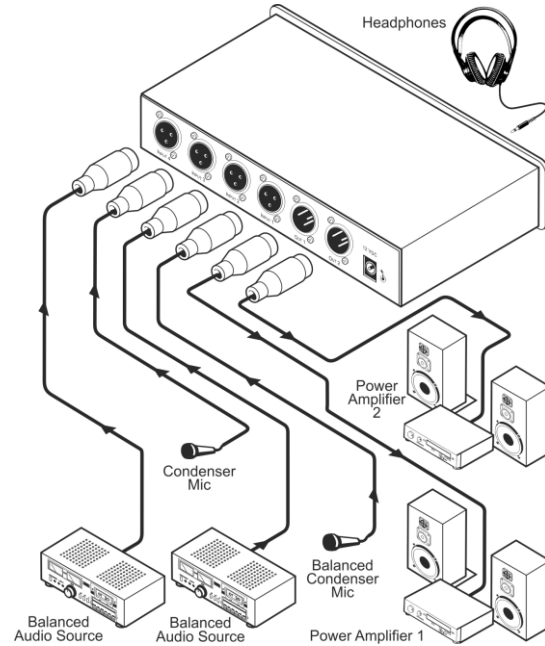
- Ensure that the environment (e.g., maximum ambient temperature & air flow) is compatible for the device.
- Avoid uneven mechanical loading.
- Appropriate consideration of equipment nameplate ratings should be used for avoiding overloading of the circuits.
- Reliable earthing of rack-mounted equipment should be maintained.

Step 4: Connect inputs and outputs

Always switch OFF the power on each device before connecting it to your VA-14.

1. Connect balanced audio sources and/or microphones to the INPUT connectors.
2. Set the underside switches according to the sources for each input.
3. Connect power amplifiers to the OUTPUT connectors and connect the amplifiers to speakers.
4. Set the underside switches according to the output devices for each output.
5. Connect the PHONES OUTPUT connector to a headphone set.

Note: For every unused input, rotate the *LEVEL* potentiometer fully to the minimum level (counterclockwise).



To achieve specified extension distances, use the recommended Kramer cables available at www.kramerav.com/product/VA-14. Using third-party cables may cause damage!

Step 5: Connect power

Connect the 12V DC power supply to VA-14 and plug it into the mains electricity.

Safety Instructions (See www.kramerav.com for updated safety information)

Caution:

- For products with relay terminals and GPIO ports, please refer to the permitted rating for an external connection, located next to the terminal or in the User Manual.
- There are no operator serviceable parts inside the unit.

Warning:

- Use only the power cord that is supplied with the unit.
- Disconnect the power and unplug the unit from the wall before installing.

Step 6: Operate VA-14

Use a small screwdriver to adjust the audio levels:

- For a specific input, rotate the relevant *LEVEL* potentiometer.
- For all the inputs mixed together, rotate each of the *MASTER* potentiometers (1 and 2) respectively.
- For the headphone set, rotate the *PHONES LEVEL* potentiometer.

PHONES
LEVEL



MASTER 1
LEVEL



MASTER 2
LEVEL



INPUT 1
LEVEL



INPUT 2
LEVEL



INPUT 3
LEVEL



INPUT 4
LEVEL

