



Scan for full manual

## VM-2HxI Quick Start Guide

This guide helps you install and use your VM-2HxI for the first time.

Go to [www.kramerav.com/downloads/VM-2HxI](http://www.kramerav.com/downloads/VM-2HxI) to download the latest user manual and check if firmware upgrades are available.

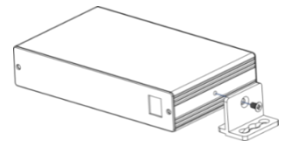
### Step 1: Check what's in the box

- ✓ VM-2HxI 1:2 HDMI Distributor
- ✓ 1 Power supply (5V DC)
- ✓ 4 Rubber feet
- ✓ 1 Quick start guide

### Step 2: Mount VM-2HxI

Install VM-2HxI using one of the following methods:

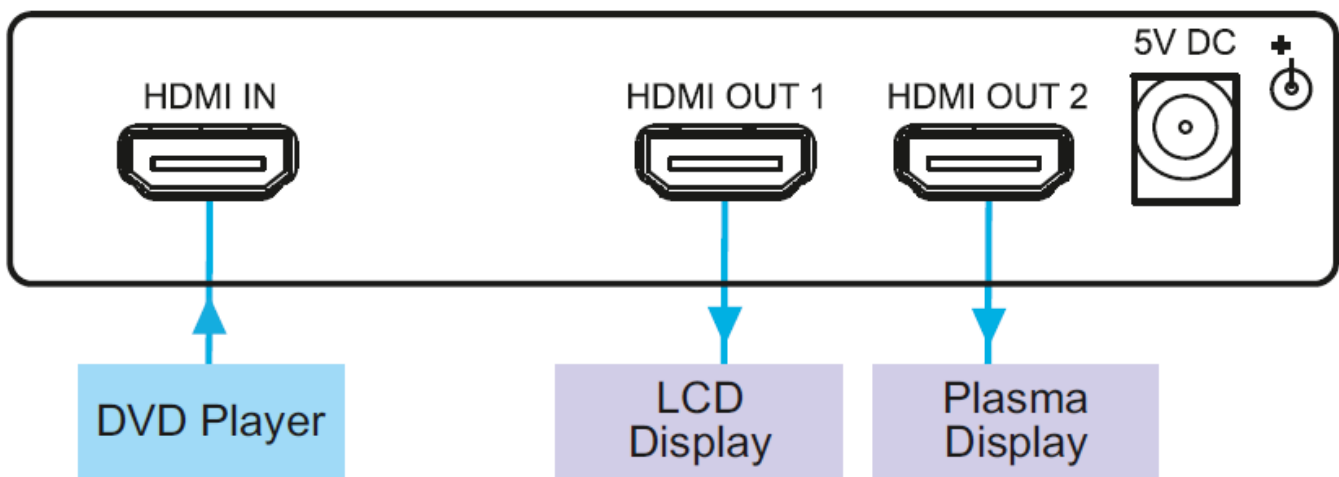
- Attach the rubber feet and place the unit on a flat surface.
- Fasten a bracket on each side of the unit and attach it to a flat surface (see [www.kramerav.com/downloads/VM-2HxI](http://www.kramerav.com/downloads/VM-2HxI)).
- Mount the unit in a rack using the recommended rack adapter (see [www.kramerav.com/product/VM-2HxI](http://www.kramerav.com/product/VM-2HxI)).



- Ensure that the environment (e.g., maximum ambient temperature & air flow) is compatible for the device.
- Avoid uneven mechanical loading.
- Appropriate consideration of equipment nameplate ratings should be used for avoiding overloading of the circuits.
- Reliable earthing of rack-mounted equipment should be maintained.
- Maximum mounting height for the device is 2 meters.

### Step 3: Connect inputs and outputs

Always switch OFF the power on each device before connecting it to your VM-2HxI.



To achieve specified extension distances, use the recommended Kramer cables available at [www.kramerav.com/product/VM-2HxI](http://www.kramerav.com/product/VM-2HxI). Using third-party cables may cause damage!

---

## Step 4: Connect power

Connect the power cord to **VM-2HxI** and plug it into the mains electricity.

Safety Instructions (See [www.kramerav.com](http://www.kramerav.com) for updated safety information)



**Caution:**

- For products with relay terminals and GPIO ports, please refer to the permitted rating for an external connection, located next to the terminal or in the User Manual.
- There are no operator serviceable parts inside the unit.

**Warning:**

- Use only the power cord that is supplied with the unit.
- Disconnect the power and unplug the unit from the wall before installing.

---

## Step 5: Operate the VM-2HxI

Acquire the EDID from a connected output:

1. Press and hold the EDID SETUP button to select the desired EDID.
2. The OUT LEDs illuminate in the following cycle: OUT 1, OUT 2, both illuminate (auto-mix) and both flash (default).
3. Release the button when reaching the desired set up. (If you set the machine to acquire the EDID from an output that is not connected, the default EDID is acquired)
4. The EDID is now acquired.