



Scan for full manual

## VP-409 Quick Start Guide

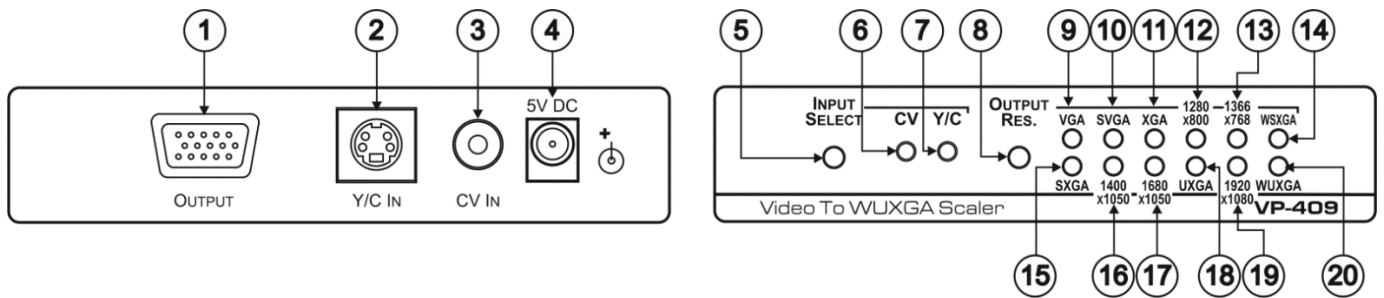
This guide helps you install and use your VP-409 for the first time.

Go to [www.kramerav.com/downloads/VP-409](http://www.kramerav.com/downloads/VP-409) to download the latest user manual and check if firmware upgrades are available.

### Step 1: Check what's in the box

- ✓ VP-409 Video to WUXGA Scaler
- ✓ 1 Power cord
- ✓ 1 Set of rack ears
- ✓ 1 Quick start guide

### Step 2: Get to know your VP-409

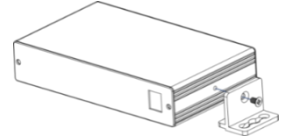


#	Feature	Function
1	OUTPUT 15-pin HD Connector	Connects to the VGA-WUXGA acceptor
2	Y/C IN 4-pin Connector	Connects to an s-Video source
3	CV IN RCA Connector	Connects to a composite video source
4	5V DC	+5V DC connector for powering the unit
5	INPUT SELECT Button	Press to select between inputs
6	CV LED	Illuminates when the CV input is selected
7	Y/C LED	Illuminates when the Y/C input is selected
8	OUTPUT RES. Button	Press to select the desired output resolution
9	VGA LED	Illuminates when the VGA (640x480) resolution is selected
10	SVGA LED	Illuminates when the SVGA (800x600) resolution is selected
11	XGA LED	Illuminates when the XGA (1024x768) resolution is selected
12	1280x800 LED	Illuminates when the 1280x800 (Wide XGA) resolution is selected
13	1366x768 LED	Illuminates when the 1366x768 (WXGA) resolution is selected
14	WSXGA LED	Illuminates when the WSXGA (1440x900) resolution is selected
15	SXGA LED	Illuminates when the SXGA (1280x1024) resolution is selected
16	1400x1050 LED	Illuminates when the 1400x1050 (SXGA+) resolution is selected
17	1680x1050 LED	Illuminates when the 1680x1050 (WSXGA+) resolution is selected
18	UXGA LED	Illuminates when the UXGA (1600x1200) resolution is selected
19	1920x1080 LED	Illuminates when the 1920x1080 (1080p RGB) resolution is selected
20	WUXGA LED	Illuminates when the WUXGA (1920x1200) resolution is selected

## Step 3: Mount VP-409

Install VP-409 using one of the following methods:

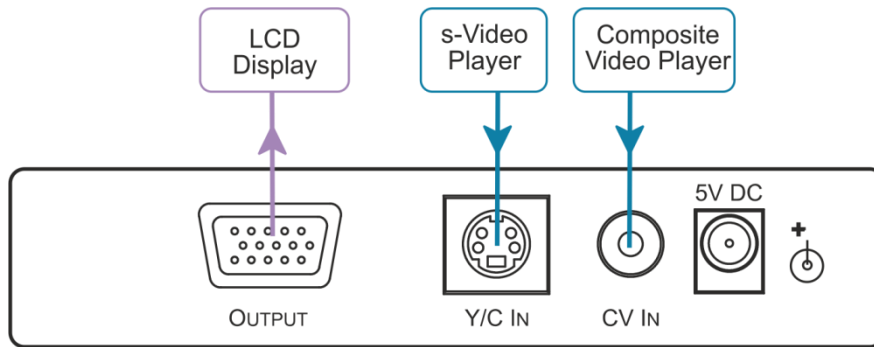
- Attach the rubber feet and place the unit on a flat surface.
- Fasten a bracket on each side of the unit and attach it to a flat surface (see [www.kramerav.com/downloads/VP-409](http://www.kramerav.com/downloads/VP-409)).
- Mount the unit in a rack using the recommended rack adapter (see [www.kramerav.com/product/VP-409](http://www.kramerav.com/product/VP-409)).



- Ensure that the environment (e.g., maximum ambient temperature & air flow) is compatible for the device.
- Avoid uneven mechanical loading.
- Appropriate consideration of equipment nameplate ratings should be used for avoiding overloading of the circuits.
- Reliable earthing of rack-mounted equipment should be maintained.

## Step 4: Connect inputs and outputs

Always switch OFF the power on each device before connecting it to your VP-409.



To achieve specified extension distances, use the recommended Kramer cables available at [www.kramerav.com/product/VP-409](http://www.kramerav.com/product/VP-409). Using third-party cables may cause damage!

## Step 5: Connect power

Connect the power cord to VP-409 and plug it into the mains electricity.

Safety Instructions (See [www.kramerav.com](http://www.kramerav.com) for updated safety information)

### Caution:

- For products with relay terminals and GPIO ports, please refer to the permitted rating for an external connection, located next to the terminal or in the User Manual.
- There are no operator serviceable parts inside the unit.

### Warning:

- Use only the power cord that is supplied with the unit.
- Disconnect the power and unplug the unit from the wall before installing.
- Do not open the unit. High voltages can cause electrical shock! Servicing by qualified personnel only.
- To ensure continuous risk protection, replace fuses only according to the rating specified on the product label which located on the bottom of the unit.