

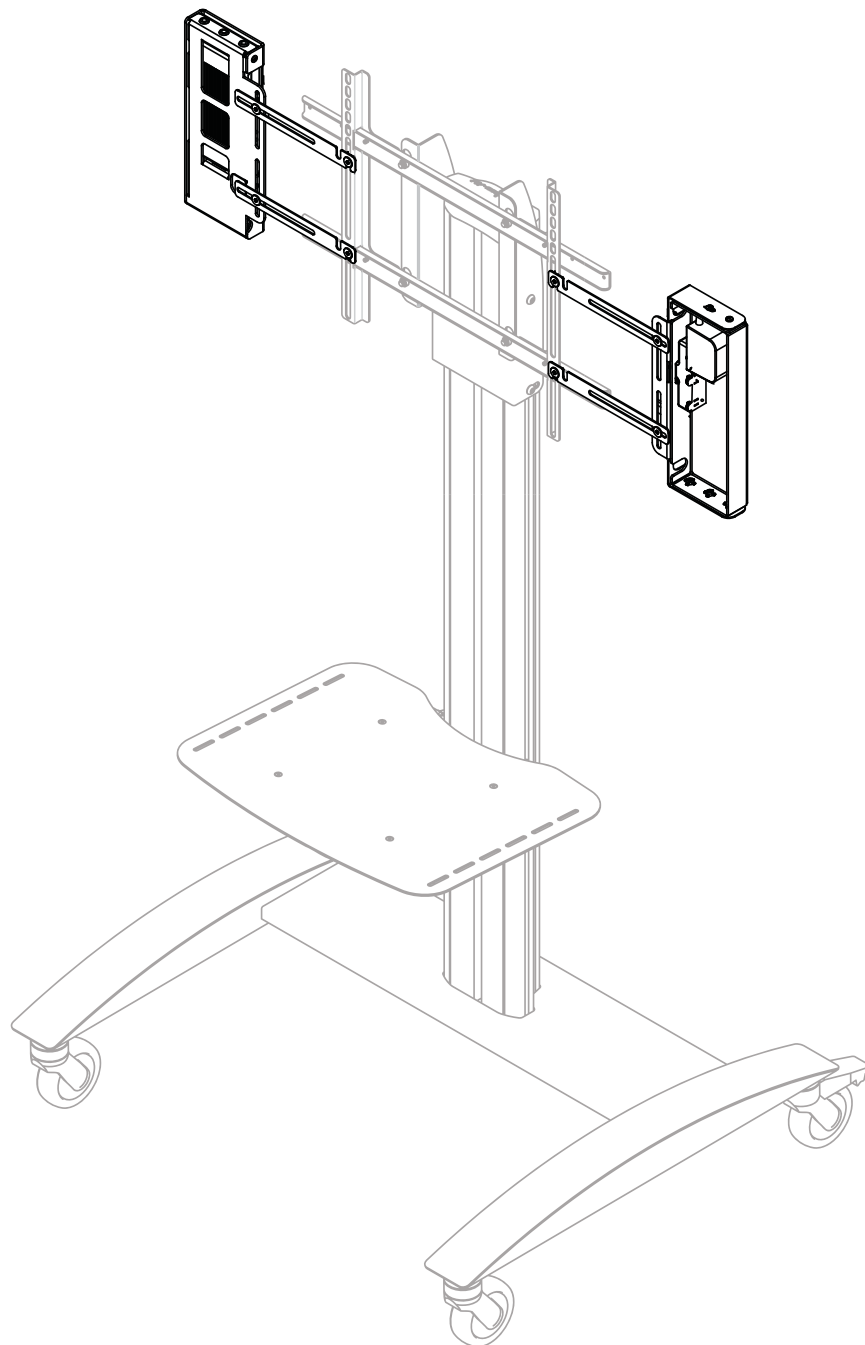


# Installation and Assembly:

Install prior to attaching adapter brackets to TV

---

**Models:** WL-SR560M-300



**NOTE:** Read entire instruction sheet before you start installation and assembly.

## **WARNING**

- Do not begin to install your Peerless product until you have read and understood the instructions and warnings contained in this Installation Sheet. If you have any questions regarding any of the instructions or warnings, for US customers please call Peerless customer care at 1-800-865-2112, for all international customers, please contact your local distributor.
- This product should only be installed by someone of good mechanical aptitude, and fully understands these instructions.
- Never exceed the Maximum Load Capacity on page 1.
- Always use an assistant or mechanical lifting equipment to safely lift and position equipment.
- Tighten screws firmly, but do not overtighten. Overtightening can damage the items, greatly reducing their holding power.
- The cart is not affixed or secured to the floor, and may therefore tip over and/or fall if screen and/or stand is shaken or hit. Always monitor children and do not let children play alone around stand as they could get hurt by a falling screen. Not recommended for use in areas with heavy traffic.

### **Tools Needed for Assembly**

- phillips screwdriver

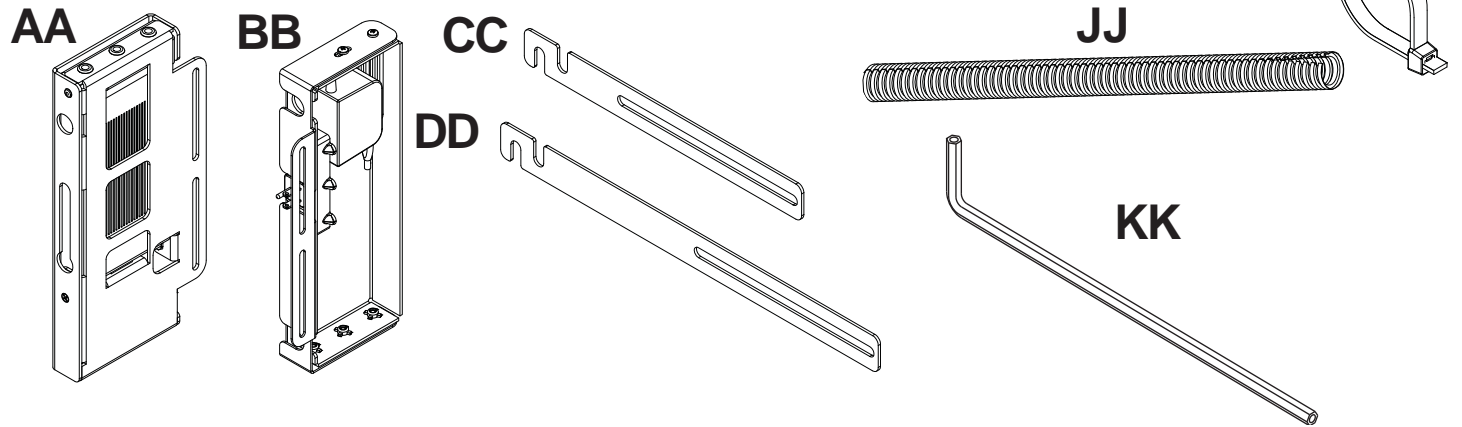
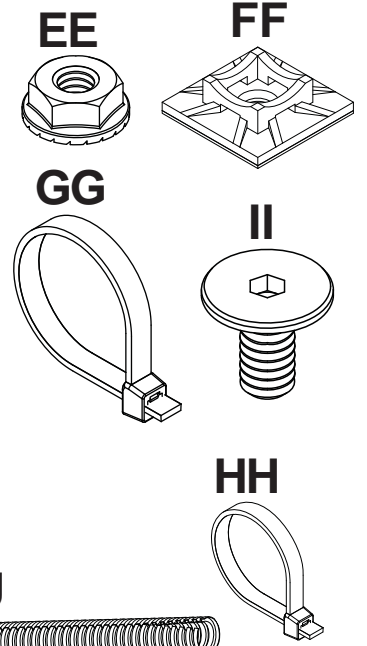
### **Table of Contents**

---

Parts List.....	3, 4, 5
Wireless Receiver Assembly and Power Module Assembly Installation.....	11
Installing Adapter Brackets .....	12
Wireless Receiver Assembly and Power Module Assembly Setup.....	15
Cord Management.....	18

# Parts List

Description	Qty	Part #
<b>AA</b> wireless receiver assembly	1	180-1327
<b>BB</b> power module assembly	1	180-1015
<b>CC</b> enclosure mounting bracket small	4	120-1195
<b>DD</b> enclosure mounting bracket large	4	120-1196
<b>EE</b> lock nut 1/4-20	8	530-1021
<b>FF</b> cable tie anchor	2	590-9469
<b>GG</b> cable tie large	8	590-1168
<b>HH</b> cable tie small	2	560-9711
<b>II</b> 1/4-20 x 12mm decorative screw	8	520-2325
<b>JJ</b> cable management sheath	1	590-9468
<b>KK</b> 4 mm allen wrench	1	560-9646



## Additional Wireless Components



wireless transmitter (1) wireless Receiver (1) 3v battery (1) plastic stand (1) remote (1) install guide (1)



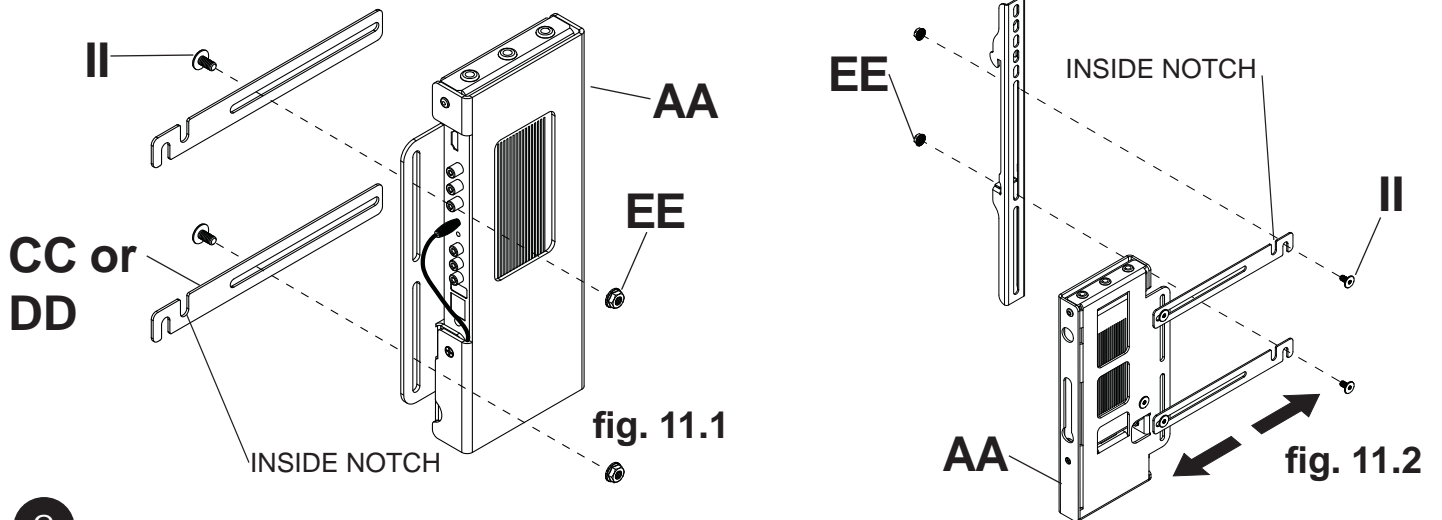
component/composite to VGA dongle (1) 12v power adapter (2) IR Extender (1) ir flasher (1) hdmi cable (2) instruction sheet (1)

# Wireless Receiver and Power Enclosure Installation

- 1 **NOTE:** For mounting patterns smaller than VESA 400, use large enclosure mounting bracket (**DD**).
- NOTE:** The Wireless Receiver Assembly (**AA**) and Power Module Assembly (**BB**) position can be interchanged based on the display's connector panel location. Install Wireless Receiver Assembly on the side closest to the connector panel.

Loosely attach the enclosure mounting brackets (**CC or DD**) to the wireless receiver assembly (**AA**) with two 1/4-20 x 12 mm screws (**II**) and two 1/4-20 nuts (**EE**) as shown in fig. 11.1. **NOTE:** The enclosure mounting bracket can be installed with the inside notch facing downward if additional side-to-side adjustment is needed. Attach the mounting brackets (**CC or DD**), open end of notch facing downward, to the adapter bracket with two 1/4-20 x 12 mm screws (**II**) and two 1/4-20 nuts (**EE**) as shown in fig. 11.2.

Adjust the position of the receiver assembly (**AA**) to your desired location as shown in fig. 11.2. Once in position, tighten the four 1/4-20 x 12 mm screws (**II**) using 4mm allen wrench (**KK**).



- 2 **NOTE:** For mounting patterns smaller than VESA 400, use large enclosure mounting bracket (**DD**).
- Loosely attach the enclosure mounting brackets (**CC or DD**) to the power module assembly (**BB**) with two 1/4-20 x 12 mm screws (**II**) and two 1/4-20 nuts (**EE**) as shown in fig. 12.1. **NOTE:** The enclosure mounting bracket can be installed with the inside notch facing downward if additional side-to-side adjustment is needed. Attach the mounting brackets (**CC or DD**), open end of notch facing downward, to the adapter bracket with two 1/4-20 x 12 mm screws (**II**) and two 1/4-20 nuts (**EE**) as shown in fig. 12.2.

Adjust the position of the power module assembly (**BB**) to your desired location as shown in fig. 12.2. Once in position, tighten the four 1/4-20 x 12 mm screws (**II**) using 4mm allen wrench (**KK**).

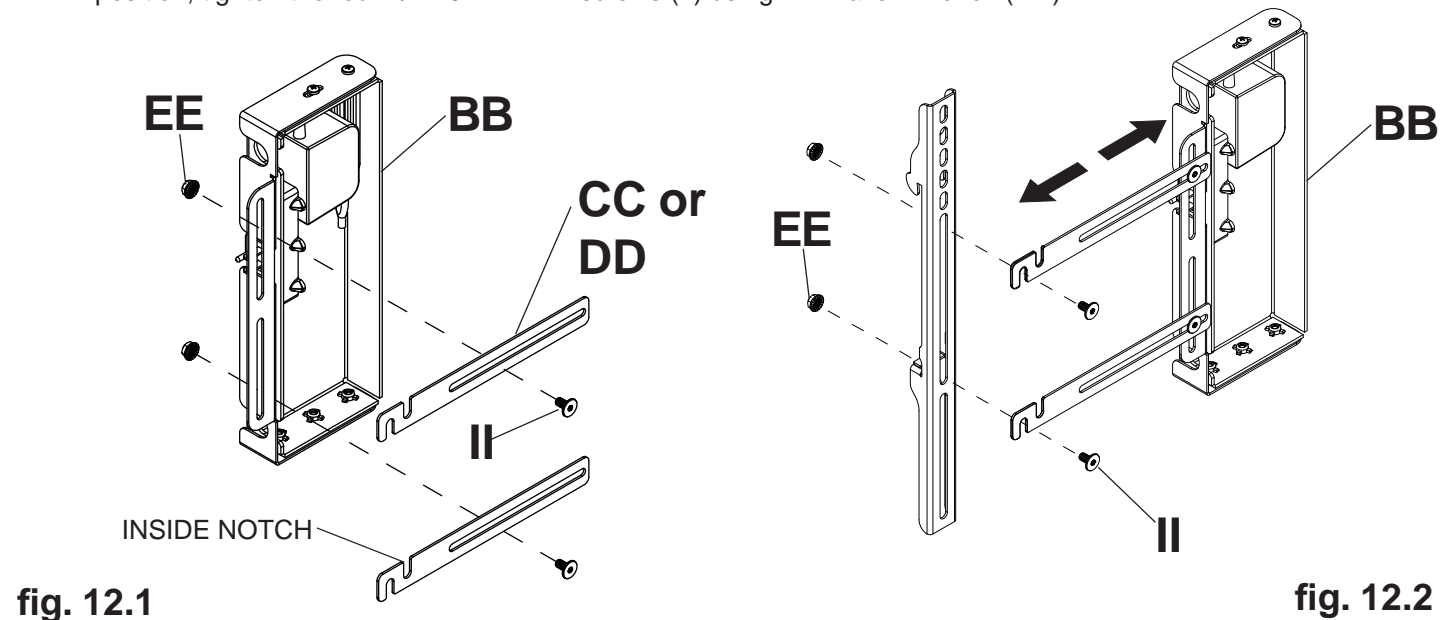


fig. 12.1

fig. 12.2

## Installing Adapter Brackets to Universal Plate

### ⚠ WARNING

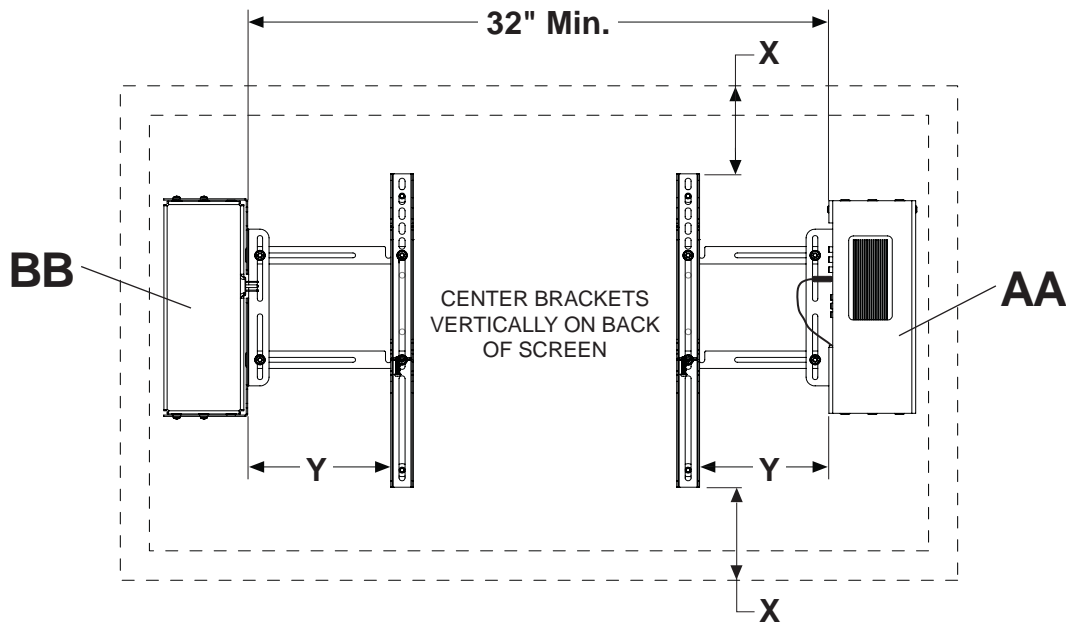
- Tighten screws so adapter brackets are firmly attached. Do not tighten with excessive force. Overtightening can cause stress damage to screws, greatly reducing their holding power and possibly causing screw heads to become detached. Tighten to 40 in. • lb (4.5 N.M.) maximum torque.
- If screws don't get three complete turns in the screen inserts or if screws bottom out and bracket is still not tightly secured, damage may occur to screen or product may fail.

**3** To prevent scratching the screen, set a cloth on a flat, level surface that will support the weight of the screen. Place screen face side down. Refer to screen manufacturers instructions or customer service, for removing any knobs, base, cover, or screw(s) on the back of the screen to prepare mounting. These need to be removed to allow the adapter brackets to be attached.

Position adapter brackets over mounting holes on back of screen. Adjust the position of assemblies (**AA** and **BB**) so that they are at least 32" apart. Make sure assemblies (**AA** and **BB**) are evenly spaced from the adapter brackets. Tighten screws (**II**) to lock position of assemblies (**AA** and **BB**).

Select the small, medium, large or extra large screws from the baffled fastener pack then attach adapter brackets to screen following figure 13.1.

**NOTE:** Top and bottom mounting holes must be used for attaching brackets. Verify that all holes are properly aligned, and then tighten screws using a security allen wrench.

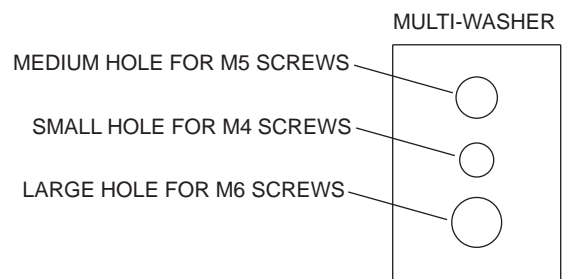


**NOTE:** "X" dimensions should be equal.

**NOTE:** "Y" dimensions should be equal.

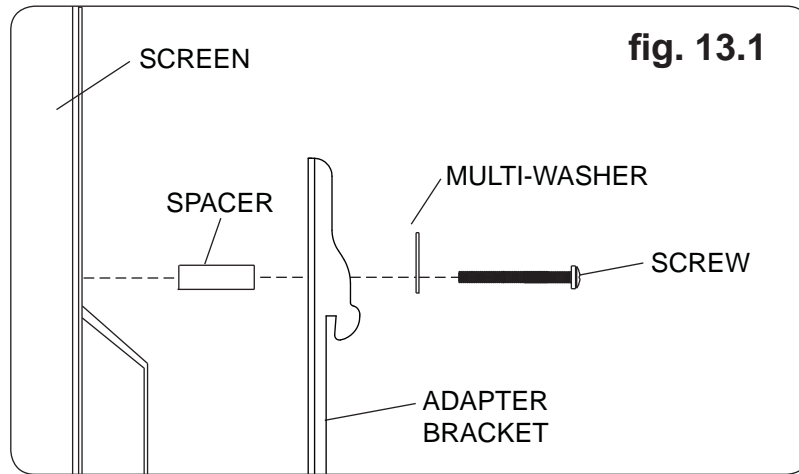
#### Notes:

- The number of fasteners used will vary, depending upon the type of screen.
- Multi-washers and spacers may not be used, depending upon the type of screen.
- Use the corresponding hole in the multi-washer that matches your screw size as shown.



3-1

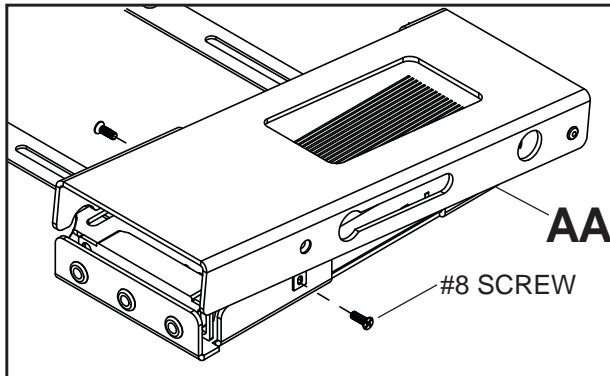
Begin with longer length screw, hand thread through multi-washer, adapter bracket and spacer in that order into screen as shown below. Screw must make at least three full turns into the mounting hole and fit snug into place. Do not over tighten. If screw cannot make three full turns into the screen, select a shorter length screw from the baffled fastener pack. Repeat for remaining mounting holes, level brackets and tighten screws.



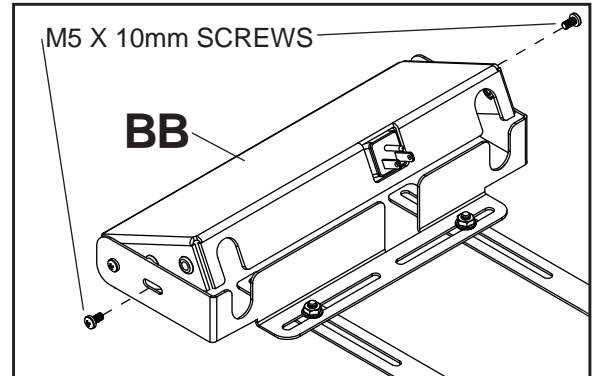
If you have any questions, please call Peerless customer care at 1-800-865-2112.

## Wireless Receiver Assembly and Power Module Assembly Setup

- 4 Remove the two #8 screws securing the cover of the wireless receiver assembly (AA) as shown in detail 4. Open the enclosure to expose the wireless receiver and IR Extender. Remove the M5 x 10mm phillips screws and open the power module assembly (BB) as shown in detail 5.

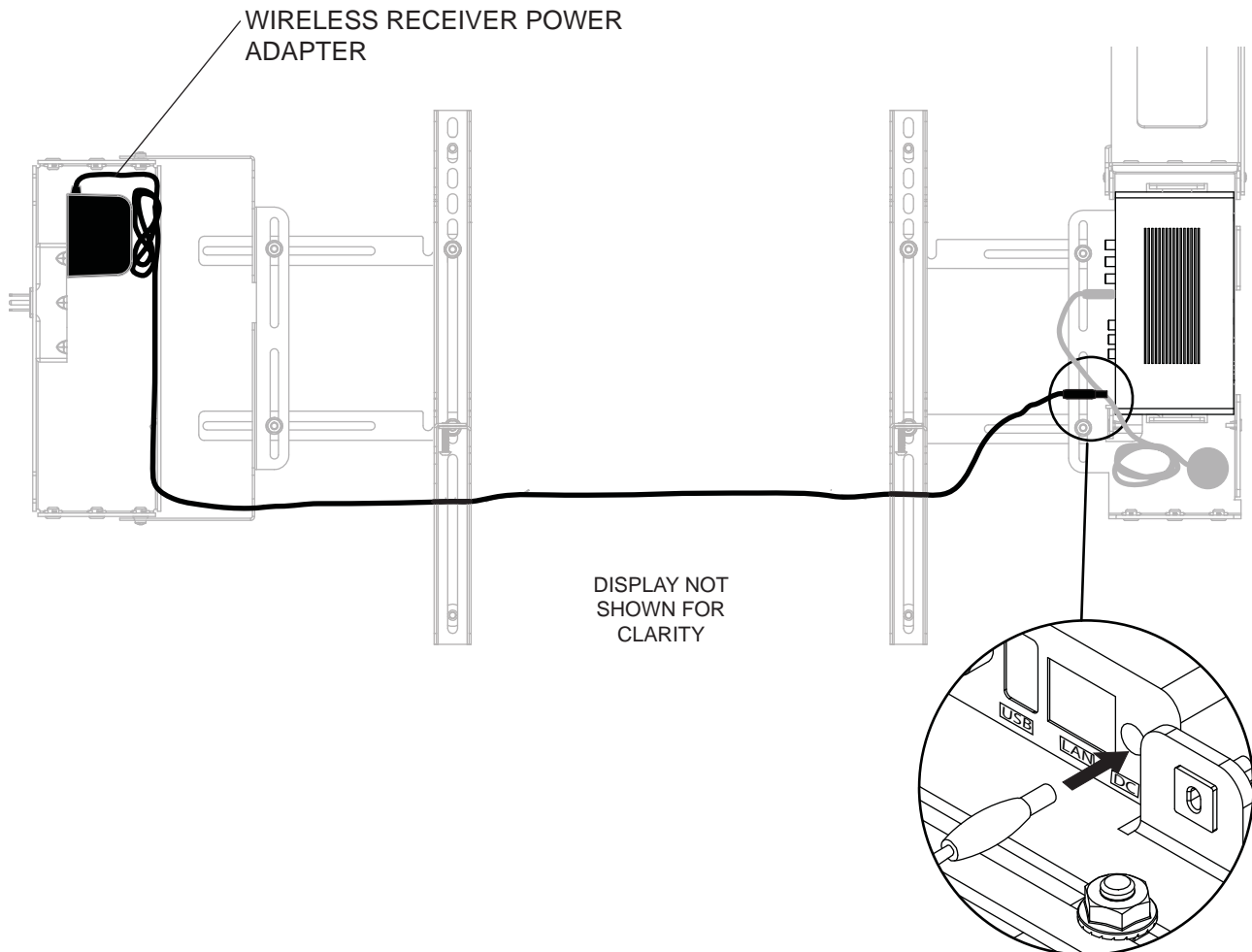


DETAIL 4



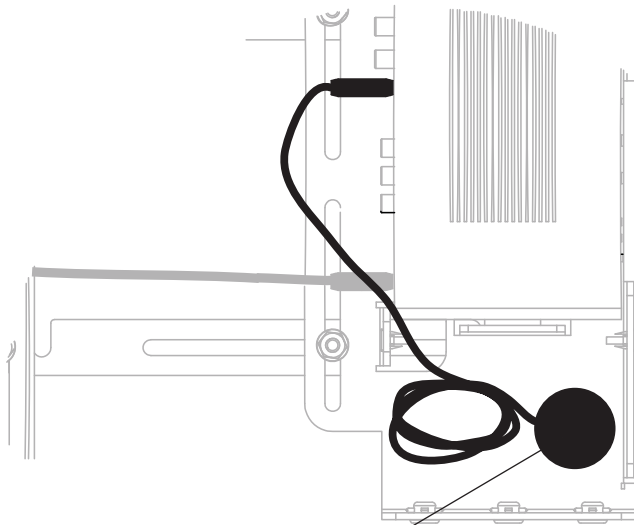
DETAIL 5

- 5 Untie the wireless receiver power adapter cord and route as shown below. Plug the end of the power adapter into the outlet marked DC on the wireless receiver as shown in detail 6. Coil up the excess cord and secure with a cable tie (HH). Store the coiled cord between the power adapter and the power module wall as shown.



DETAIL 6

- 6 Locate the IR Extender inside of the wireless receiver enclosure shown in figure 19.1. Remove the tie from the cable and position the IR Extender on the display within line of sight of your remote as shown in figure 19.2. Remove the adhesive backing from the IR Extender eye and attach to the display. Coil up the excess cord near the wireless receiver enclosure (AA) and secure with a cable tie (HH). Store the coiled cord back inside of the enclosure.

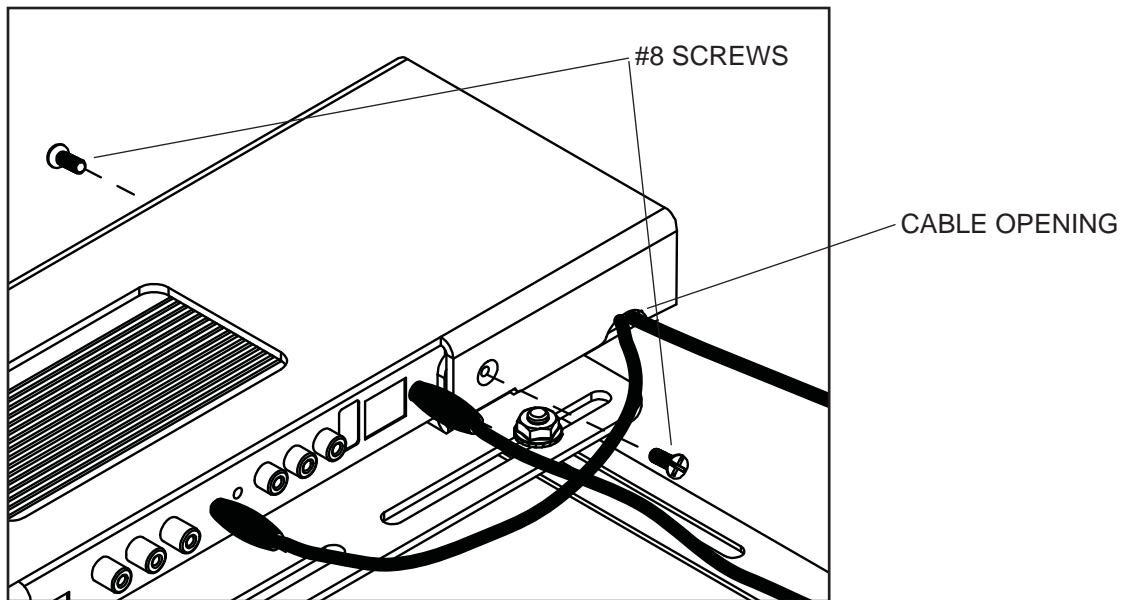


IR RECIEVER **fig. 19.1**



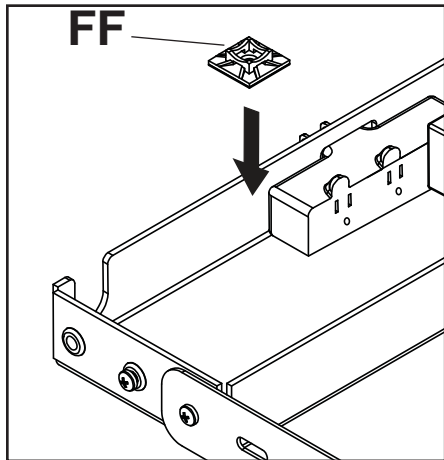
**fig. 19.2**  
IR RECIEVER

- 7 Close the top cover of the wireless receiver assembly (AA), making sure that the power adapter cords run underneath the cable opening as shown below. Re-install the two #8 screws.

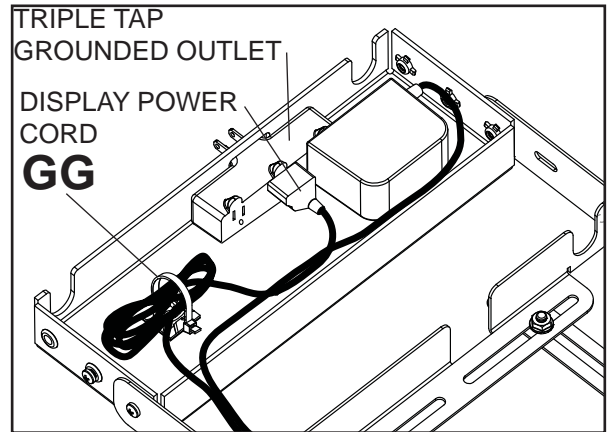




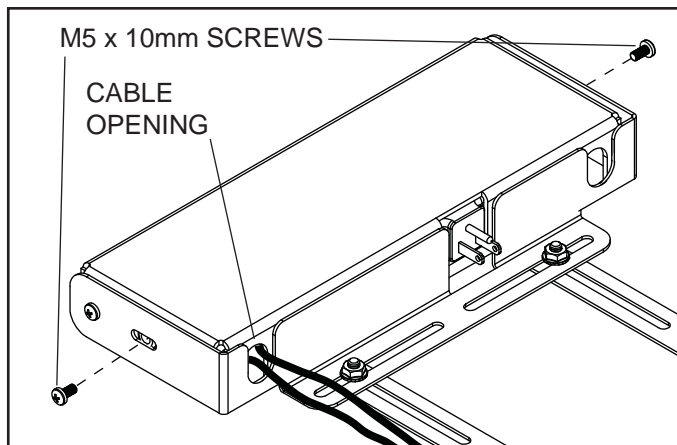
- 8 Install the cable tie anchor (**FF**) onto the inside back wall of the power enclosure (**BB**). Remove the adhesive backing from the anchor and press into place in the area shown.



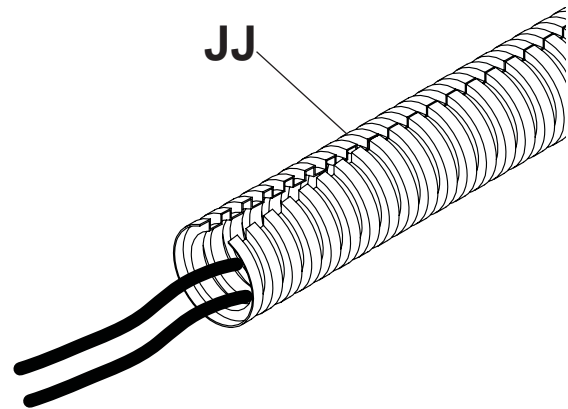
- 9 Plug the power cord from your display into the triple tap grounded outlet as shown. Coil up the excess cord and secure with a cable tie (**GG**), inserting it through the cable tie anchor (**FF**) and around the coiled cord.



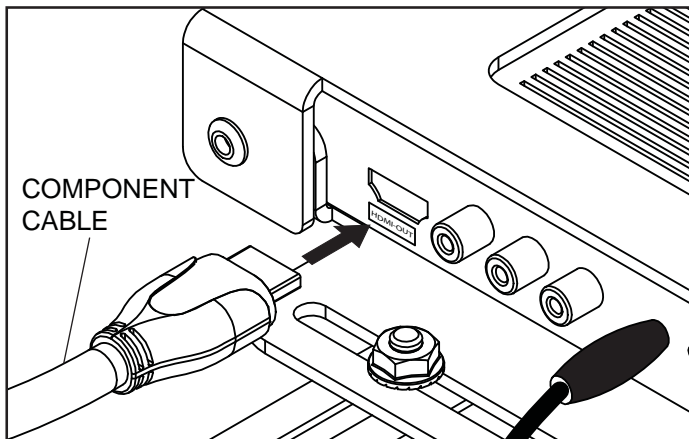
- 10 Close the top cover of the power module assembly (**BB**), making sure that the power adapter cords run underneath the cable opening as shown below. Re-install the M5 x 10mm phillips screws.



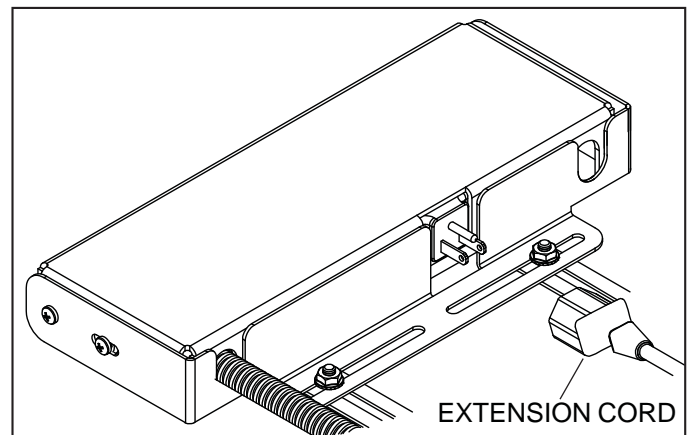
- 11 Place the cords inside the cable management sheath (**JJ**) by pushing the cables through the slit in the sheath. **NOTE:** The sheath may need to be trimmed to length before installing cords.



- 12 Plug the component cable(s) from your display (HDMI shown) into the wireless receiver.



- 13 Plug extension cord (not included) into power adapter.



## Cord Management

- 14 Run extension cord (not included) through upright.
- 15 To complete the installation of your wireless mount, please refer to the PeerAir Pro™ User's Manual and the PeerAir Pro™ Install Guide included.

# WARRANTY

## 1 YEAR LIMITED WARRANTY

The HDS300 is distributed by Peerless Industries, Inc. using the highest quality components and technology available. The Product is warranted to be free from defects in material and workmanship, given normal use and care, for 1 Year from the original purchase date with proof of purchase. Please retain a copy of your receipt as you will need this to obtain warranty work. We will repair or replace the product which fails as a result of such a defect during the warranty period. The accessories are not covered by this warranty.

**This warranty is the customers' exclusive remedy for product defect and does not apply to:**

- Any modifications made to the product in any way by the customer
- Attachments to the product by the customer that causes product damage
- Any product which the seals/and or serial numbers and/or logos have been broken, removed, or tampered with, defaced, or altered in any manner
- Damage caused by abuse, misuse, accident, water, or theft
- Physical damage
- Loss of the Accessories

Except as stated above, Peerless Industries, Inc. makes no express or implied warranties as to any product, in Particular, makes no warranty of merchantability or fitness for any particular purpose. Peerless Industries, Inc. shall not be liable for consequential or incidental damages arising from any product defect. Our liability is limited to replacement of any defective product as stipulated under the warranty conditions. Peerless Industries, Inc. expressly disclaims all warranties not satisfied in this limited warranty. Any implied warranties that may be imposed by law are limited to the terms of this limited warranty.

## CONTACT INFORMATION

### Customer Care

Need help with installation or set up? Call Peerless-AV Customer Care  
1-800-865-2112 (available 7:00am- 7:00pm CST, Monday - Friday), or email us at [info@peerless-av.com](mailto:info@peerless-av.com).

Peerless -AV  
2300 White Oak Circle  
Aurora, IL 60502 USA  
[www.peerless-av.com](http://www.peerless-av.com)