

UBWPaVOL

ANALOG CONTROLS & PANELS

Remote Wall-panel Volume Control



PRODUCT OVERVIEW

UBWPaVOL is a remote wall panel control for one volume management, in US single gang bare format. It is compatible with all ECLER devices with 0-10VDC remote control port.

KEY FEATURES

- US single gang bare format
- Dimensions (WxHxD): 1.4x2.5x1.4 in
- RJ45 port
- Finished in white colour (RAL 9003)
- Compatible with US gang multi-panel installation

APPLICATIONS

- Retail
- Corporate
- Leisure

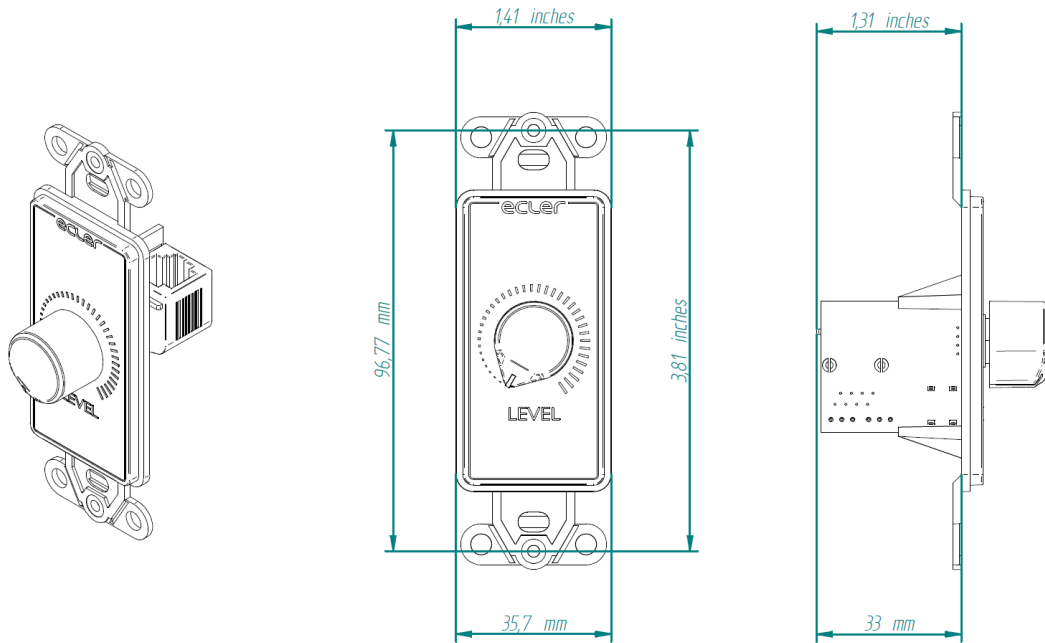
ACCESSORIES & COMPATIBLE PRODUCTS

- Any Ecler device with 0-10VDC port: NXA series, GPA series, MIMO88, MPA-R, ALMA, CA series

TECHNICAL SPECIFICATIONS

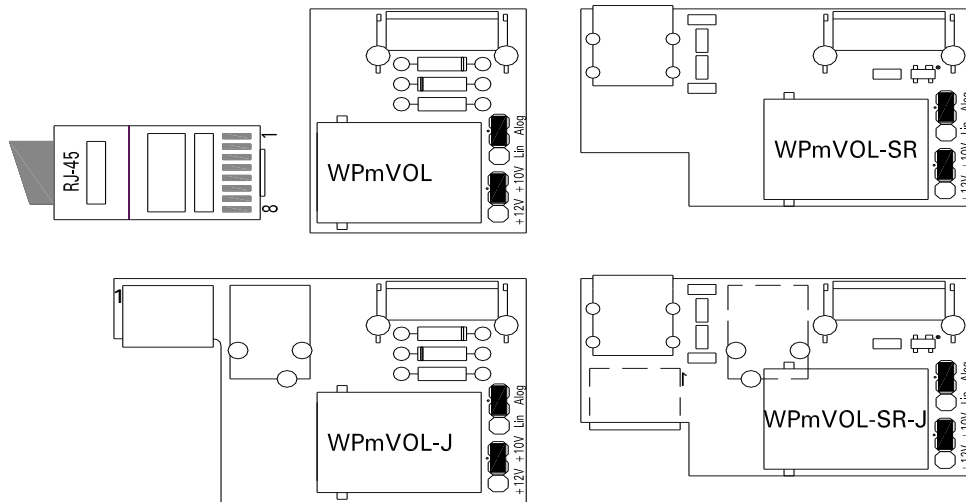
UBWPaVOL	
Format	NEMA Single gang
Potentiometer value	20k Ω
Connectors	RJ45
Colour	White (RAL 9003)
Dimensions	35x65x35mm / 1.4x2.5x1.4 in (WxHxD)
Weight	30 grs / 0.07 lb.

MECHANICAL DIAGRAM



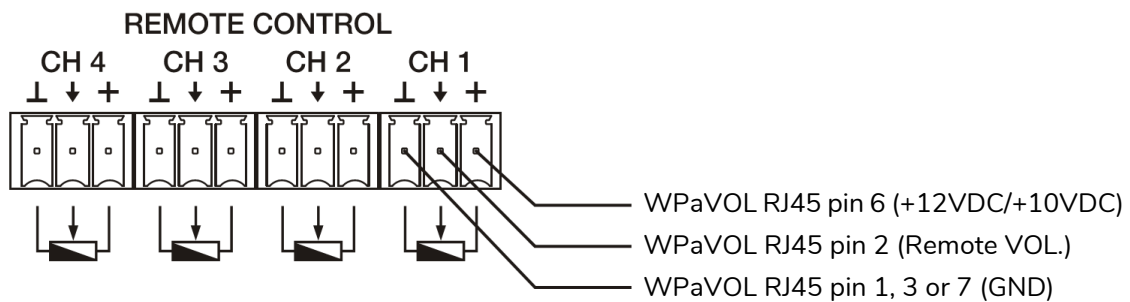
CONNECTION DIAGRAM

RJ-45 Diagram		
Pin 1	White Orange	GND
Pin 2	Orange	REMOTE VOL (10V÷0V → MIN÷MAX)
Pin 3	White Green	GND
Pin 4	Blue	N.C.
Pin 5	White Blue	N.C.
Pin 6	Green	VCC (+12V/+10V)
Pin 7	White Brown	GND
Pin 8	Brown	N.C.



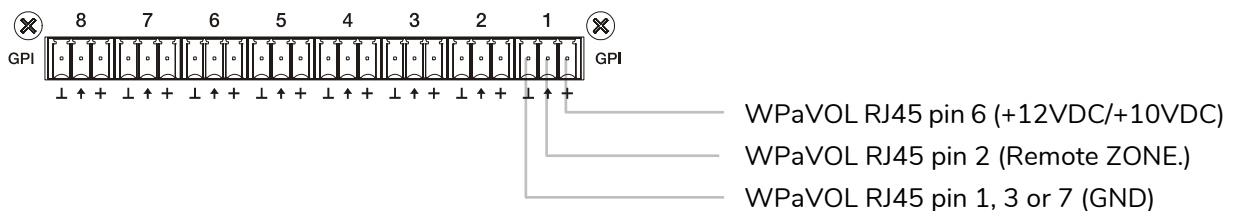
FACTORY DEFAULT: ALOG
+10V

ALOG for analog devices / LIN for digital devices
+12V for MIMO88 GPI's / +10V for other REMOTE ports



Jumpers position: ALOG / LIN → **ALOG position**
+12 / +10 → **+10 position**

Connection to a remote control port



Jumpers position: ALOG / LIN → **LIN position**
+12 / +10 → **+12 position**

Connection to a GPI port at MIMO Series devices



All product characteristics are subject to variation due to production tolerances. **NEEC AUDIO BARCELONA S.L.** reserves the right to make changes or improvements in the design or manufacturing that may affect these product specifications.

For technical requests address to your supplier, distributor or fill the contact form in our website, at Support / Technical Request.

Motors, 166-168 08038 Barcelona - Spain - (+34) 932238403 | information@ecler.com | www.ecler.com