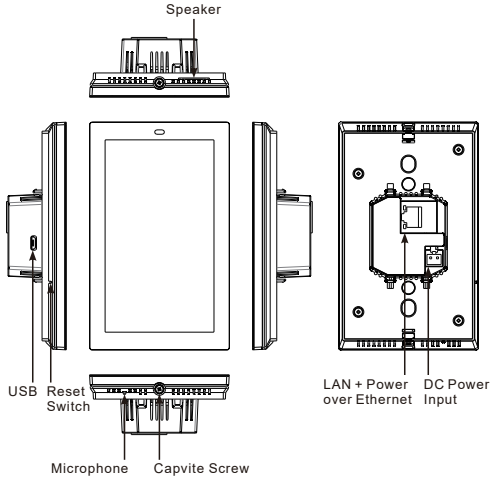


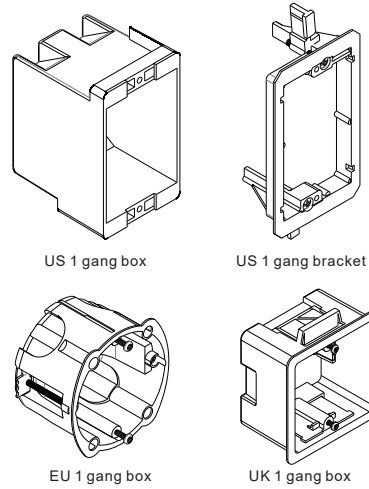
XTouch50 - Overview



b. Rough-In

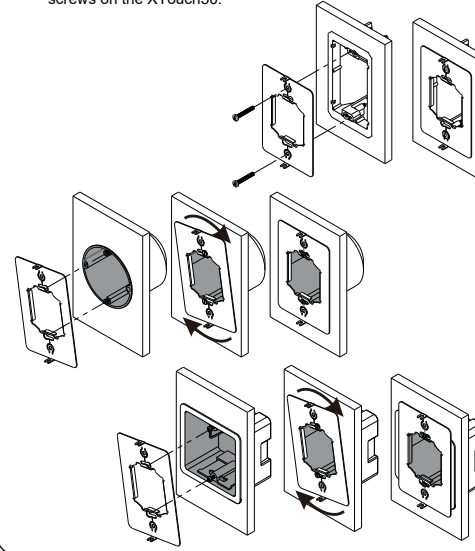
The XTouch50 has been designed to mount to a US standard single gang junction box, low voltage bracket, EU single gang junction box, or UK single gang junction box.

– The XTouch50 mounting bracket, included in the box, should be attached to the US single gang bracket/ US junction box with the screws supplied. The XTouch50 attaches to the included bracket via 2 captive screws located at the top and bottom of the XTouch50.



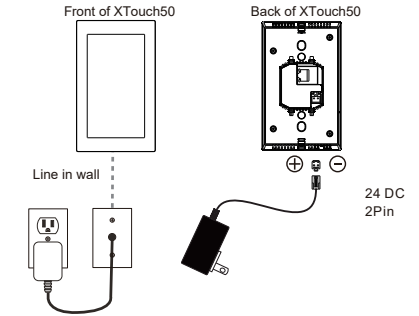
e. Installing the XTouch50 mounting bracket

- Using the included screws mount the mounting bracket onto the US 1 gang junction box, low voltage bracket.
- To install on EU/ UK 1 gang junction box, loosen out the screws on the gang box first, then install and rotate the mounting bracket.
- Verify that the bracket is level before tightening the captive screws on the XTouch50.



24v Power Supply

- By utilizing a 24v power supply (not included) to power the XTouch50 you may provide power locally or remotely. If powering locally be sure to run the wire through the wall in accordance with local codes. If powering remotely be sure to use wire of adequate gauge for the length of the run.
- Verify the polarity of the 2 Pin connector on your power supply prior to connecting to the XTouch50. The right pin of the XTouch50 Power Connector is positive and the left pin is negative. If the wire is to be extended ensure compliance with local codes.
- Plug the connector into the XTouch50 DC jack on the back of the XTouch50.



Planning the installation

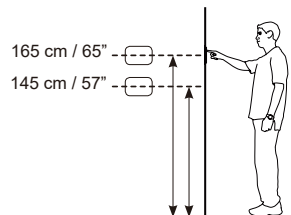
The XTouch50 is designed to be wall mounted in either Portrait or Landscape orientation.

The XTouch50 requires a minimum mounting depth of 1" (2.45cm) from the front surface plus room for cable/s. Power may be supplied by Power Over Ethernet (PoE) or by a 24v DC power supply (not included). PoE must meet the IEEE 802.3af standard. Direct power via a 24v DC external power supply requires a minimum current output of 0.5A. The XTouch50 connects to the local network via a hard wired Ethernet connection.

1 Installing the XTouch50

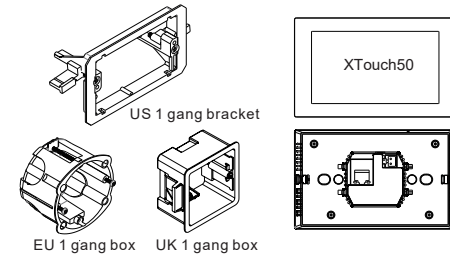
a. Mounting height

- The recommend mounting height for the XTouch50 is 57" - 65" (145 cm - 165 cm) above the finished floor.



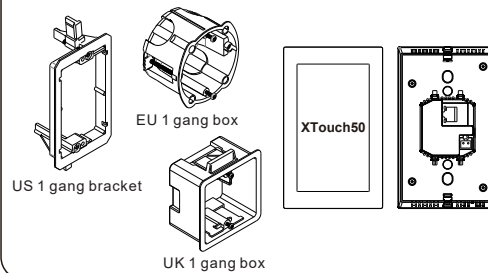
c. Landscape Mounting

- Install the single gang junction box or low-voltage bracket horizontally - with XTouch50 mounting screw holes on the left and right sides.



d. Portrait Mounting

- Install the 1 gang box junction box or low-voltage bracket in it's normal orientation - with mounting screw holes at the top and bottom.

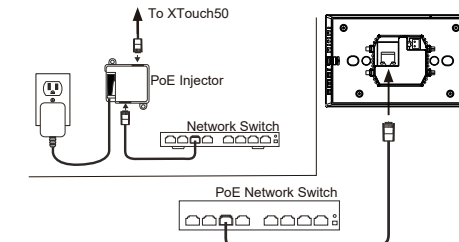


f. Connecting the XTouch to power

- The XTouch50 is designed to be powered over the Ethernet connection (PoE) or by connecting a 24v power supply (not included), but not both. If both the PoE and a 24v power supply are connected the XTouch50 will draw power from the 24v source.

PoE Connection

- PoE connection requires that IEEE 802.3af standard. Utilize a network switch or PoE injector that meets this standard.
- Connect the XTouch50 using a standard T568A or T568B Ethernet cable from the network switch to the LAN/PoE jack on the back of the XTouch50.



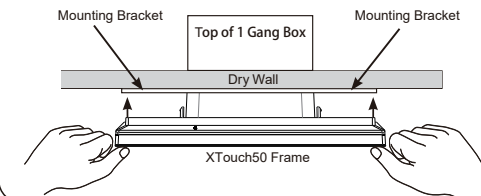
g. Connecting Ethernet

- When not utilizing PoE, it is recommended that you connect the XTouch50 directly to the network switch.
- Utilizing a T568A or T568B network cable connect to the LAN/PoE jack.

h. Installing the XTouch50

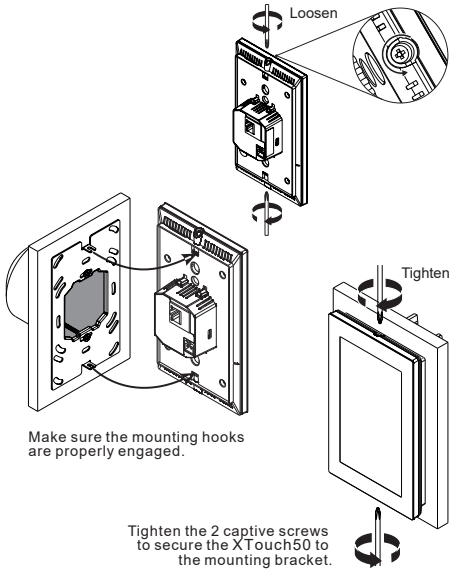
- The XTouch50 snaps in when it's pushed to the mounting bracket, and will be held into the mounting bracket by 2 mounting screws which locate on the left and right sides of the XTouch50 when mounted in landscape mode.
- Orient the XTouch50 for the desired portrait or landscape mounting option.
- To complete the installation, insert the XTouch50 into the included bracket and tighten the 2 captive screws to secure the XTouch50 on the mounting bracket.

CAUTION: DO NOT PRESS DIRECTLY ON THE SCREEN when installing the unit on to the mounting bracket. Press only on the frame edges.



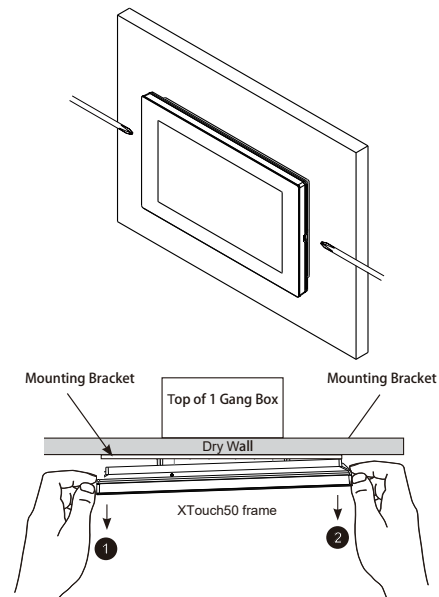
i. Mounting the XTouch50

- Loosen the captive screws of the unit first. Screws should not be moved apart from the unit. (Loosen for 4 loops.)
- Align the mounting bracket hooks with the XTouch50 mounting slots and gently press the XTouch50 unit toward the mounting bracket/wall.



3 Removing the XTouch50

- Using a precision philips head screw driver to loosen the 2 captive screws on the XTouch50, and pull out from the wall by following the step 1 and 2.



Important Safety Instructions

1. Read, understand and follow ALL safety and installation instructions included in this manual. Failure to follow the included documentation may damage the product and will void manufacturer's warranty.
2. Follow ALL installation guidelines included with the product. Installation of the product in high humidity environments, in close proximity to heat sources and / or non-recommended locations WILL impede, interfere and/or damage the intended operation of the product.
3. Only use attachments and accessories which have been specified for use by for use by the manufacturer.
4. The use of abrasive, liquid or solvent based cleaning fluids WILL damage the product.
5. Product Servicing may ONLY be completed by authorized or certified service centers & personnel. For a complete list of product servicing options, please follow instructions included in the product documentation and / or contact original manufacturer for details.

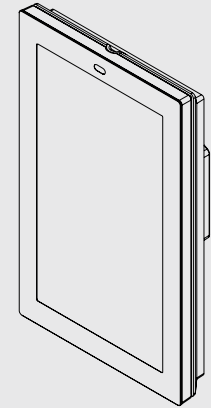
FEDERAL COMMUNICATIONS COMMISSION INTERFERENCE STATEMENT: This equipment has been tested and found to comply with the limits for a Class B digital device, pursuant to part 15 of the FCC Rules.

These limits are designed to provide reasonable protection against harmful interference in a residential installation. This equipment generates, uses and can radiate radio frequency energy and, if not installed and used in accordance with the instructions, may cause harmful interference to radio communications. However, there is no guarantee that interference will not occur in a particular installation. If this equipment does cause harmful interference to radio or television reception, which can be determined by turning the equipment off and on, the user is encouraged to try to correct the interference by one or more of the following measures:

- Reorient or relocate the receiving antenna.
- Increase the separation between the equipment and receiver.
- Connect the equipment into an outlet on a circuit different from that to which the receiver is connected.
- Consult the dealer or an experienced radio/ TV technician for help.

CAN ICES-3 (B) / NMB-3 (B)

XTouch50 - 5" Touch Panel User Interface Quick Install Guide



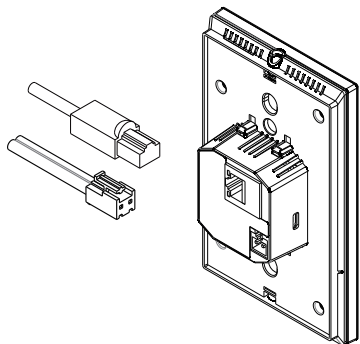
English

V1.1 04.25.18

2 Powering up the XTouch50

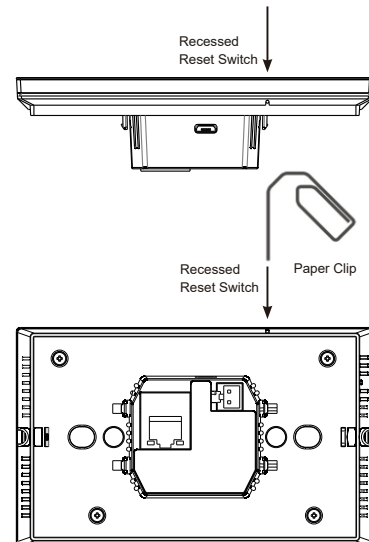
The XTouch50 will automatically power on when power is applied. Wait for the unit to boot up.

- When connected to a switch by Ethernet cable the XTouch50 will acquire a network address via DHCP and automatically connect to the system.
- When it's powered up, the XTouch50 will display a Touchpanel Setup screen.



4 Reset Switch

- Tap the button to reboot the XTouch50.



The XTouch50 has been designed to provide years of trouble free operation when wired and installed properly.

The XTouch50 has been designed for installation in low humidity indoor environments and should never be installed outdoors or in high humidity areas.

Included in the box

- 1ea XTouch50 touch panel
- 1ea XTouch50 mounting bracket
- 2ea Mounting Screws

Introduction

To install the XTouch50 you will also need a standard US 1 gang junction box, or US 1 gang low voltage bracket, or EU 1 gang junction box, or UK 1 gang junction box.