

ePHS30Ti

SPECIALIZED LOUDSPEAKERS

Horn loudspeaker



PRODUCT OVERVIEW

ePHS30Ti is a 30W horn loudspeaker, carefully selected for the most widespread 70/100V applications: paging and background music. It offers durability and an optimal voice and music reproduction. It is made of reinforced ABS and IP66 certified, ideal for high performance outdoors.

KEY FEATURES

- Water-resistant ABS horn loudspeaker
- 30WRMS @ 8Ω
- Power selector @ 100V: 30W / 15W / 7,5W / 3,75W / OFF & 8Ω
- Power selector @ 70V: 30W / 15W / 7,5W / 3,75W / 1,9W & 8Ω
- IP66 certified
- Connection by bare wire
- Light grey finish (RAL 7035)

APPLICATIONS

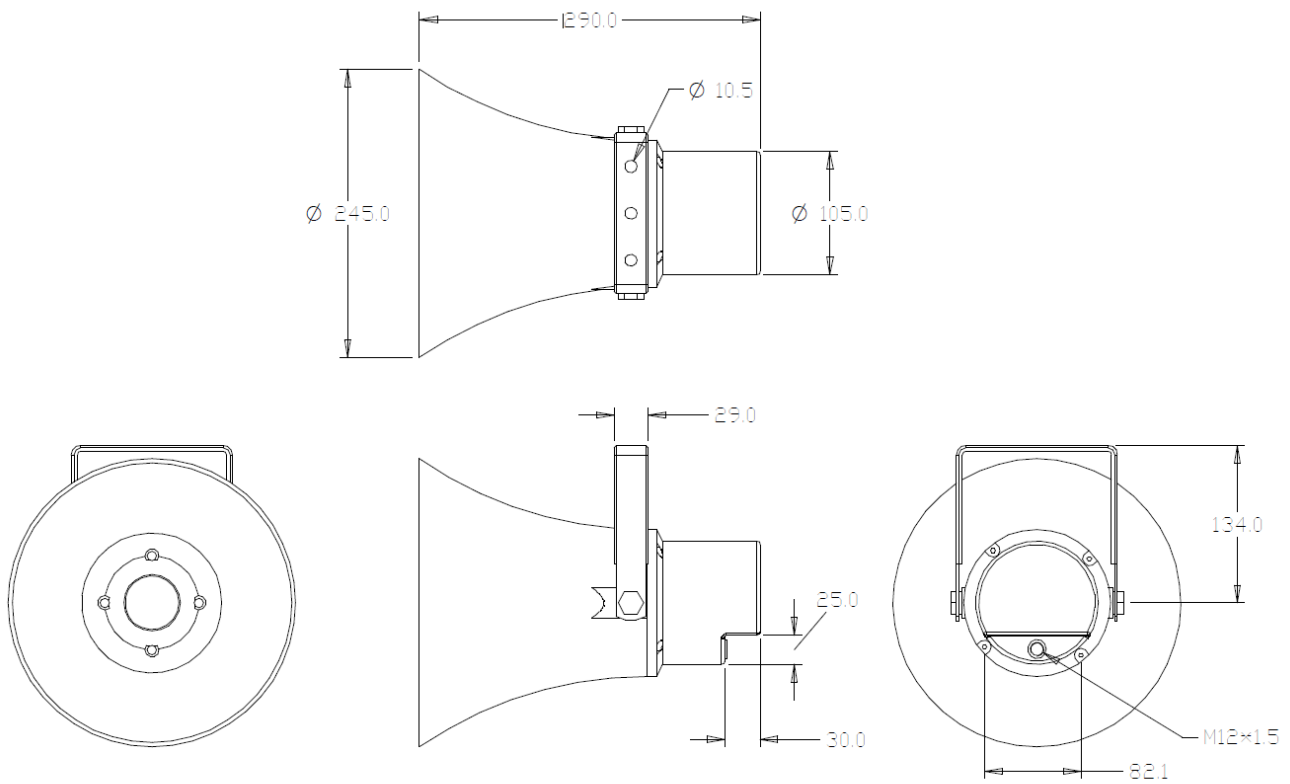
- Commercial
- Corporate
- Leisure

TECHNICAL SPECIFICATIONS

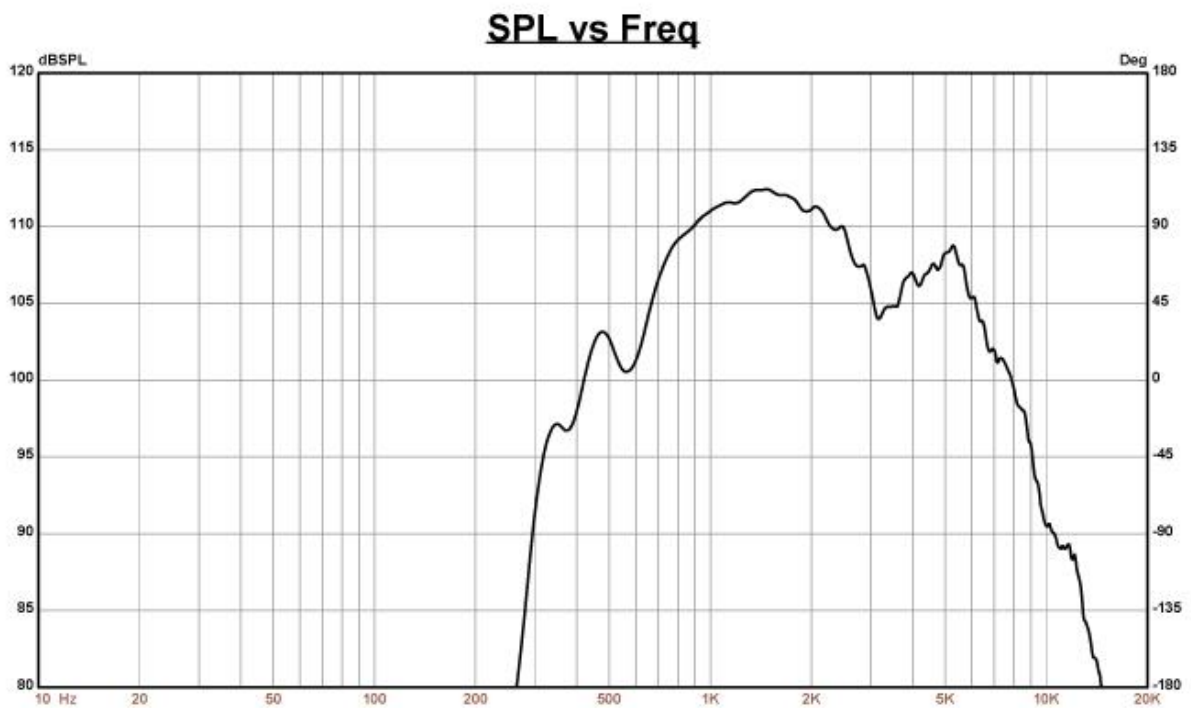
ePHS30Ti

Power	30WRMS @ 8Ω
Power options @ 100V	30W / 15W / 7,5W / 3,75W / OFF & 8Ω
Power options @ 70V	30W / 15W / 7,5W / 3,75W / 1,9W & 8Ω
Frequency response (-3dB)	350 Hz - 8 kHz
Sensitivity 1W/1m	108dB
IP rating	IP66 (IEC60529 Certified)
Finished color	Light grey (RAL 7035)
Material	ABS Horn
Operating and storage conditions	Min -20°C (-4°F); Max +60°C (+140°F)
Cord length	350mm / 13.8"
Dimensions (Ø x L)	Ø 246 x 292mm / Ø 9.7" x 11.5"
Weight	2,4 kg. / 5.3 lb. (including accessories)

MECHANICAL DIAGRAMS

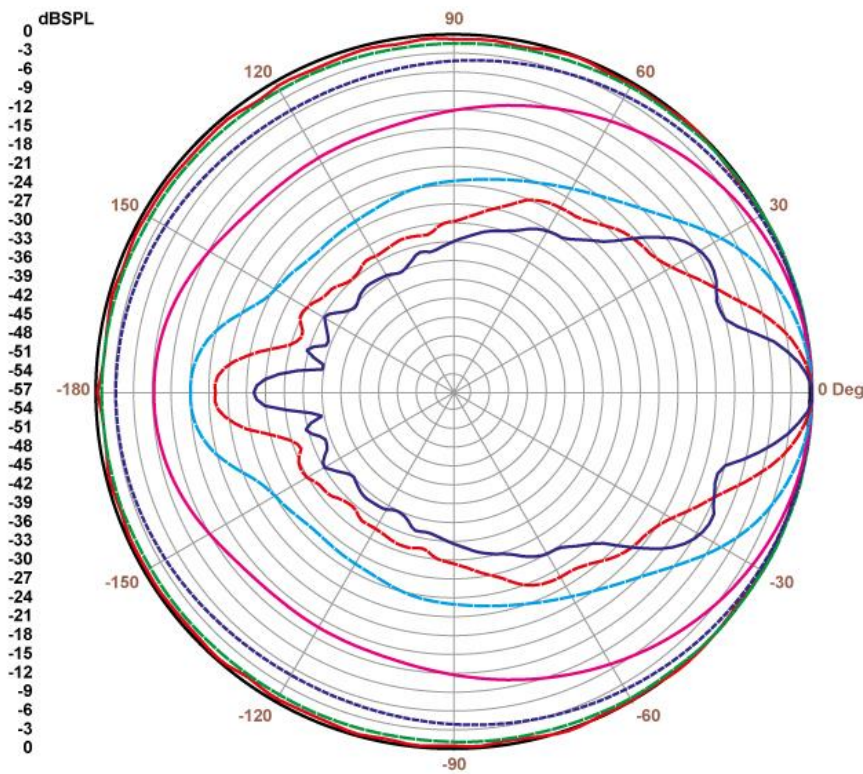


FREQUENCY RESPONSE DIAGRAMS



POLAR DIAGRAMS

SPL vs Angle



Curve	Freq	BW	Q	DI
— (Red)	125.00	360	1.0	0.0
— (Green)	250.00	360	1.0	0.0
- - - (Blue)	500.00	360	1.0	0.0
— (Magenta)	1.00K	107	3.4	5.3
— (Cyan)	2.00K	50	7.2	8.5
— (Orange)	4.00K	26	13.8	11.4
— (Dark Blue)	8.00K	18	19.9	13.0



All product characteristics are subject to variation due to production tolerances. **NEEC AUDIO BARCELONA S.L.** reserves the right to make changes or improvements in the design or manufacturing that may affect these product specifications.

Motors, 166-168 08038 Barcelona - Spain - (+34) 932238403 | information@ecler.com | www.ecler.com