



Scan for full manual

## KDS-8 Quick Start Guide

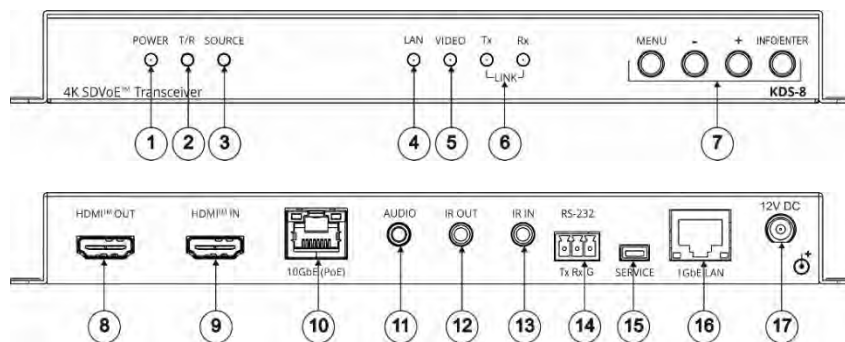
This guide helps you install and use your KDS-8 for the first time.

Go to [www.kramerav.com/downloads/KDS-8](http://www.kramerav.com/downloads/KDS-8) to download the latest user manual and check if firmware upgrades are available.

### Step 1: Check what's in the box

- KDS-8 4K SDVoE™ Transceiver
- 12V DC power adapter
- 4 rubber feet
- Quick start guide

### Step 2: Get to know your KDS-8



#	Feature	Function	
1	POWER LED	Lights when the device is powered ON.	
2	T/R LED	Encoder mode: Lights green. Decoder mode: Lights amber.	
3	SOURCE LED	Decoder mode: Lights when the HDMI input is live and selected.	
4	LAN LED	Lights when the 1GbE LAN connection is active.	
5	VIDEO LED	Encoder mode: Lights when HDMI input signal is detected. Decoder mode: <ul style="list-style-type: none"> <li>Genlock mode – Lights when streaming video is detected.</li> <li>FastSwitch mode – Lights constantly.</li> </ul>	
6	LINK Tx and Rx LEDs	Lights to indicate data transmission and reception activity over the 10GbE streaming connection.	
7	OSD Navigation Buttons	MENU	Press to enter the OSD menu, or to exit menu items.
		+	When in OSD: Press to move up or adjust selections. When not in OSD: <ul style="list-style-type: none"> <li>Press and hold both buttons simultaneously for 10 seconds to change the mode from encoder to decoder or decoder to encoder.</li> </ul>
		-	When in OSD: Press to move down or adjust selections.
		INFO/ENTER	When in OSD menu: Press to confirm a selection or to go deeper into a menu item. Not in a menu: Press to activate the Information OSD.
8	HDMI OUT Connector	Encoder mode: Connect to a video acceptor for local viewing of the video source connected to HDMI IN. Decoder mode: Connect to a video acceptor for viewing the video streamed from the encoder.	
9	HDMI IN Connector	Encoder mode: Connect to a video source for streaming. Decoder mode: Connect to a video source for a local video input.	
10	10GbE (PoE) RJ-45 Connector	Connect to another SDVoE™ unit or to another device for streaming video.	

#	Feature	Function
11	AUDIO 3.5mm Jack	Encoder mode: Connect to an unbalanced analog audio source for embedding audio in the streaming signal. Decoder mode: Connect to an unbalanced analog audio acceptor for de-embedding audio from the streaming signal.
12	IR OUT 3.5mm Jack	Connect to a 38kHz IR transmitter for transmitting the IR signal that was extended via the streaming line. For example, connect to an IR transmitter to control a display.
13	IR IN 3.5mm Jack	Connect to a 38kHz IR sensor for extending the IR signal via the streaming line.
14	RS-232 3-Pin Terminal Block	Connect to a serial controller or serial controlled device for extending the serial control signal via the streaming line to control an external device.
15	SERVICE Mini USB Connector	For internal use.
16	1GbE LAN RJ-45 Connector	Connect to a 1G device.
17	12V DC Connector	Connect to the power adapter.

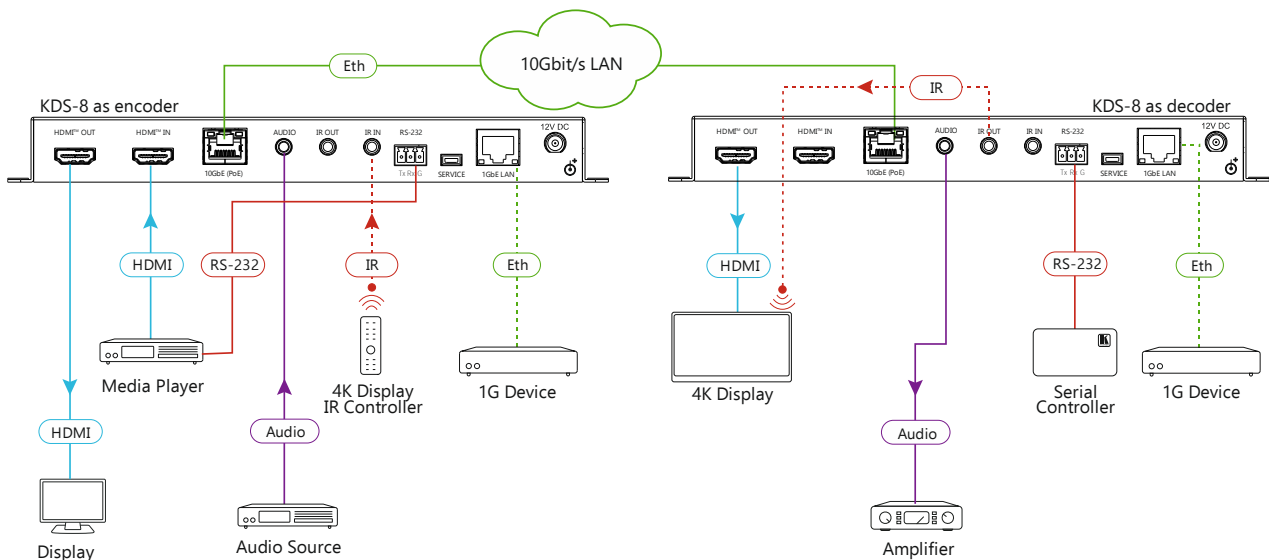
The terms HDMI, HDMI High-Definition Multimedia Interface, and the HDMI Logo are trademarks or registered trademarks of HDMI Licensing Administrator, Inc.

## Step 3: Install the KDS-8

Mount to a flat surface using the attached mounting brackets or place on a flat surface.

## Step 4: Connect the inputs and outputs

Always switch OFF the power on each device before connecting it to your **KDS-8**. For best results, we recommend that you always use Kramer high-performance cables to connect AV equipment to the **KDS-8**.



## Step 5: Connect the power

Connect to a 10G Ethernet switch that provides PoE (Power over Ethernet) or connect the power cord to **KDS-8** and plug it into the mains electricity.

### Safety Instructions



- Caution:** There are no operator serviceable parts inside the unit.
- Warning:** Use only the power cord that is supplied with the unit.
- Warning:** Do not open the unit. High voltages can cause electrical shock! Servicing by qualified personnel only.
- Warning:** Disconnect the power and unplug the unit from the wall before installing.

See [www.KramerAV.com](http://www.KramerAV.com) for updated safety information

## Step 6: Operate the KDS-8

### Change the encoder / decoder mode:

The unit is defined as an encoder by default.

- Press and hold the + (plus) and – (minus) buttons simultaneously for 10 seconds. The encoder / decoder mode changes.

### Stream Video:

1. Connect a unit in encoder mode and a unit in decoder mode to the same 10G Ethernet switch. **KDS-8** is plug-and-play with DHCP enabled.
2. Subscribe the decoder to the encoder source using Kramer Network Enterprise Management Platform (go to [www.kramerav.com/product/Kramer\\_Network](http://www.kramerav.com/product/Kramer_Network) for more information).