

The PTH-1 Projector Bracket Kit

Congratulations on purchasing your Kramer **PTH-1** column mount, which is ideal for mounting Kramer TOOLS™ and Kramer Pico TOOLS™ around a projector column (of 1" to 2" in diameter).

You can add one of the optional kits (defined in [Table 1](#)) to the **PTH-1**:

Table 1: Optional Wing Kits

P/N	Ordering Codes	Description	For mounting:
60-100499	KIT-PTH-1(G)-SEC-SHELF	PTH-1 Second Wing (G)	Kramer TOOLS™, Kramer Pico TOOLS™, 1/8U Extrusion and 1/4U Extrusion units
60-100299	KIT-PTH-1(W)-SEC-SHELF	PTH-1 Second Wing (W)	Kramer TOOLS™, Kramer Pico TOOLS™, 1/8U Extrusion and 1/4U Extrusion units
60-110499	KIT-PTH-1(G)-LONG-SHELF	PTH-1 Long Wing (G)	Kramer Mega TOOLS™ and 1/3U Extrusion units
60-110299	KIT-PTH-1(W)-LONG-SHELF	PTH-1 Long Wing (W)	Kramer Mega TOOLS™ and 1/3U Extrusion units

The **PTH-1** can be installed in the horizontal or vertical position (downwards or upwards, see [Figure 7](#)). [Figure 1](#), [Figure 2](#) and [Table 2](#) define the **PTH-1**:

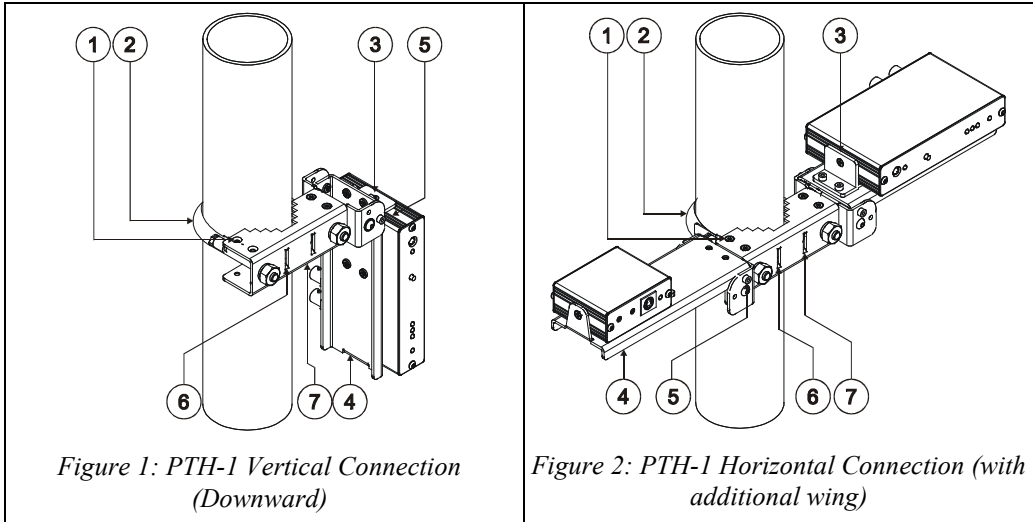


Figure 1: PTH-1 Vertical Connection (Downward)

Figure 2: PTH-1 Horizontal Connection (with additional wing)

Table 2: PTH-1 Features

#	Feature	Function
1	Wing Conical M3x5 Screws (4)	Four screws (on each side) for attaching the wing to the hinge
2	U-type Screw/Hose Clamp (supplied)	Supports the PTH 1 when mounted on the column
3	Tool bracket (1 per wing)	Set in the correct position for connecting a Kramer TOOLS™ and/or Pico TOOLS™ unit
4	Wing	PTH-1 includes one wing; an optional wing can be added (see Table 1)
5	Locking Allen Screws	To change the wing position, remove the two Allen screws from the wing sides, turn the wing to the desired position and tighten screws
6	Hose Clamp Gaps	When using the U-band, thread the band through the gaps
7	Hinge	Supports one or two wings and is attached to the pole

Mounting the PTH-1

The hinge (with one or two wings attached) is mounted on the projector column by fastening the Hose Clamp around the projector column (see [Figure 3](#)), or, when using the U-type screw, by tightening the screw nuts to fix the **PTH-1** in place (see [Figure 4](#)).

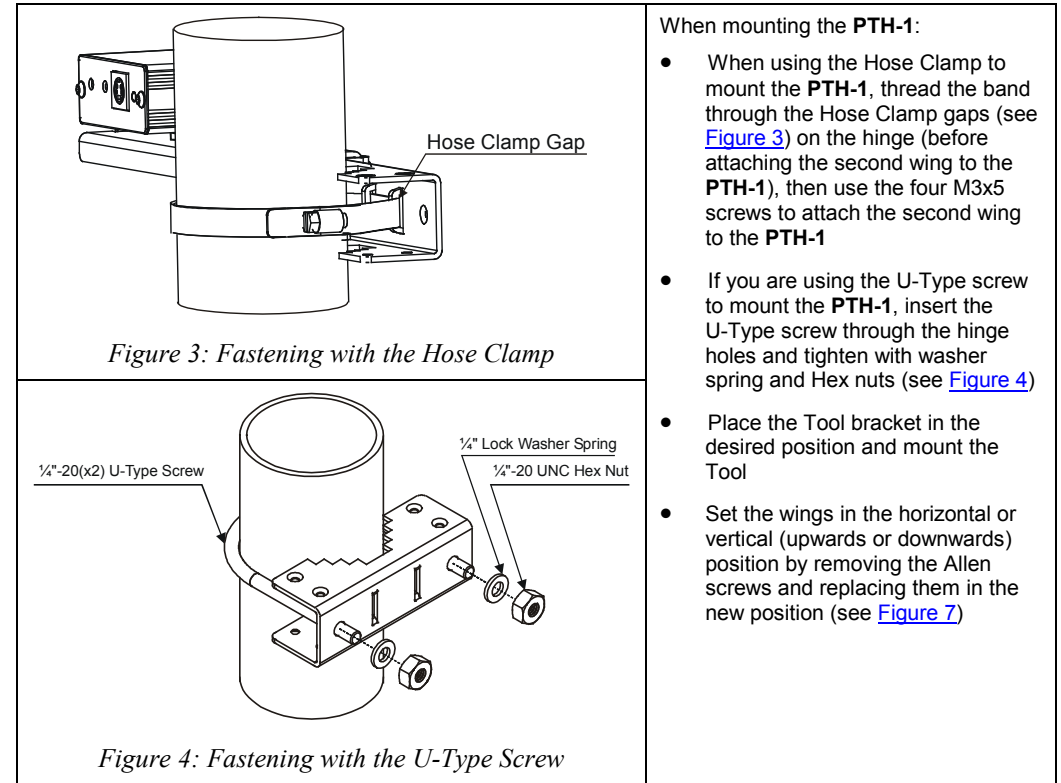


Figure 3: Fastening with the Hose Clamp

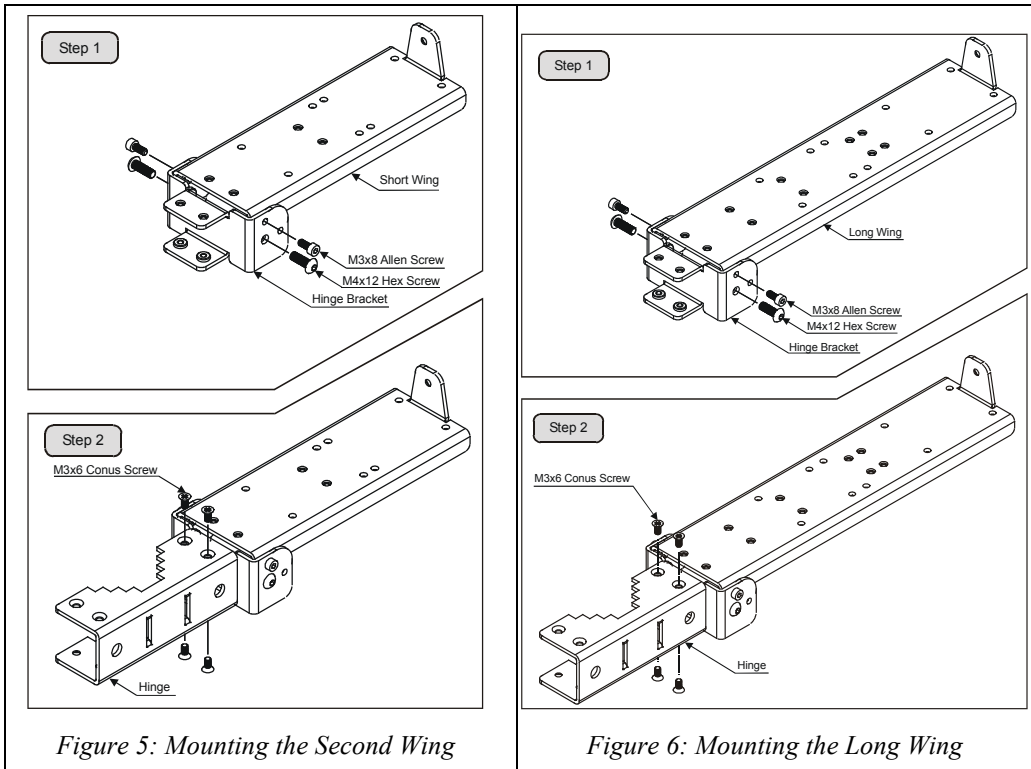
Figure 4: Fastening with the U-Type Screw

When mounting the **PTH-1**:

- When using the Hose Clamp to mount the **PTH-1**, thread the band through the Hose Clamp gaps (see [Figure 3](#)) on the hinge (before attaching the second wing to the **PTH-1**), then use the four M3x5 screws to attach the second wing to the **PTH-1**
- If you are using the U-Type screw to mount the **PTH-1**, insert the U-Type screw through the hinge holes and tighten with washer spring and Hex nuts (see [Figure 4](#))
- Place the Tool bracket in the desired position and mount the Tool
- Set the wings in the horizontal or vertical (upwards or downwards) position by removing the Allen screws and replacing them in the new position (see [Figure 7](#))

Mounting the Second Wing

To mount the second wing, first connect the Hinge bracket to the second wing and then connect the hinge bracket to the hinge, as illustrated in [Figure 5](#) for the second wing, and in [Figure 6](#) for the long wing:



[Figure 7](#) shows how to set a wing to the horizontal or vertical position:

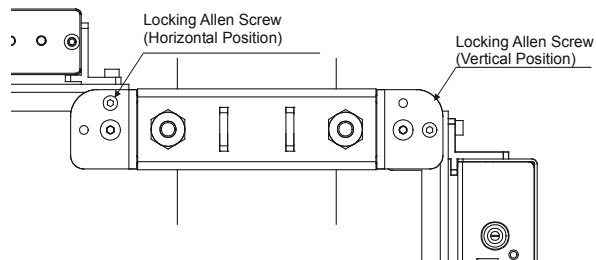


Figure 7: Setting the Wing Position



PTH-1 Column Mounting Installation Instructions

Designed for:
Kramer TOOLS™
Kramer Pico TOOLS™
Kramer 1/8U, 1/4U and 1/3U Extrusion TOOLS™
Kramer Mega TOOLS™

For the latest information on our products and a list of Kramer distributors, visit our
Web site: www.kramerelectronics.com



Kramer Electronics, Ltd.

Web site: www.kramerelectronics.com

E-mail: info@kramerel.com

P/N: 2900-000574 REV 3