

Installing the TBUS-5i Insert Plate

The **TBUS-5i Insert Plate** (see Figure 1) is designed as a replacement for the connecting surface of the **TBUS-5**, letting you install Kramer inserts and modules¹ according to your needs:

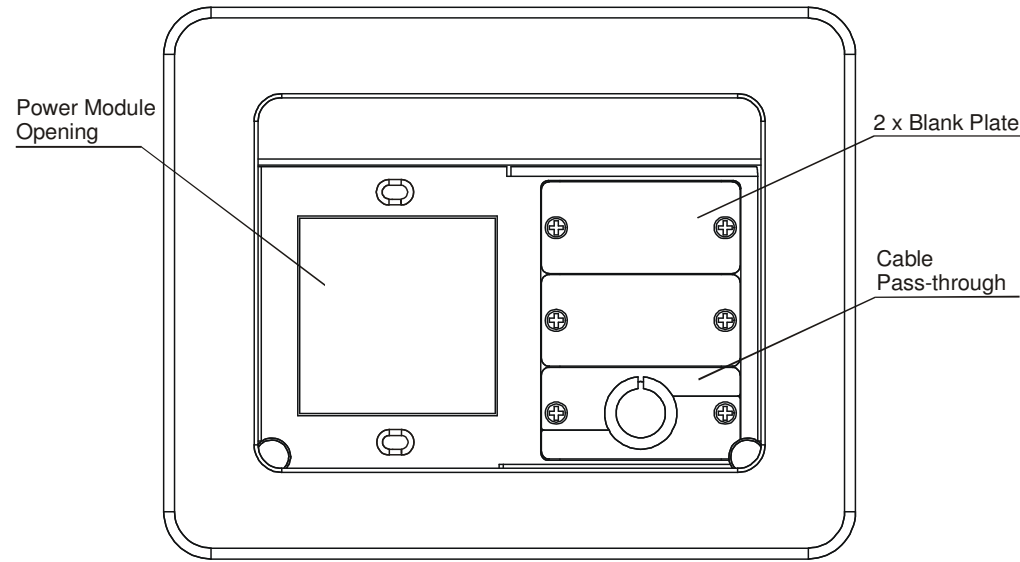


Figure 1: The Insert Plate

The inserts can be installed before or after installing the **TBUS-5i** unit.

To mount an insert, do the following:

1. Unscrew the blank insert plate
2. Place and align the insert under the opening, insert the two screws to fix the insert in place, and tighten them.

To install the **TBUS-5i Insert Plate**, do the following:

1. Remove the five height adjustment screws (see item 5 in Table 1 of the **TBUS-5** user manual) on the sides of the enclosure while supporting the surface from underneath with your hand (keep the screws).
2. Take out the connecting surface.

3. Unscrew the two power module screws that fasten the power module to the connecting surface, keep the screws, and remove the power module from below.
4. Insert the power module into the designated opening (make sure you place the power module in the correct position) on the *Insert Plate* and tighten with the two power module screws.
5. Place the *Insert Plate* inside the enclosure, and raise or lower the connecting surface to the required height. Fasten the screws, and tighten them in place.

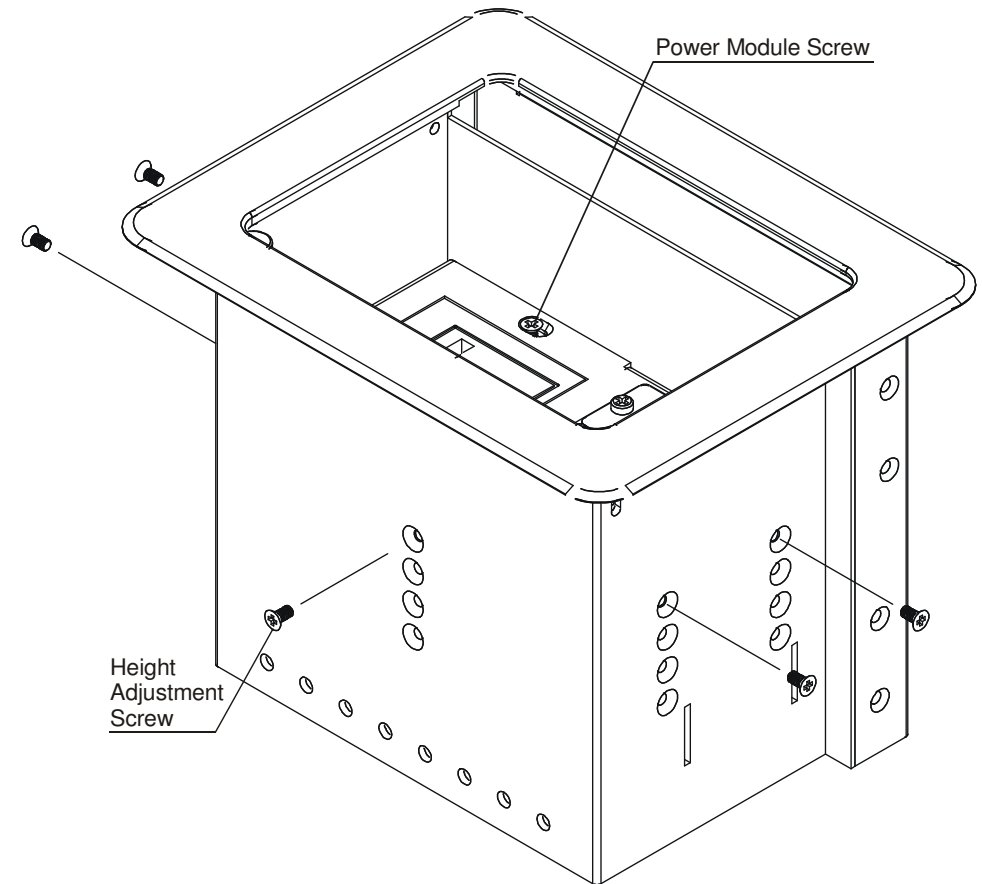
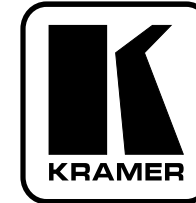


Figure 2: Removing the Height Adjustment Screws

¹ The complete list of Kramer inserts and interfaces is on our Web site at www.kramerelectronics.com



TBUS-5i "Insert Plate" Installation Instructions

For the latest information on our products and a list of Kramer distributors, visit our
Web site: www.kramerelectronics.com



Kramer Electronics, Ltd.
Web site: www.kramerelectronics.com
E-mail: info@kramerel.com
P/N: 2900-001205 REV 1